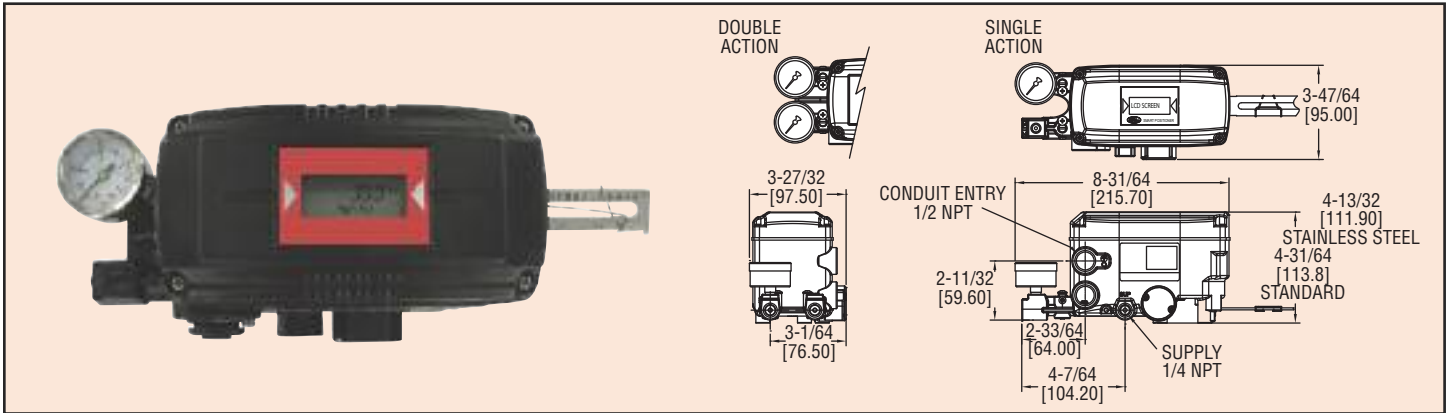




Series  
185

# Linear Smart Positioner

Low Cost, Linear Operation, Hart® Communication



**Series 185 Smart Positioners** combine an easy to use, high performance unit with a low price. Series 185 models accurately control the valve stroke of linear motion valves, such as W.E. Anderson globe or gate valves, according to an input signal of 4 to 20 mA from the controller. Its rugged, durable aluminum or available stainless steel construction makes it ideal for harsh environments. The NEMA 4X (IP66) enclosure rating protects the highly efficient microprocessing unit inside the Smart Positioner. An analog feedback signal is outputted to stabilize any valve system, and easy to use functions such as auto calibration ensure the accuracy of the unit. Low air consumption reduces operating cost, but does not sacrifice the performance of the Smart Positioner. The compact design of this unit makes it easy to use with any size actuator. Smart Positioners feature a LCD screen attached to the outer surface of the unit, allowing for an easy inspection of the positioner condition while in the field. Available in single or double action, with Hart® communication as standard.

## SPECIFICATIONS

- Input Signal:** 4 to 20 mA DC.
- Input Impedance:** 460 Ω max @ 20 mA DC.
- Enclosure:** See model chart.
- Air Supply:** 35 to 116 psi (3.5 to 9 bar).
- Air Connection:** 1/4" NPT.
- Gage Connection:** 1/8" NPT.
- Conduit Connection:** 1/2" NPT.
- Linearity:** ±0.5% FS.
- Hysteresis:** ±0.5% FS.
- Sensitivity:** ±0.2% FS.
- Repeatability:** ±0.3% FS.
- Air Consumption:** .0004 scfm (.01 LPM) at 20 psig (1.4 bar) supply.
- Flow Capacity:** 2.1 scfm (60 LPM) at 20 psig (1.4 bar) supply.
- Stroke:** 0.5 to 6" (10 to 150 mm).
- Enclosure Rating:** NEMA 4X (IP66).
- Operating Temperature:** -22 to 185°F (-30 to 85°C).
- Weight:** 3.3 lb (1.5 kg); SS models: 6.4 lb (2.9 kg).

Model	Action	Communication	Enclosure
185NL-S1	Single	HART®	Aluminum diecast
185NL-D1	Double	HART®	Aluminum diecast
185NL-S1SS	Single	HART®	Stainless steel
185NL-D1SS	Double	HART®	Stainless steel

VALVES

Positioners

HART® is a registered trademark of Hart Communication Foundation.

CALL TO ORDER: U.S. Phone 219 879-8000 • U.K. Phone (+44) (0)1494-461707 • Australia Phone (+61) (0) 2 4272 2055 xxx