

Allgemeine Beschreibung

Die Smart Valves Serie an Pneumatik- und Magnetventilen dient der Ansteuerung von pneumatischen Schwenktrieben, Zylindern, Axialventilen, Schrägsitzventilen usw. Man verwendet sie zumeist auf Anschlussblöcken, Platten oder für Schaltschrankbau. Von hier erfolgt dann eine Verbindung über Druckluftschläuche oder Rohrleitung zu den Antrieben oder Zylindern, welche somit aus der Ferne gesteuert werden können.

Dies ist besonders von Vorteil, falls die Schwenktriebe oder Zylinder unter besonderen Bedingungen betrieben werden, so z.B. bei hohen Temperaturen, aggressiver Umgebung, starker Verschmutzung oder in explosionsfähiger Atmosphäre.

Die ACG Ventile zeichnen sich besonders aus durch:

- Kompakte und ansprechende Proportionen
- Hohe Durchflussleistung
- Geringer Stromverbrauch
- Geringes Gewicht
- Gehäuse aus eloxiertem Aluminium, Farbe schwarz
- Höchste Präzision bei der Ausführung der internen Bearbeitung garantiert lange Lebensdauer
- Geräterestecker LED mit Schutzgrad IP65 (Standard) oder Geräterestecker schwarz IP67 mit vergossenem Kabel (Optional) nach DIN EN ISO 60529
- 4 verschiedene Gehäusegrößen mit 4 verschiedenen Durchflusswerten (CV 0.31-0.78-1.40-2.79)
- Manuelle Notbetätigung mit bequemer „Push“-Taste oder Schraubenzieher bedienbar, arretierbar in der Stellung
- Auswahl an Spulen für Standardanwendungen, Ex-Schutz sowie Niedrig-Watt-Anwendungen erhältlich
- Schrauben zur Befestigung des Magnetventils sowie O-Ringe im Lieferumfang enthalten
- Verpackt im lagerfreundlichem Karton mit ablesbarer Spulenspannung

General description

The Smart Valves Series of pneumatic and solenoid valves are widely used for controlling of pneumatic actuators, cylinders, axial valves, angle valves, etc. They are mostly mounted on sub-bases, plates or in cabinets. From here there is a direct connection to the actuators or cylinders throughout pressure tubes allowing a remote control of the units.

This is especially advantageous, if the actuators or cylinders are working at special conditions, e.g. high temperatures, aggressive surroundings, dirty areas or potentially explosive atmospheres.

The ACG valves present following features:

- Compact and beautiful proportions
- High flow rates
- Low power consumption
- Low weights
- Body in anodized aluminium, black colour
- High precision working of internal surfaces guarantee long service life
- LED connector with enclosure IP65 (standard) or black connector IP67 with moduled cable (optional) according DIN EN 60529
- 4 different valve body sizes with 4 different flow capacities (CV 0.31-0.78-1.40-2.79)
- Manual override with easy push knob or for screwdriver operation, arrestable in position
- Different coils for standard applications, explosion-proof as well as low watt applications
- Screws for fixing of solenoid valve as well as O-rings are part of standard equipment
- Packed in a stocking-friendly box with indication of coil tension

Descrizione generale

La serie di elettrovalvole e pneumatiche Smart Valves serve per azionare attuatori pneumatici, cilindri, valvole assiali, valvole inclinate ... Sono normalmente montati su sottobasi a posti multipli oppure in armadi di controllo. Da qui vengono collegate con gli attuatori o cilindri tramite tubi per aria compressa.

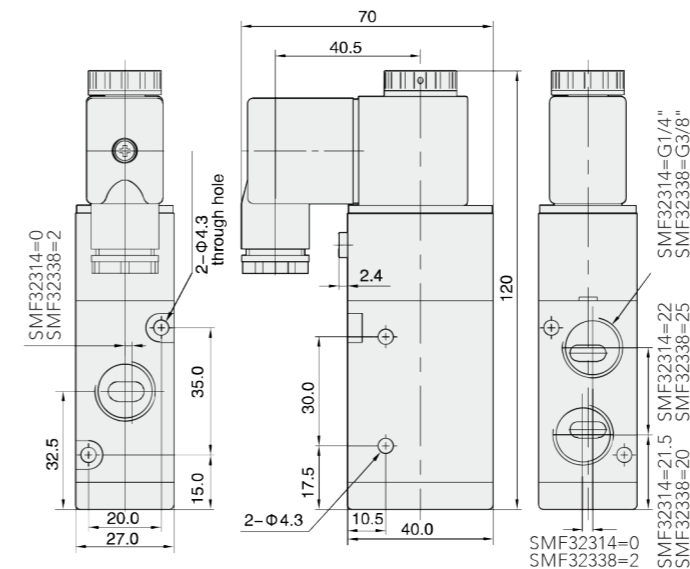
Questo è di grande vantaggio in casi gli attuatori o cilindri fossero montati in ambienti particolari, p.es. ad alte temperature, ambienti aggressivi, arie sporche oppure ambienti potenzialmente esplosivi.

Le valvole ACG presentano le caratteristiche:

- Proporzioni ridotti e belli
- Portata elevata
- Consumo di corrente ridotto
- Peso ridotto
- Corpo in alluminio anodizzato, colore nero
- La lavorazione precisa interna garantisce una lunga vita operativa
- Connettore LED con protezione IP65 (standard) oppure connettore nero IP67 con cavo costampato (opzionale) secondo DIN EN ISO 60529
- 4 misuri diverse di corpo valvola con 4 portate d'aria diverse (CV 0.31-0.78-1.40-2.79)
- Leva manuale d'emergenza con tasto pulsante e per uso cacciavite, arrestabile nella sua posizione
- Varie bobine per applicazioni standard, antideflagranti nonché applicazioni bassi wattaggi
- Viti di fissaggio elettrovalvola e o-ring fanno parte del corredo standard
- Imballo in cartoncino facile d'immagazzinare, con indicazione delle tensione sull' esterno

Maßzeichnungen

Abmessungen Magnetventil



Dimensional drawing

Dimensions solenoid valves

Disegno ingombri

Dimensioni elettrovalvole



3/2 mit Geräterestecker - 3/2 with connector - 3/2 con connettore

Bestellschlüssel Magnetventile

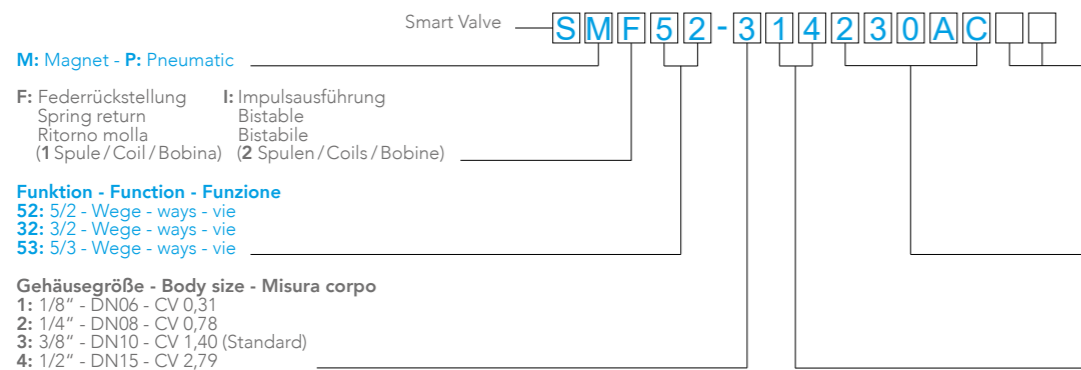
Für Magnetventile auf Platten- oder Ventilinseln / Anschlussblöcken AB.

Code system

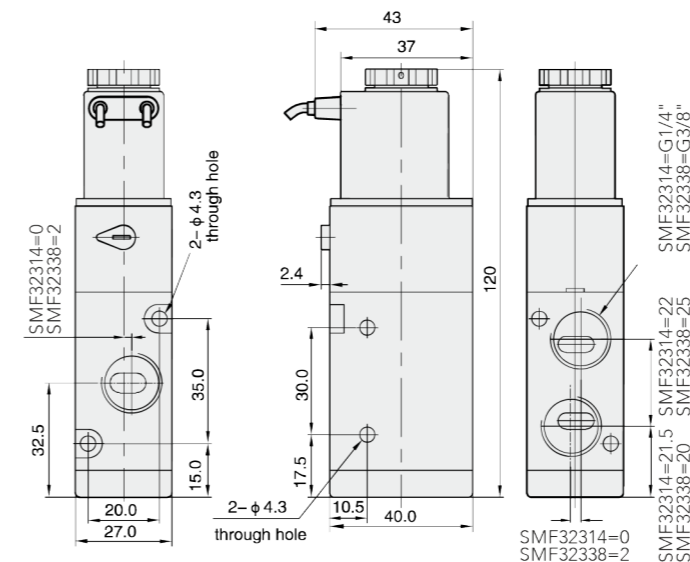
For mounting on plates or manifolds / Sub-bases AB.

Sistema codici

Per montaggio su piastrine o sottobasi a posti multipli AB.



- Zusatz - Addition - Addizione**
- m: EEx m II T4/T5
 - ia: EEx ia IIC T6 (24V DC)
 - nA: EEx nA II T5 (24VDC-110/230VAC)
 - 1m: 1m Kabel; 1m cable; 1m cavo
 - 2m: 2m Kabel; 2m cable; 2m cavo
 - MG: Mittelstellung geschlossen
 - MB: Mittelstellung belüftet
- Spannung - Voltage - Voltggio**
- | | |
|--------|--------|
| 012 DC | 048 AC |
| 024 DC | 115 AC |
| 024 AC | 230 AC |
- Air connection valve**
- 18: 1/8"
 - 14: 1/4" (Standard)
 - 38: 3/8"
 - 12: 1/2"



3/2 mit Litzen - 3/2 with leads - 3/2 con fili

Maßzeichnungen

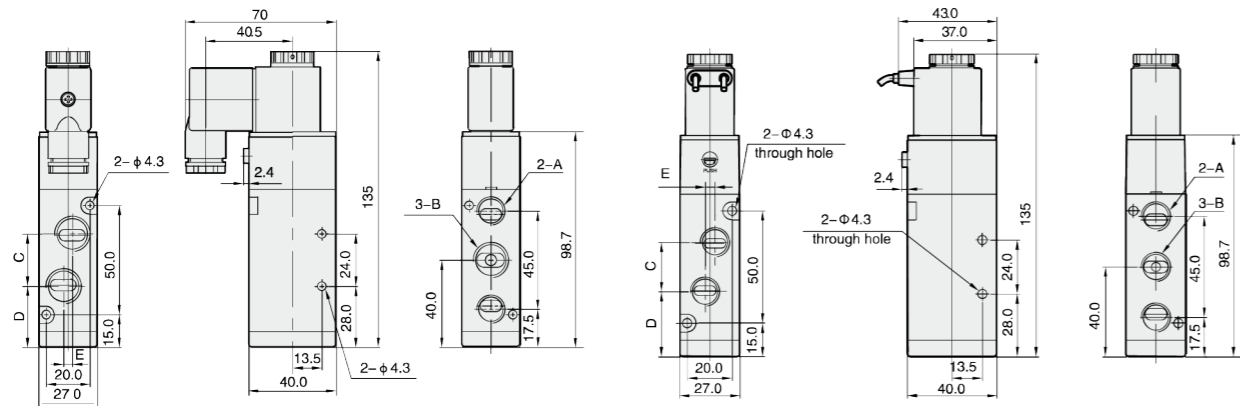
Dimensional drawing

Disegno ingombri

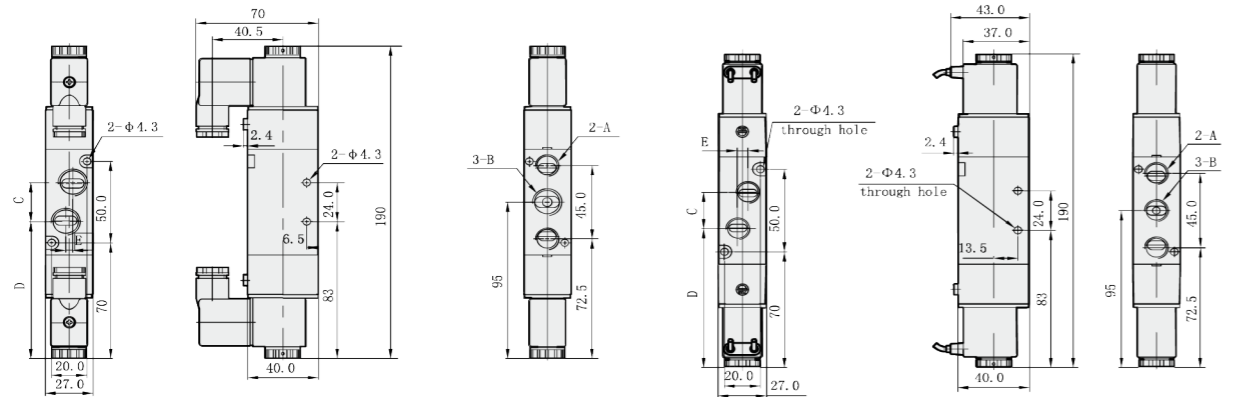
Abmessungen Magnetventil

Dimensions solenoid valves

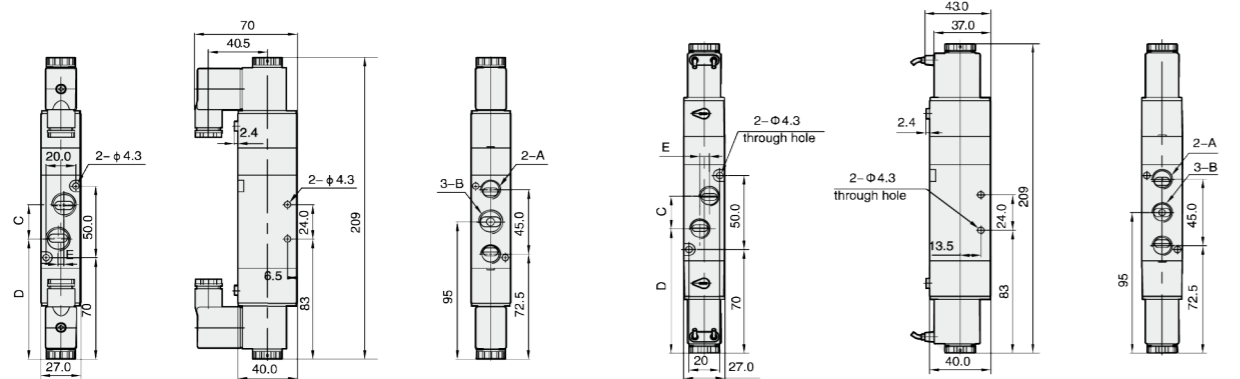
Dimensioni elettrovalvole



	A	B	C	D	E
SMF52314	G1/4	G1/4	24	28	0
SMF52338	G1/4	G3/8	24	28	4



	A	B	C	D	E
SMI52314	G1/4	G1/4	24	83	0
SMI52338	G1/4	G3/8	24	83	4



	A	B	C	D	E
SMI53314	G1/4	G1/4	24	83	0
SMI53338	G1/4	G3/8	24	83	4

Maßzeichnungen

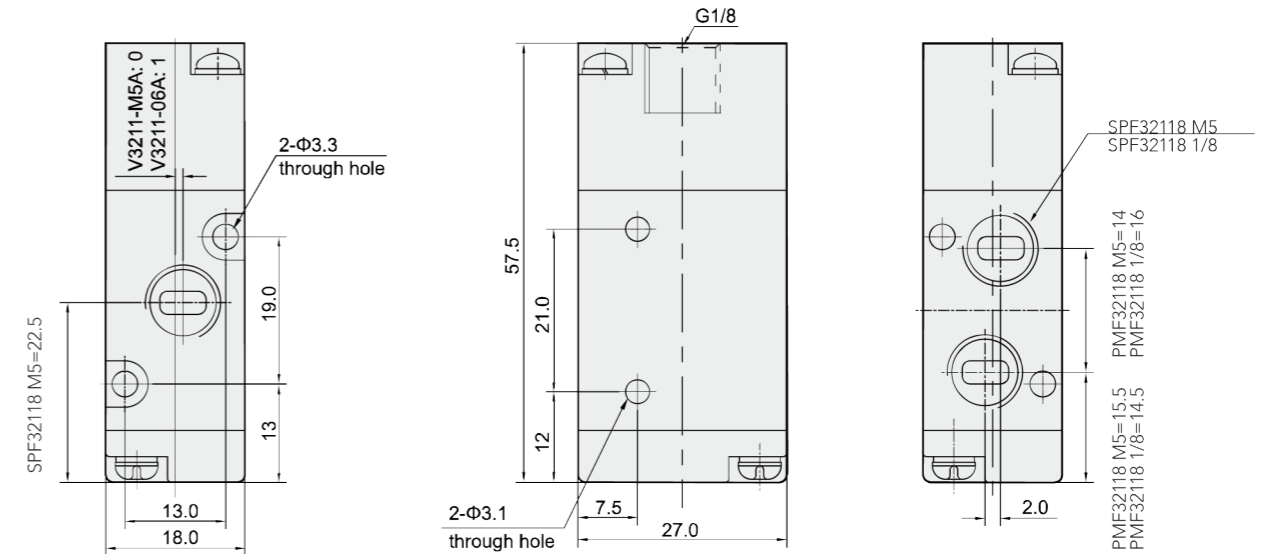
Dimensional drawing

Disegno ingombri

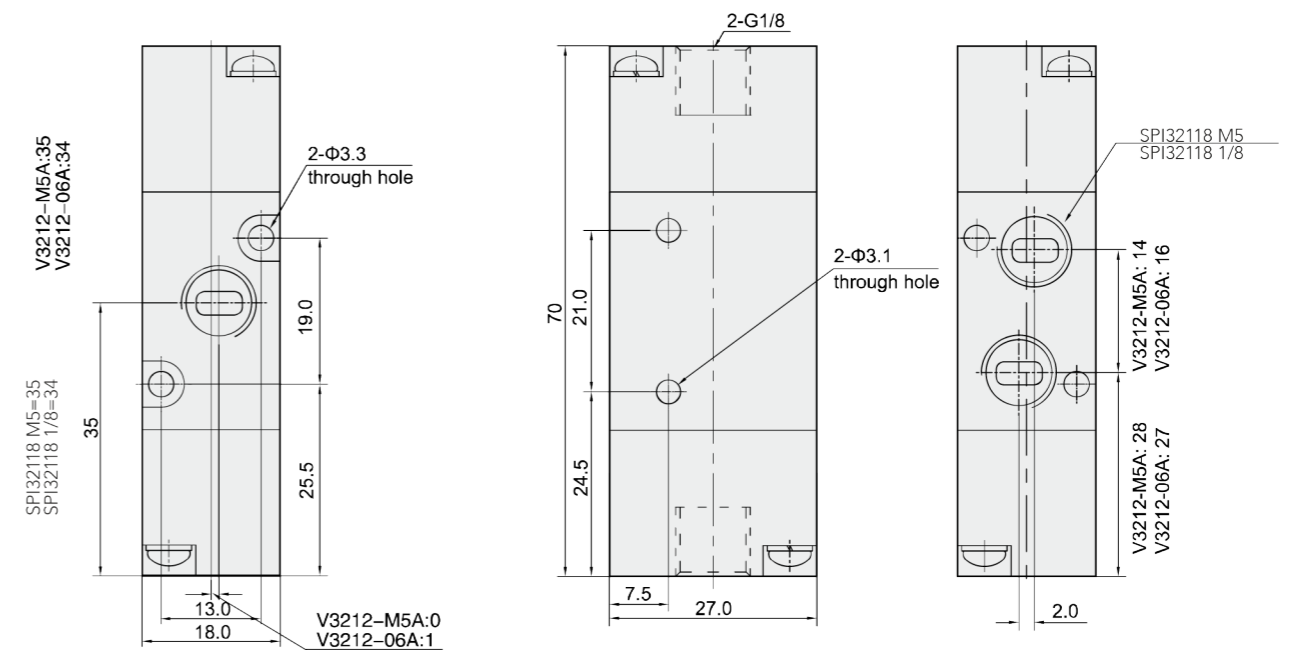
Abmessungen Pneumatikventil

Dimensions pneumatic valves

Dimensioni valvole pneumatiche



• 3/2 Monostabil - 3/2 Single stable - 3/2 Monostabile



• 3/2 Bistabil - 3/2 Bistable - 3/2 Bistabile

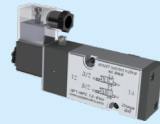
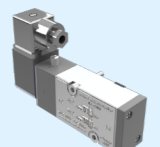


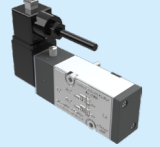
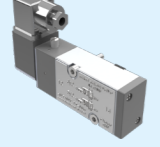
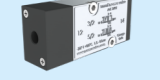
Bild - Picture - Foto	Beschreibung - Description - Descrizione	Art. No.
	<ul style="list-style-type: none"> 5/2-Wege Magnetventil monostabil, Feder, Standardspule. 5/2-ways solenoid valve single stable, spring, standard coil. Elettrovalvola 5/2-vie monostabile, molla, bobina standard. <p>DC: 12-24-36-48-110V 3W (option 2W-0,76W) AC: 12-24-36-48-115-230-380V 5VA</p>	SMF52012DC SMF52024DC SMF52036DC SMF52048DC SMF52110DC SMF52012AC SMF52024AC SMF52036AC SMF52048AC SMF52115AC SMF52230AC SMF52380AC
	<ul style="list-style-type: none"> 5/2-Wege Magnetventil monostabil hochwertigere Version mit Edelstahl-Komponenten, Schutzart IP67, Feder, Standardspule. 5/2-ways solenoid valve single stable in extra high quality version with stainless steel components, enclosure IP67, spring, standard coil. Elettrovalvola 5/2-vie monostabile in versione superiore con componenti in acciaio inox, protezione IP67, molla, bobina standard. <p>DC: 12-24-36-48-110V 3W (option 2W-0,76W) AC: 12-24-36-48-115-230-380V 5VA</p>	SMFE52012DC SMFE52024DC SMFE52036DC SMFE52048DC SMFE52110DC SMFE52012AC SMFE52024AC SMFE52036AC SMFE52048AC SMFE52115AC SMFE52230AC SMFE52380AC
	<ul style="list-style-type: none"> 5/2-Wege Magnetventil monostabil, Feder, Spule ATEX Ex d. 5/2-ways solenoid valve single stable, spring, coil ATEX Ex d. Elettrovalvola 5/2-vie monostabile, molla, bobina ATEX Ex d. <p>DC: 6-12-24-36-48V 3W AC: 12-24-48-100-110-115-120-220-230-240V 5VA</p>	SMF52006DC-d SMF52012DC-d SMF52024DC-d SMF52036DC-d SMF52048DC-d SMF52012AC-d SMF52024AC-d SMF52048AC-d SMF52100AC-d SMF52115AC-d SMF52120AC-d SMF52220AC-d SMF52230AC-d SMF52240AC-d
	<ul style="list-style-type: none"> 5/2-Wege Magnetventil monostabil, Feder, Spule ATEX Ex ia. 5/2-ways solenoid valve single stable, spring, coil ATEX Ex ia. Elettrovalvola 5/2-vie monostabile, molla, bobina ATEX Ex ia. <p>DC: 24V (max. 28V DC) 1.6W NAMUR</p>	SMF52024DC-ia
	<ul style="list-style-type: none"> 5/2-Wege Magnetventil monostabil, Feder, Spule ATEX Ex m. 5/2-ways solenoid valve single stable, spring, coil ATEX Ex m. Elettrovalvola 5/2-vie monostabile, molla, bobina ATEX Ex m. <p>DC: 12-24V 3W AC: 24-48-115-230V 3.2VA</p>	SMF52012DC-m SMF52024DC-m SMF52024AC-m SMF52048AC-m SMF52115AC-m SMF52230AC-m
	<ul style="list-style-type: none"> 5/2-Wege Magnetventil monostabil, Feder, Spule ATEX Ex nA. 5/2-ways solenoid valve single stable, spring, coil ATEX Ex nA. Elettrovalvola 5/2-vie monostabile, molla, bobina ATEX Ex nA. <p>DC: 12-24V 3W, 4.2W, 6.5W AC: 24-110-115-220-230V 7.5VA, 12.5VA (50Hz), 6.5VA, 10.5VA (60Hz)</p>	SMF52012DC-nA SMF52024DC-nA SMF52024AC-nA SMF52110DC-nA SMF52115DC-nA SMF52220DC-nA SMF52230DC-nA
	<ul style="list-style-type: none"> 5/2-Wege Pneumatikventil in monostabiler Ausführung, Feder. 5/2-ways pneumatic valve single stable execution, spring. Valvola 5/2-vie pneumatica in versione monostabile, molla. 	SPF52

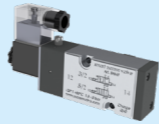
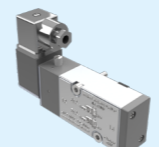
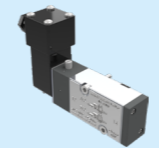

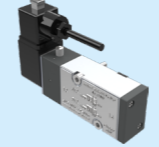

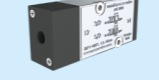
Bild - Picture - Foto	Beschreibung - Description - Descrizione	Art. No.
	<ul style="list-style-type: none"> 3/2-Wege Magnetventil monostabil, Feder, Standardspule. 3/2-ways solenoid valve single stable, spring, standard coil. Elettrovalvola 3/2-vie monostabile, molla, bobina standard. <p>DC: 12-24-36-48-110V 3W (option 2W-0,76W) AC: 12-24-36-48-115-230-380V 5VA</p>	SMF32012DC SMF32024DC SMF32036DC SMF32048DC SMF32110DC SMF32012AC SMF32024AC SMF32036AC SMF32048AC SMF32115AC SMF32230AC SMF32380AC
	<ul style="list-style-type: none"> 3/2-Wege Magnetventil monostabil hochwertigere Version mit Edelstahl-Komponenten, Schutzart IP67, Feder, Standardspule. 3/2-ways solenoid valve single stable in extra high quality version with stainless steel components, enclosure IP67, spring, standard coil. Elettrovalvola 3/2-vie monostabile in versione superiore con componenti in acciaio inox, protezione IP67, molla, bobina standard. <p>DC: 12-24-36-48-110V 3W (option 2W-0,76W) AC: 12-24-36-48-115-230-380V 5VA</p>	SMFE32012DC SMFE32024DC SMFE32036DC SMFE32048DC SMFE32110DC SMFE32012AC SMFE32024AC SMFE32036AC SMFE32048AC SMFE32115AC SMFE32230AC SMFE32380AC
	<ul style="list-style-type: none"> 3/2-Wege Magnetventil monostabil, Feder, Spule ATEX Ex d. 3/2-ways solenoid valve single stable, spring, coil ATEX Ex d. Elettrovalvola 3/2-vie monostabile, molla, bobina ATEX Ex d. <p>DC: 6-12-24-36-48V 3W AC: 12-24-48-100-110-115-120-220-230-240V 5VA</p>	SMF32006DC-d SMF32012DC-d SMF32024DC-d SMF32036DC-d SMF32048DC-d SMF32012AC-d SMF32024AC-d SMF32048AC-d SMF32100AC-d SMF32115AC-d SMF32120AC-d SMF32220AC-d SMF32230AC-d SMF32240AC-d
	<ul style="list-style-type: none"> 3/2-Wege Magnetventil monostabil, Feder, Spule ATEX Ex ia. 3/2-ways solenoid valve single stable, spring, coil ATEX Ex ia. Elettrovalvola 3/2-vie monostabile, molla, bobina ATEX Ex ia. <p>DC: 24V (max. 28V DC) 1.6W NAMUR</p>	SMF32024DC-ia
	<ul style="list-style-type: none"> 3/2-Wege Magnetventil monostabil, Feder, Spule ATEX Ex m. 3/2-ways solenoid valve single stable, spring, coil ATEX Ex m. Elettrovalvola 3/2-vie monostabile, molla, bobina ATEX Ex m. <p>DC: 12-24V 3W AC: 24-48-115-230V 3.2VA</p>	SMF32012DC-m SMF32024DC-m SMF32024AC-m SMF32048AC-m SMF32115AC-m SMF32230AC-m
	<ul style="list-style-type: none"> 3/2-Wege Magnetventil monostabil, Feder, Spule ATEX Ex nA. 3/2-ways solenoid valve single stable, spring, coil ATEX Ex nA. Elettrovalvola 3/2-vie monostabile, molla, bobina ATEX Ex nA. <p>DC: 12-24V 3W, 4.2W, 6.5W AC: 24-110-115-220-230V 7.5VA, 12.5VA (50Hz), 6.5VA, 10.5VA (60Hz)</p>	SMF32012DC-nA SMF32024DC-nA SMF32024AC-nA SMF32110DC-nA SMF32115DC-nA SMF32220DC-nA SMF32230DC-nA
	<ul style="list-style-type: none"> 3/2-Wege Pneumatikventil in monostabiler Ausführung, Feder. 3/2-ways pneumatic valve single stable execution, spring. Valvola 3/2-vie pneumatica in versione monostabile, molla. 	SPF32

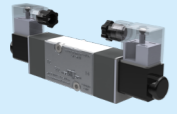
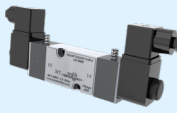
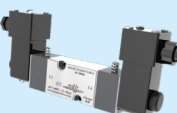
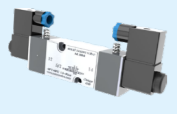
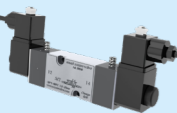
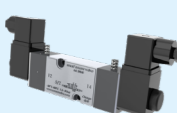


Bild - Picture - Foto	Beschreibung - Description - Descrizione	Art. No.	Mittelstellung - Center - Centro		
			Geschlossen Closed Chiuso	Belüftet Open Aperto	Entlüftet Exhausted Ventilato
	<ul style="list-style-type: none"> 5/2-Wege Magnetventil in bistabiler Impulsausführung, Standardspule. 5/2-ways solenoid valve in bistable impulse execution, standard coil. Elettrovalvola 5/2-vie in versione bistabile con due bobine standard. <p>DC: 12-24-36-48-110V 3W (option 2W-0,76W) AC: 12-24-36-48-115-230-380V 5VA</p>	SMI52012DC SMI52024DC SMI52036DC SMI52048DC SMI52110DC SMI52012AC SMI52024AC SMI52036AC SMI52048AC SMI52115AC SMI52230AC SMI52380AC			
	<ul style="list-style-type: none"> 5/2-Wege Magnetventil in hochwertigere Version mit Edelstahl-Komponenten in bistabiler Impulsausführung, Schutzart IP67, Standardspule. 5/2-ways solenoid valve in extra high quality version with stainless steel components in bistable impulse execution, enclosure IP67, standard coil. Elettrovalvola in 5/2-vie in versione superiore con componenti in acciaio inox, in versione bistabile con protezione IP67 e due bobine standard. <p>DC: 12-24-36-48-110V 3W (option 2W-0,76W) AC: 12-24-36-48-115-230-380V 5VA</p>	SMIE52012DC SMIE52024DC SMIE52036DC SMIE52048DC SMIE52110DC SMIE52012AC SMIE52024AC SMIE52036AC SMIE52048AC SMIE52115AC SMIE52230AC SMIE52380AC			
	<ul style="list-style-type: none"> 5/2-Wege Magnetventil in bistabiler Impulsausführung, Spule ATEX Ex d. 5/2-ways solenoid valve in bistable impulse execution, coil ATEX Ex d. Elettrovalvola 5/2-vie in versione bistabile con due bobine ATEX Ex d. <p>DC: 6-12-24-36-48V 3W AC: 12-24-48-100-110-115-120-220-230-240V 5VA</p>	SMI52006DC-d SMI52012DC-d SMI52024DC-d SMI52036DC-d SMI52048DC-d SMI52012AC-d SMI52024AC-d SMI52048AC-d SMI52100AC-d SMI52110AC-d SMI52115AC-d SMI52120AC-d SMI52220AC-d SMI52230AC-d SMI52240AC-d			
	<ul style="list-style-type: none"> 5/2-Wege Magnetventil in bistabiler Impulsausführung, Spule ATEX Ex ia. 5/2-ways solenoid valve in bistable impulse execution, coil ATEX Ex ia. Elettrovalvola 5/2-vie in versione bistabile con due bobine ATEX Ex ia. <p>DC: 24V (max. 28V DC) 1.6W NAMUR</p>	SMI52024DC-ia			
	<ul style="list-style-type: none"> 5/2-Wege Magnetventil in bistabiler Impulsausführung, Spule ATEX Ex m. 5/2-ways solenoid valve in bistable impulse execution, coil ATEX Ex m. Elettrovalvola 5/2-vie in versione bistabile con due bobine ATEX Ex m. <p>DC: 12-24V 3W AC: 24-48-115-230V 3.2VA</p>	SMI52012DC-m SMI52024DC-m SMI52024AC-m SMI52048AC-m SMI52115AC-m SMI52230AC-m			
	<ul style="list-style-type: none"> 5/2-Wege Magnetventil in bistabiler Impulsausführung, Spule ATEX Ex nA. 5/2-ways solenoid valve in bistable impulse execution, coil ATEX Ex nA. Elettrovalvola 5/2-vie in versione bistabile con due bobine ATEX Ex nA. <p>DC: 12-24V 3W, 4.2W, 6.5W AC: 24-110-115-220-230V 7.5VA, 12.5VA (50Hz), 6.5VA, 10.5VA (60Hz)</p>	SMI52012DC-nA SMI52024DC-nA SMI52024AC-nA SMI52110AC-nA SMI52115AC-nA SMI52220AC-nA SMI52230AC-nA			
	<ul style="list-style-type: none"> 5/2-Wege Pneumatikventil in bistabiler Impulsausführung. 5/2-ways pneumatic valve in bistable impulse execution. Valvola 5/2-vie pneumatica in versione bistabile. 	SPI52			

Bild - Picture - Foto	Beschreibung - Description - Descrizione	Mittelstellung - Center - Centro			
		Geschlossen Closed Chiuso	Belüftet Open Aperto	Entlüftet Exhausted Ventilato	
	<ul style="list-style-type: none"> 5/3-Wege Magnetventil in bistabiler Impulsausführung, Standardspule. 5/3-ways solenoid valve in bistable impulse execution, standard coil. Elettrovalvola 5/3-vie in versione bistabile con due bobine standard. <p>DC: 12-24-36-48-110V 3W (option 2W-0,76W) AC: 12-24-36-48-115-230-380V 5VA</p>	SMI53012DC-MG SMI53024DC-MG SMI53036DC-MG SMI53048DC-MG SMI53110DC-MG SMI53012AC-MG SMI53024AC-MG SMI53036AC-MG SMI53048AC-MG SMI53115AC-MG SMI53230AC-MG SMI53380AC-MG	SMI53012DC-MB SMI53024DC-MB SMI53036DC-MB SMI53048DC-MB SMI53110DC-MB SMI53012AC-MB SMI53024AC-MB SMI53036AC-MB SMI53048AC-MB SMI53115AC-MB SMI53230AC-MB SMI53380AC-MB	SMI53012DC-ME SMI53024DC-ME SMI53036DC-ME SMI53048DC-ME SMI53110DC-ME SMI53012AC-ME SMI53024AC-ME SMI53036AC-ME SMI53048AC-ME SMI53115AC-ME SMI53230AC-ME SMI53380AC-ME	
	<ul style="list-style-type: none"> 5/3-Wege Magnetventil in hochwertigere Version mit Edelstahl-Komponenten in bistabiler Impulsausführung, Schutzart IP67, Standardspule. 5/3-ways solenoid valve in extra high quality version with stainless steel components in bistable impulse execution, enclosure IP67, standard coil. Elettrovalvola in 5/3-vie in versione superiore con componenti in acciaio inox, in versione bistabile con protezione IP67 e due bobine standard. <p>DC: 12-24-36-48-110V 3W (option 2W-0,76W) AC: 12-24-36-48-115-230-380V 5VA</p>	SMI53012DC-MG SMI53024DC-MG SMI53036DC-MG SMI53048DC-MG SMI53110DC-MG SMI53012AC-MG SMI53024AC-MG SMI53036AC-MG SMI53048AC-MG SMI53115AC-MG SMI53230AC-MG SMI53380AC-MG	SMI53012DC-MB SMI53024DC-MB SMI53036DC-MB SMI53048DC-MB SMI53110DC-MB SMI53012AC-MB SMI53024AC-MB SMI53036AC-MB SMI53048AC-MB SMI53115AC-MB SMI53230AC-MB SMI53380AC-MB	SMI53012DC-ME SMI53024DC-ME SMI53036DC-ME SMI53048DC-ME SMI53110DC-ME SMI53012AC-ME SMI53024AC-ME SMI53036AC-ME SMI53048AC-ME SMI53115AC-ME SMI53230AC-ME SMI53380AC-ME	
	<ul style="list-style-type: none"> 5/3-Wege Magnetventil in bistabiler Impulsausführung, Spule ATEX Ex d. 5/3-ways solenoid valve in bistable impulse execution, coil ATEX Ex d. Elettrovalvola 5/3-vie in versione bistabile con due bobine ATEX Ex d. <p>DC: 6-12-24-36-48V 3W AC: 12-24-48-100-110-115-120-220-230-240V 5VA</p>	SMI53006DC-MG-d SMI53012DC-MG-d SMI53024DC-MG-d SMI53036DC-MG-d SMI53048DC-MG-d SMI53012AC-MG-d SMI53024AC-MG-d SMI53048AC-MG-d SMI53100AC-MG-d SMI53110AC-MG-d SMI53115AC-MG-d SMI53120AC-MG-d SMI53220AC-MG-d SMI53230AC-MG-d SMI53240AC-MG-d	SMI53006DC-MB-d SMI53012DC-MB-d SMI53024DC-MB-d SMI53036DC-MB-d SMI53048DC-MB-d SMI53012AC-MB-d SMI53024AC-MB-d SMI53048AC-MB-d SMI53100AC-MB-d SMI53110AC-MB-d SMI53115AC-MB-d SMI53120AC-MB-d SMI53220AC-MB-d SMI53230AC-MB-d SMI53240AC-MB-d	SMI53006DC-ME-d SMI53012DC-ME-d SMI53024DC-ME-d SMI53036DC-ME-d SMI53048DC-ME-d SMI53012AC-ME-d SMI53024AC-ME-d SMI53048AC-ME-d SMI53100AC-ME-d SMI53110AC-ME-d SMI53115AC-ME-d SMI53120AC-ME-d SMI53220AC-ME-d SMI53230AC-ME-d SMI53240AC-ME-d	
	<ul style="list-style-type: none"> 5/3-Wege Magnetventil in bistabiler Impulsausführung, Spule ATEX Ex ia. 5/3-ways solenoid valve in bistable impulse execution, coil ATEX Ex ia. Elettrovalvola 5/3-vie in versione bistabile con due bobine ATEX Ex ia. <p>DC: 24V (max. 28V DC) 1.6W</p>	SMI53024DC-MG-ia	SMI53024DC-MB-ia	SMI53024DC-ME-ia	
	<ul style="list-style-type: none"> 5/3-Wege Magnetventil in bistabiler Impulsausführung, Spule ATEX Ex m. 5/3-ways solenoid valve in bistable impulse execution, coil ATEX Ex m. Elettrovalvola 5/3-vie in versione bistabile con due bobine ATEX Ex m. <p>DC: 12-24V 3W AC: 24-48-115-230V 3.2VA</p>	SMI53012DC-MG-m SMI53024DC-MG-m SMI53024AC-MG-m SMI53048AC-MG-m SMI53115AC-MG-m SMI53230AC-MG-m	SMI53012DC-MB-m SMI53024DC-MB-m SMI53024AC-MB-m SMI53048AC-MB-m SMI53115AC-MB-m SMI53230AC-MB-m	SMI53012DC-ME-m SMI53024DC-ME-m SMI53024AC-ME-m SMI53048AC-ME-m SMI53115AC-ME-m SMI53230AC-ME-m	
	<ul style="list-style-type: none"> 5/3-Wege Magnetventil in bistabiler Impulsausführung, Spule ATEX Ex nA. 5/3-ways solenoid valve in bistable impulse execution, coil ATEX Ex nA. Elettrovalvola 5/3-vie in versione bistabile con due bobine ATEX Ex nA. <p>DC: 12-24V 3W, 4.2W, 6.5W AC: 24-110-115-220-230V 7.5VA, 12.5VA (50Hz), 6.5VA, 10.5VA (60Hz)</p>	SMI53012DC-MG-nA SMI53024DC-MG-nA SMI53024AC-MG-nA SMI53110AC-MG-nA SMI53115AC-MG-nA SMI53220AC-MG-nA SMI53230AC-MG-nA	SMI53012DC-MB-nA SMI53024DC-MB-nA SMI53024AC-MB-nA SMI53110AC-MB-nA SMI53115AC-MB-nA SMI53220AC-MB-nA SMI53230AC-MB-nA	SMI53012DC-ME-nA SMI53024DC-ME-nA SMI53024AC-ME-nA SMI53110AC-ME-nA SMI53115AC-ME-nA SMI53220AC-ME-nA SMI53230AC-ME-nA	
	<ul style="list-style-type: none"> 5/3-Wege Pneumatikventil in bistabiler Impulsausführung. 5/3-ways pneumatic valve in bistable impulse execution. Valvola 5/3-vie pneumatica in versione bistabile. 	SPI53-MG	SPI53-MB	SPI53-ME	

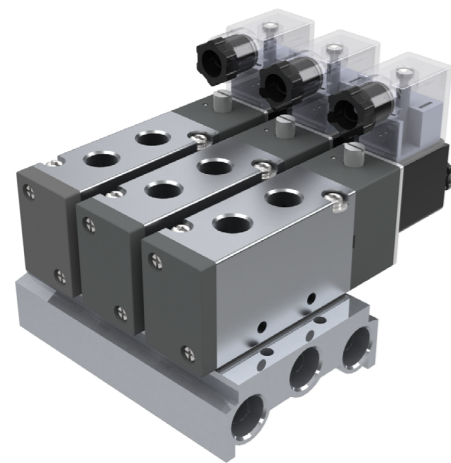
Allgemeine Beschreibung

Mehrfach-Anschlussblöcke (Ventilinseln) für Smart Valves Serie SMF-SMI (Magnetventile) und SPF-SPI (Pneumatikventile).

- Für Ventile 5/2-, 3/2- und 5/3-Wege
- Für Ventile mit Luftanschlüsse 1/8"- 1/4"- 3/8"- 1/2"
- Anschlussblöcke (Ventilinseln) für Montage von 2-3-4-5-6-7-8-9-10-11-12-13-14 Stück Ventile (größere Anzahl auf Anfrage).

Set besteht aus:

- Anschlussblock mit bestellter Anzahl Positionen (Ventile nicht beinhaltet).
- Komplett mit allen benötigten Schrauben und Dichtungen um bestellte Menge an Ventilen zu befestigen.
- Eventuell nicht benötigte Positionen auf den Anschlussblöcken können durch Blindplatten geschlossen werden (separat zu bestellen wie z.B. auch Schalldämpfer, Schnellverschlüsse oder Stopfen).



Anschlussblock mit 3 montierten Ventilen 5/2-Wege
 Sub-bases with 3 mounted solenoid valves 5/2-ways
 Sottobase con 3 elettrovalvole 5/2-vie montate

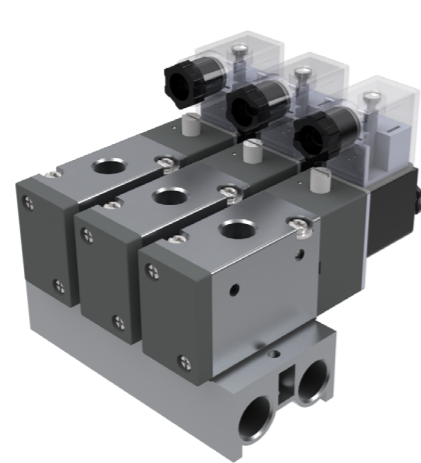
General description

Multi-position sub-bases / manifolds for Smart Valves Series SMF-SMI (solenoid valves) and SPF-SPI (pneumatic valves).

- For 5/2-, 3/2- and 5/3-ways
- For valves sizes with 1/8"- 1/4"- 3/8"- 1/2" threads
- Sub-base - manifold with 2-3-4-5-6-7-8-9-10-11-12-13-14 positions (more positions on request).

Set consisting of:

- Sub-base - manifold with specified quantity of positions (valves excluded).
- Complete with all necessary screws and seals for fixing of ordered quantity of valves.
- Eventually not needed positions on the sub-bases could be closed by blind plates (to be ordered separately as e.g. also silencers, quick couplings or blind nuts).



Anschlussblock mit 3 montierten Ventilen 3/2-Wege
 Sub-bases with 3 mounted solenoid valves 3/2-ways
 Sottobase con 3 elettrovalvole 3/2-vie montate

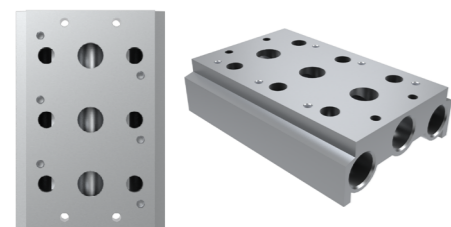
Caratteristiche generali

Sottobasi a posti multipli Smart Valves Series SMF-SMI (azionamento elettrico) e SPF-SPI (azionamento pneumatico).

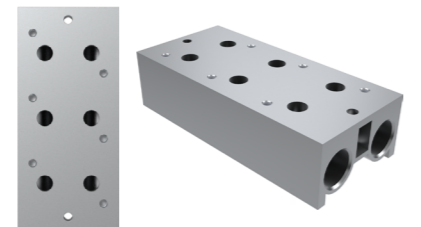
- Per valvole 5/2-, 3/2- e 5/3-vie
- Per valvole con alimentazione 1/8"- 1/4"- 3/8"- 1/2"
- Sottobasi a posti multipli per 2-3-4-5-6-7-8-9-10-11-12-13-14 valvole (più posti su richiesta).

Set consistente di:

- Sottobase con quantità posti da specificarsi (valvole non incluse).
- Completo di tutte le viti e guarnizioni necessari per fissare la quantità di valvole ordinate.
- Si possono chiudere eventuali posti non utilizzati tramite l'apposita piastrina di chiusura (da ordinare separatamente come eventuali silenzianti, attacchi rapidi oppure vite tappo).



Anschlussblock für Smart Valves 5/2-Wege (3 Positionen)
 Sub-bases for Smart Valves 5/2-ways (3 positions)
 Sottobase per Smart Valves 5/2-vie (3 posizioni)

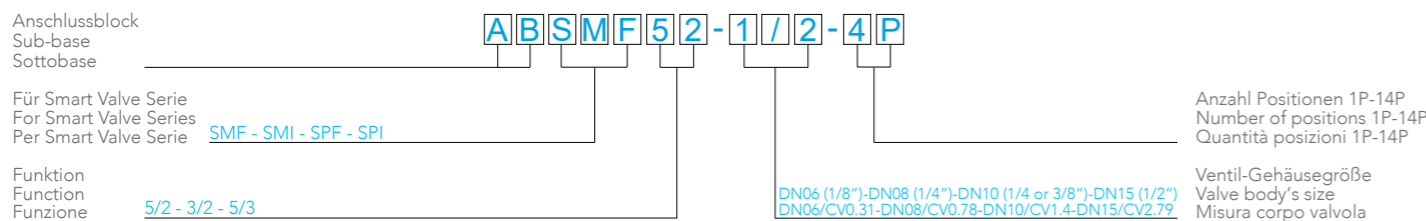


Anschlussblock für Smart Valves 3/2-Wege (3 Positionen)
 Sub-bases for Smart Valves 3/2-ways (3 positions)
 Sottobase per Smart Valves 3/2-vie (3 posizioni)

Bestellschlüssel

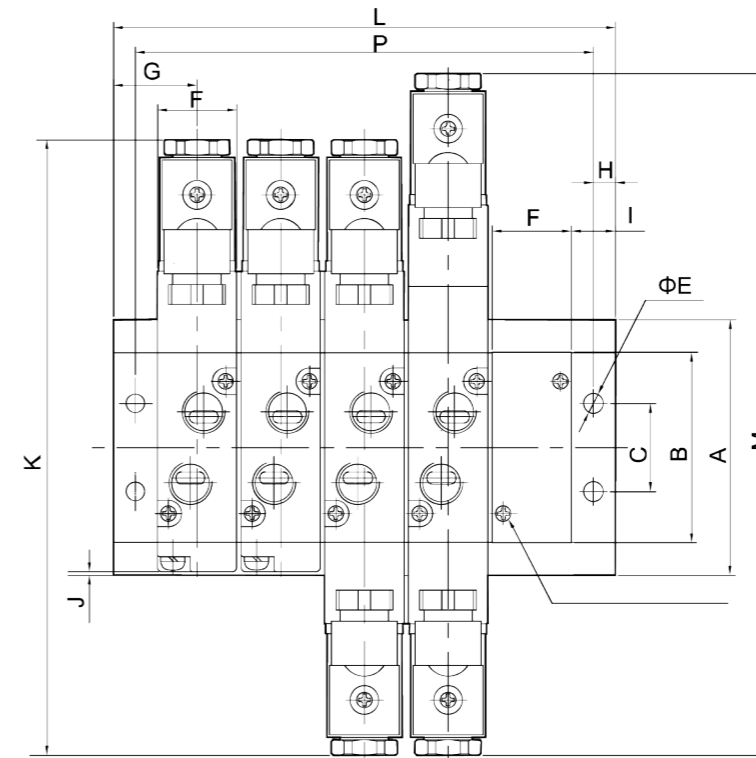
Code system

Sistema codici



Anschlussblock (Ventilinsel)

Abmessungen Anschlussblöcke 5/2-Wege für Gehäusegrößen:
 DN06 (1/8") - DN08 (1/4")
 DN10 (3/8") - DN15 (1/2")

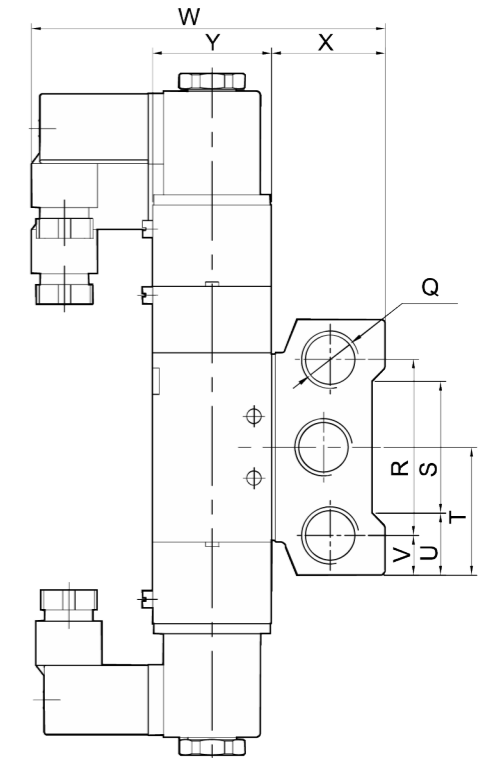


Sub-bases (manifolds)

Dimensions sub-bases 5/2-ways for valve body size:
 DN06 (1/8") - DN08 (1/4")
 DN10 (3/8") - DN15 (1/2")

Sottobasi a posti multipli

Dimensioni sottobasi 5/2-vie per corpo valvola misura:
 DN06 (1/8") - DN08 (1/4")
 DN10 (3/8") - DN15 (1/2")



Type / Item	L															
	1F	2F	3F	4F	5F	6F	7F	8F	9F	10F	11F	12F	13F	14F	15F	16F
AB52-DN06-1/8"	38	57	76	95	114	133	152	171	190	209	228	247	266	285	304	232
AB52-DN08-1/4"	46	69	92	115	138	161	184	207	230	253	276	299	322	345	368	391
AB52-DN10-3/8"	54	82	110	138	166	194	222	250	278	306	334	362	-	-	-	-
AB52-DN15-1/2"	63	98	133	168	203	238	273	-	-	-	-	-	-	-	-	-

Type / Item	P															
	1F	2F	3F	4F	5F	6F	7F	8F	9F	10F	11F	12F	13F	14F	15F	16F
AB52-DN06-1/8"	28	47	66	85	104	123	142	161	180	199	218	237	256	275	294	313
AB52-DN08-1/4"	34	57	80	103	126	149	172	195	218	241	264	287	310	333	356	379
AB52-DN10-3/8"	42	70	98	126	154	182	210	238	266	294	322	350	-	-	-	-
AB52-DN15-1/2"	49	84	119	154	189	224	259	-	-	-	-	-	-	-	-	-

Type / Item	A	B	C	E	F	G	H	I	J	K
AB52-DN06-1/8"	58	43,2	20	4,5	18,3	19	5	10	-0,8	139,4
AB52-DN08-1/4"	61	50,7	21	4,5	22,4	23	6	12	1,2	170
AB52-DN10-3/8"	75	64,8	26	4,5	27,3	27	6	13,5	2,5	188,8
AB52-DN15-1/2"	104	94,5	32	5,5	34,3	31,5	7	14,5	5	221,8
Type / Item	M	Q	R	S	T	U	V	W	X	Y
AB52-DN06-1/8"	154,5	G1/4	40	30	29	14	9	79	25	27
AB52-DN08-1/4"	189	G1/4	43	32	30,5	14,5	9	93	26	35

Anschlussblock (Ventilinsel)

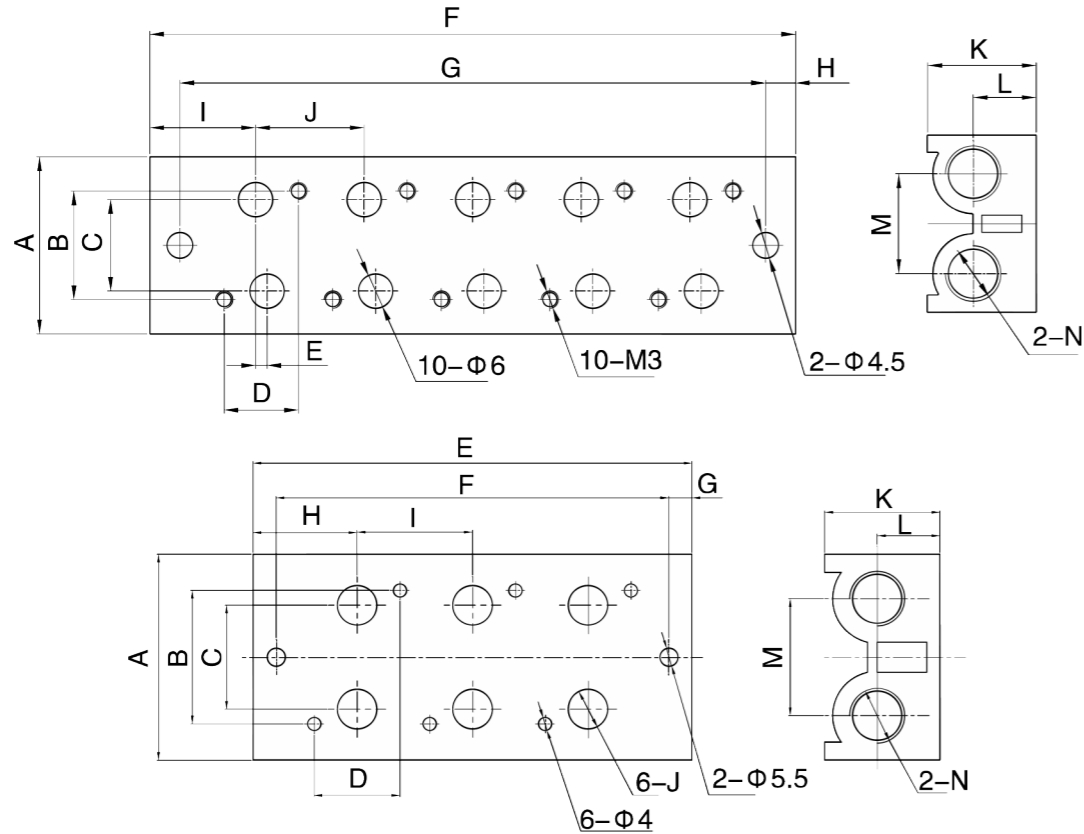
Abmessungen Anschlussblöcke 3/2-Wege für Gehäusegrößen:
 DN06 (1/8") - DN08 (1/4")
 DN10 (3/8") - DN15 (1/2")

Sub-bases (manifolds)

Dimensions sub-bases 3/2-ways for valve body size:
 DN06 (1/8") - DN08 (1/4")
 DN10 (3/8") - DN15 (1/2")

Sottobasi a posti multipli

Dimensioni sottobasi 3/2-vie per corpo valvola misura:
 DN06 (1/8") - DN08 (1/4")
 DN10 (3/8") - DN15 (1/2")



Type / Item	F										A	B	C	D	E	H
	1F	2F	3F	4F	5F	6F	7F	8F	9F	10F						
AB32-DN06-1/8"	37	56	75	94	113	132	151	170	189	208	31	19	16	13	2	5,25
AB32-DN08-1/4"	46,5	69,25	92	114,75	137,5	160,25	183	205,75	228,5	251,25	45	30	22,5	17	0	6,5
Type / Item	G										I	J	K	L	M	N
	1F	2F	3F	4F	5F	6F	7F	8F	9F	10F						
AB32-DN06-1/8"	26,5	45,5	64,5	83,5	102,5	121,5	140,5	159,5	178,5	197,5	19,5	19	19	11	17,5	G1/8
AB32-DN08-1/4"	33,5	56,25	79	101,75	124,5	147,25	170	192,75	215,5	238,25	43,25	22,75	24	14,5	23	G1/4
Type / Item	E										A	B	C	D	E	H
	1F	2F	3F	4F	5F	6F	7F	8F	9F	10F						
AB32-DN10-3/8"	54	82	110	138	166	194	222	250	278	306	50	35	24	20	6	27
AB32-DN15-1/2"	63	98	133	168	203	238	273	308	343	378	62,5	40,5	31,5	26	7	31,5
Type / Item	F										I	J	K	L	M	N
	1F	2F	3F	4F	5F	6F	7F	8F	9F	10F						
AB32-DN10-3/8"	42	70	98	126	154	182	210	238	266	294	28	8,5	28	12	29	G3/8
AB32-DN15-1/2"	49	84	119	154	189	224	259	294	329	364	35	12	35	16	35,5	G3/8

Preisliste Anschlussblock (Ventilinsel)

Anschlussblöcke 5/2-Wege für Gehäusegrößen:
 DN06 (1/8") - DN08 (1/4")
 DN10 (3/8") - DN15 (1/2")

Price list sub-bases (manifolds)

Sub-bases 5/2-ways for valve body size:
 DN06 (1/8") - DN08 (1/4")
 DN10 (3/8") - DN15 (1/2")

Listino prezzi sottobasi a posti multipli

Sottobasi 5/2-vie per corpo valvola misura:
 DN06 (1/8") - DN08 (1/4")
 DN10 (3/8") - DN15 (1/2")

Anzahl Positionen - Quantity positions - Quantità posizioni	DN06 - 1/8"		DN08 - 1/4"		DN10 - 3/8"		DN15 - 1/2"	
	Item	Euro DN06	Item	Euro DN08	Item	Euro DN10	Item	Euro DN15
1	AB52-DN06-1/8"-1P	6	AB52-DN08-1/4"-1P	6	AB52-DN10-3/8"-1P	11	AB52-DN15-1/2"-1P	21,7
2	AB52-DN06-1/8"-2P	12	AB52-DN08-1/4"-2P	12	AB52-DN10-3/8"-2P	22,1	AB52-DN15-1/2"-2P	43,4
3	AB52-DN06-1/8"-3P	18	AB52-DN08-1/4"-3P	18	AB52-DN10-3/8"-3P	33,1	AB52-DN15-1/2"-3P	65,2
4	AB52-DN06-1/8"-4P	24	AB52-DN08-1/4"-4P	24	AB52-DN10-3/8"-4P	44,2	AB52-DN15-1/2"-4P	86,9
5	AB52-DN06-1/8"-5P	30	AB52-DN08-1/4"-5P	30	AB52-DN10-3/8"-5P	55,2	AB52-DN15-1/2"-5P	108,6
6	AB52-DN06-1/8"-6P	36	AB52-DN08-1/4"-6P	36	AB52-DN10-3/8"-6P	66,2	AB52-DN15-1/2"-6P	130,3
7	AB52-DN06-1/8"-7P	42	AB52-DN08-1/4"-7P	42	AB52-DN10-3/8"-7P	77,3	AB52-DN15-1/2"-7P	152
8	AB52-DN06-1/8"-8P	48	AB52-DN08-1/4"-8P	48	AB52-DN10-3/8"-8P	88,3	AB52-DN15-1/2"-8P	173,8
9	AB52-DN06-1/8"-9P	54	AB52-DN08-1/4"-9P	54	AB52-DN10-3/8"-9P	99,4	AB52-DN15-1/2"-9P	195,5
10	AB52-DN06-1/8"-10P	60	AB52-DN08-1/4"-10P	60	AB52-DN10-3/8"-10P	110,4	AB52-DN15-1/2"-10P	217,2
11	AB52-DN06-1/8"-11P	66	AB52-DN08-1/4"-11P	66	AB52-DN10-3/8"-11P	121,4	AB52-DN15-1/2"-11P	238,9
12	AB52-DN06-1/8"-12P	72	AB52-DN08-1/4"-12P	72	AB52-DN10-3/8"-12P	132,5	AB52-DN15-1/2"-12P	260,6
13	AB52-DN06-1/8"-13P	78	AB52-DN08-1/4"-13P	78	AB52-DN10-3/8"-13P	143,5	AB52-DN15-1/2"-13P	282,4
14	AB52-DN06-1/8"-14P	84	AB52-DN08-1/4"-14P	84	AB52-DN10-3/8"-14P	154,6	AB52-DN15-1/2"-14P	304,1
15	AB52-DN06-1/8"-15P	90	AB52-DN08-1/4"-15P	90	AB52-DN10-3/8"-15P	165,6	AB52-DN15-1/2"-15P	325,8
16	AB52-DN06-1/8"-16P	96	AB52-DN08-1/4"-16P	96	AB52-DN10-3/8"-16P	176,6	AB52-DN15-1/2"-16P	347,5

Preisliste Anschlussblock (Ventilinsel)

Anschlussblöcke 3/2-Wege für Gehäusegrößen:
 DN06 (1/8") - DN08 (1/4")
 DN10 (3/8") - DN15 (1/2")

Price list sub-bases (manifolds)

Sub-bases 3/2-ways for valve body size:
 DN06 (1/8") - DN08 (1/4")
 DN10 (3/8") - DN15 (1/2")

Listino prezzi sottobasi a posti multipli

Sottobasi 3/2-vie per corpo valvola misura:
 DN06 (1/8") - DN08 (1/4")
 DN10 (3/8") - DN15 (1/2")

Anzahl Positionen - Quantity positions - Quantità posizioni	DN06 - 1/8"		DN08 - 1/4"		DN10 - 3/8"		DN15 - 1/2"	
	Item	Euro DN06	Item	Euro DN08	Item	Euro DN10	Item	Euro DN15
1	AB32-DN06-1/8"-1P	6,6	AB32-DN08-1/4"-1P	6,6	AB32-DN10-3/8"-1P	12,1	AB32-DN15-1/2"-1P	15,7
2	AB32-DN06-1/8"-2P	13,2	AB32-DN08-1/4"-2P	13,2	AB32-DN10-3/8"-2P	24,2	AB32-DN15-1/2"-2P	31,4
3	AB32-DN06-1/8"-3P	19,8	AB32-DN08-1/4"-3P	19,8	AB32-DN10-3/8"-3P	36,4	AB32-DN15-1/2"-3P	47,2
4	AB32-DN06-1/8"-4P	26,4	AB32-DN08-1/4"-4P	26,4	AB32-DN10-3/8"-4P	48,5	AB32-DN15-1/2"-4P	62,9
5	AB32-DN06-1/8"-5P	33,0	AB32-DN08-1/4"-5P	33,0	AB32-DN10-3/8"-5P	60,6	AB32-DN15-1/2"-5P	78,6
6	AB32-DN06-1/8"-6P	39,6	AB32-DN08-1/4"-6P	39,6	AB32-DN10-3/8"-6P	72,7	AB32-DN15-1/2"-6P	94,3
7	AB32-DN06-1/8"-7P	46,2	AB32-DN08-1/4"-7P	46,2	AB32-DN10-3/8"-7P	84,8	AB32-DN15-1/2"-7P	110,0
8	AB32-DN06-1/8"-8P	52,8	AB32-DN08-1/4"-8P	52,8	AB32-DN10-3/8"-8P	97,0	AB32-DN15-1/2"-8P	125,8
9	AB32-DN06-1/8"-9P	59,4	AB32-DN08-1/4"-9P	59,4	AB32-DN10-3/8"-9P	109,1	AB32-DN15-1/2"-9P	141,5
10	AB32-DN06-1/8"-10P	66,0	AB32-DN08-1/4"-10P	66,0	AB32-DN10-3/8"-10P	121,2	AB32-DN15-1/2"-10P	157,2
11	AB32-DN06-1/8"-11P	72,6	AB32-DN08-1/4"-11P	72,6	AB32-DN10-3/8"-11P	133,3	AB32-DN15-1/2"-11P	172,9
12	AB32-DN06-1/8"-12P	79,2	AB32-DN08-1/4"-12P	79,2	AB32-DN10-3/8"-12P	145,4	AB32-DN15-1/2"-12P	188,6
13	AB32-DN06-1/8"-13P	85,8	AB32-DN08-1/4"-13P	85,8	AB32-DN10-3/8"-13P	157,6	AB32-DN15-1/2"-13P	204,4
14	AB32-DN06-1/8"-14P	92,4	AB32-DN08-1/4"-14P	92,4	AB32-DN10-3/8"-14P	169,7	AB32-DN15-1/2"-14P	220,1
15	AB32-DN06-1/8"-15P	99,0	AB32-DN08-1/4"-15P	99,0	AB32-DN10-3/8"-15P	181,8	AB32-DN15-1/2"-15P	235,8
16	AB32-DN06-1/8"-16P	105,6	AB32-DN08-1/4"-16P	105,6	AB32-DN10-3/8"-16P	193,9	AB32-DN15-1/2"-16P	251,5