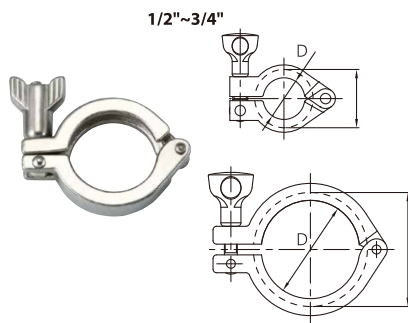


# 卡箍.CLAMP



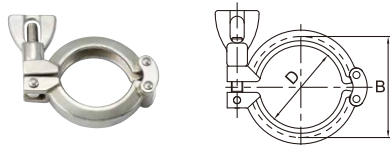
## 13MHH heavy duty single pin clamp

### Part no:CL01

Size	D
1/2"-3/4"	28
1"-1 1/2"	53.6
2"	67
2.5"	80.6
3"	94.2
3.5"	109.2
4"	122.2
4.5"	133.2
5"	149
133	159
6"	170.4
159	187
8"	220
219	238
10"	272
12"	323

### Part no:CL02

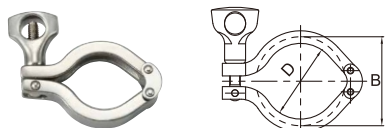
Size	D
DN10-20	37
DN25-40	53.6
DN50	67
DN65	94.2
DN80	109.2
DN100	122.2
DN125	149
DN125	159
DN150	170.4
DN150	187
DN200	220
DN200	238
DN250	272
DN300	323



## 13SF Heavy Duty Double pin Clamp

### Part no:CL03

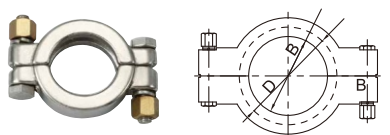
SIZE	D	B
1/2"~3/4"	20	28
A37	27.5	42.9
1"~1.5"	45	53.6
2"	59	72
2.5"	67	84
3"	85	98
4"	114	127



## 13MHHM double pin Clamp

### Part no:CL04

SIZE	D	B
1/2"~3/4"	20	28
1"~1.5"	43.6	53.6
2"	57	67
2.5"	70.6	80.6
3"	84	94
4"	112	122
6"	155	170
8"	205	220.8

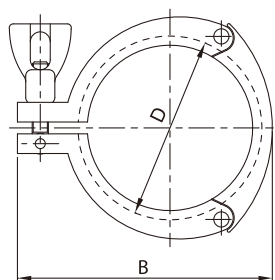


## 13MHP Bolted High Pressure Clamp

### Part no:CL05

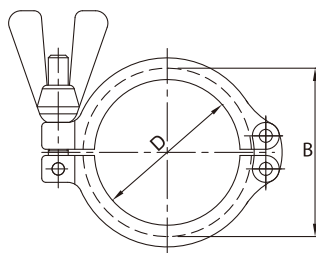
SIZE	B	D
1/2"~3/4"	20	28
1"~1.5"	43.3	52
2"	56.4	65.5
2.5"	69.5	79
3"	77.6	92.5
4"	108.8	120.5
6"	158	170
6.5"	173	186.2
8"	222.5	237.5
10"	258.2	272.8
12"	309	327.6

# 卡箍.CLAMP



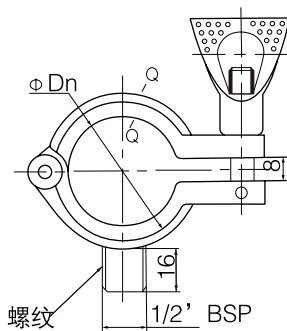
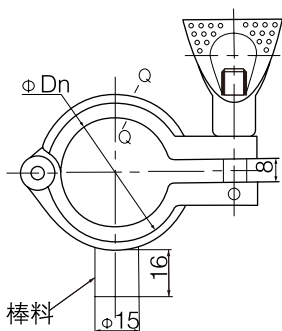
13MHHS 3-Piece Clamp  
Part no:CL06

SIZE	D	B
1"~1.5"	54	80
2"	67.5	94
2.5"	80.9	109
3"	94	126
4"	122.4	154
12"	323.4	369



13CS Double pin Clamp  
Part no:CL07

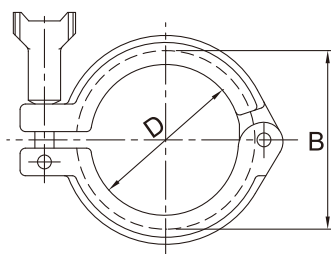
SIZE	D	B
1/2"~3/4"	20.6	28.3
DN10-20	27.2	37
1.5"	41.02	53.5
DN25-40	44.5	54.5
2.0"	54.5	67
DN50	57	68
2.5"	68	80.5
3.0"	81.5	94
DN65	84	95
DN80	99	110
4.0"	109.5	122
DN100	112	123
DN115	123	134
DN125	144	159
6.0"	157.6	175.1
DN150	172	187
8.0"	207.4	225.9
DN200	222.5	237.5
DN250	257	272
DN300	308	323



Pipe holder with solid bar/BSP socket  
Part no:CL08

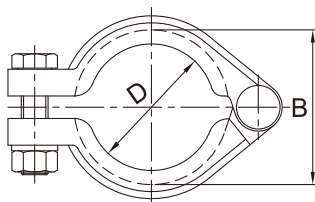
Size	D
1"	25.4
1 1/4"	31.8
1 1/2"	38.1
2"	50.8
2 1/2"	63.5
3"	76.2
3 1/2"	89
4"	101.6

# 卡箍.CLAMP



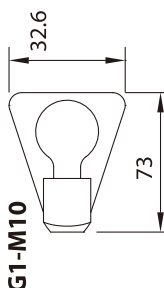
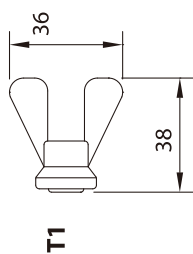
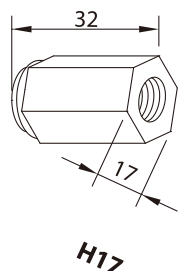
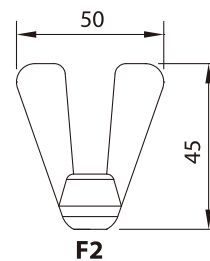
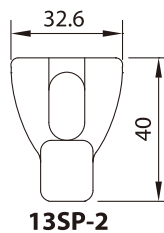
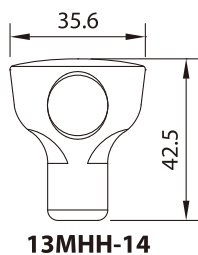
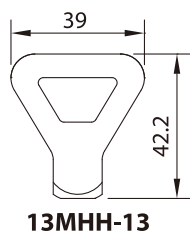
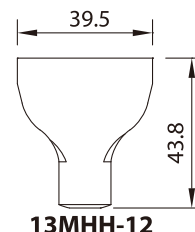
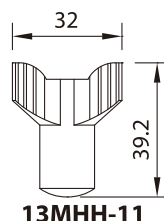
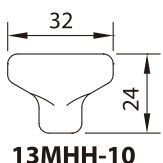
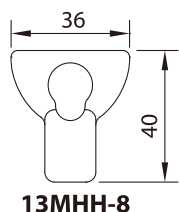
13IS I-Line Clamp  
Part no:CL09

SIZE	D	B
1.0"~1.5"	44.4	53.4
2.0"	57.8	72.2
2.5"	71.4	88.1
3.0"	84	102.4
4.0"	110	127.8
6.0"	155.4	195.3



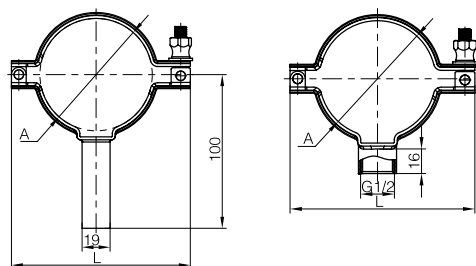
13IU Bolted Clamp  
Part no:CL10

SIZE	D	B
1"~1.5"	45	55
2.0"	63	73
2.5"	74	89
3.0"	88	102
4.0"	111	128



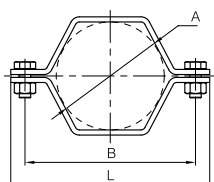
# 管支架.PIPE HANGER

Weld: TH01A Threaded: TH01B



Part no: TH01

Size	A	L
1"	25.4	66
1 1/2"	38.1	79
2"	50.8	90
2 1/2"	63.5	105
3"	76.3	120
4"	101.6	146

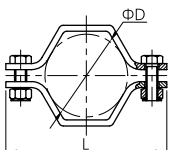
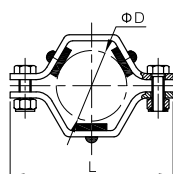


ISO Hexagon tube hanger

Part no: TH02

Size	A	B	L
ISO21.3	21.3	48	68
ISO26.9	26.6	55	74
ISO33.7	33.7	63	82
ISO42.4	42.4	74	93
ISO48.3	48.3	82	101
ISO60.3	60.3	95	114
ISO88.9	88.9	130	149
ISO114.3	114.3	158	177

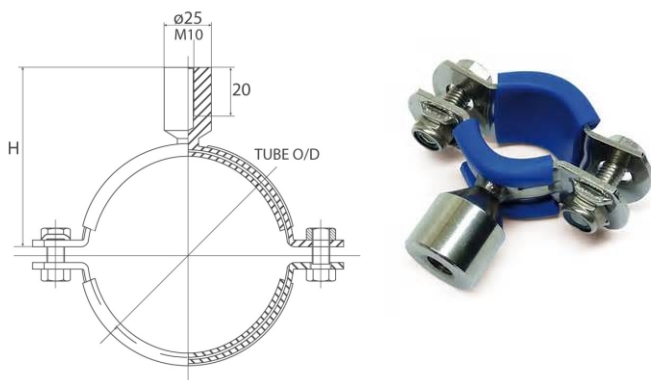
3A Hexagon tube hanger with Rubber insert or PVC sleeve  
Part no: TH03



Size	D	L
1"	25.4	87
1 1/2"	38.1	101.6
2"	50.8	114.3
2 1/2"	63.5	120.6
3"	76.2	139.7
4"	101.6	171.4

# 管支架.PIPE HANGER

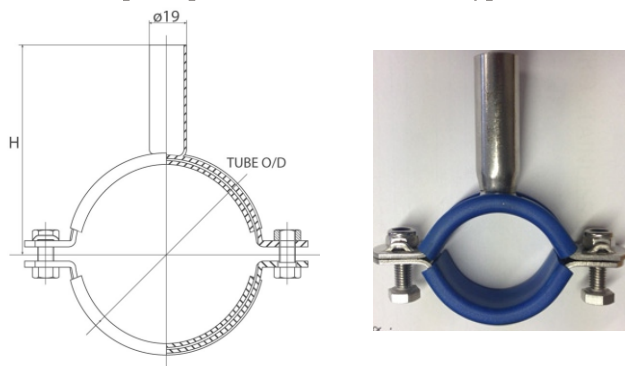
Bolted Pipe Clip C/W Blue Insert Bossed Type



Part no:TH04

Size	Tube O/D	H (mm)
1/2"	12.7	40.4
3/4"	19	45.5
1"	25.4	47.7
1.1/2"	38	54
2"	50.8	60.4
2.1/2"	63.5	66.8
3"	76	73
4"	101.6	85.8
5"	129	99.5
6"	154	115
8"	204	130
10"	254	162
12"	304	187

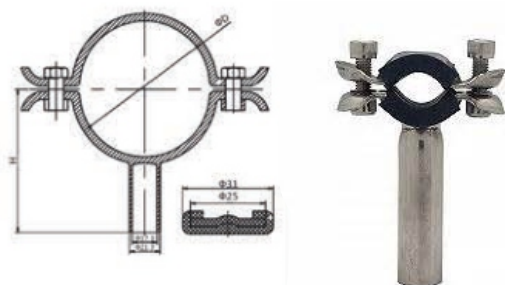
Bolted Pipe Clip C/W Blue Insert Weld Type



Part no:TH05

Size	Tube O/D	H (mm)
1/2"	12.7	90
3/4"	19	90
1"	25.4	90
1.1/2"	38	90
2"	50.8	90
2.1/2"	63.5	90
3"	76	90
4"	101.6	90
5"	129	129
6"	154	135
8"	204	155
10"	254	180
12"	304	205

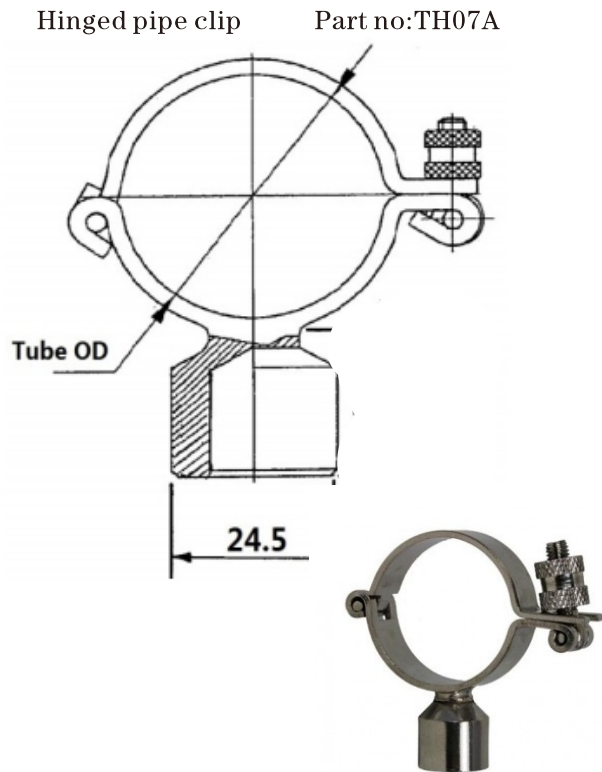
Tube hanger with insert



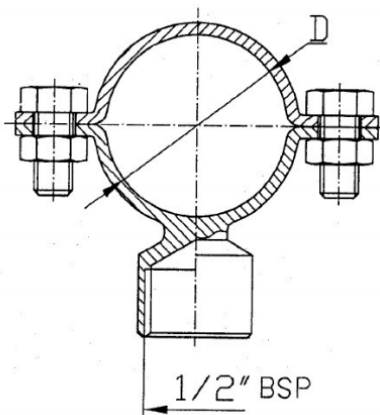
Part no:TH06

Size	Tube O/D	H (mm)
1/2"	12.7	90
3/4"	19	90
1"	25.4	90
1.1/2"	38	90
2"	50.8	90
2.1/2"	63.5	90
3"	76	90
4"	101.6	90
5"	129	125
6"	154	135
8"	204	145
10"	254	174
12"	304	200

# 管支架.PIPE HANGER



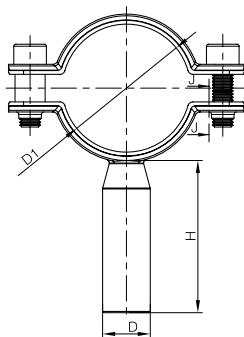
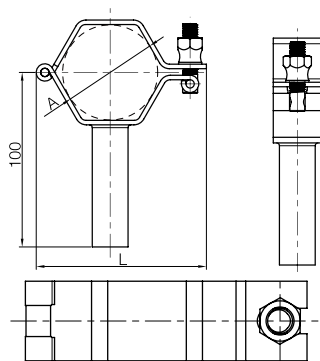
Bolted Saddle Clip with BSP Socket Part no:TH07B



Size	D	H
1/2"	12.7	35.85
3/4"	19.1	39
1/2"NB	21.3	40.15
1"	25.4	42.2
3/4"NB	26.7	42.85
1 1/4"	32	45.5
1"NB	33.4	46.2
1 1/2"	38.1	48.55
1 1/4"NB	42.2	50.6
1 1/2"NB	48.3	53.65
2"	50.8	55
2"NB	60.3	59.65
2 1/2"	63.5	62
2 1/2"NB	73	66.5
3"	76.2	68
3"NB	89	74.5
4"	102	82
4"NB	114	88
5"	129	101.5
6"	154	114
6"NB	168	122
8"	204	139
10"	254	164
12"	304.8	189



# 管支架.PIPE HANGER



Hexagon pipe holder

Part no:TH08

Size	A	L
DIN28	28	64
DIN34	34	64
DIN40	40	78
DIN52	52	90
DIN70	70	111
DIN85	85	125
DIN101.6	101.6	152

Size	A	L
SMS25	25	61
SMS38	38	76
SMS51	51	90
SMS63.5	63.5	106
SMS76	76	120
SMS104	104	152

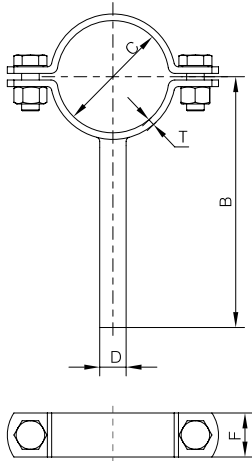
Round pipe hanger(with base)

Part no:TH09

Size	D	D1	L	H	T
1/4"	8	6.2	12	47	1.5
1/2"	8	12.5	12	47	1.5
3/4"	19	19	25	47	1.5
1"	19	25.4	25	47	1.5
1 1/2"	19	38.1	25	47	1.5
2"	19	50.8	25	47	1.5
2 1/2"	19	63.5	25	47	2
3"	19	76.2	25	47	2
4"	19	101.6	28	47	2
5"	19	129	28	47	2.5
6"	19	154	28	47	2.5
8"	25	204	35	47	3
10"	25	254	35	47	3
12"	25	304	35	47	3



# 管支架.PIPE HANGER



Round tube hanger with solid bar

Part no:TH10

Size	B	D	C	F	T
DN10	63	8	12	14	2.0
DN15	66	8	18	14	2.0
DN20	68	8	22	16	2.0
DN25	71	10	28	16	2.0
DN32	74	10	34	16	2.0
DN40	77	10	40	20	2.0
DN50	83	12	52	20	2.0
DN65	92.5	12	70	20	2.5
DN80	100	12	85	25	2.5
DN100	110	12	104	25	3.0
DN125	140	16	129	25	3.0
DN150	152.5	16	154	30	3.0

Size	B	D	C	F	T
ISO 32(1 1/4")	78	10	42.4	16	2.0
ISO 40(1 1/2")	81.5	12	48.3	20	2.0
ISO 50(2")	88	12	60.3	20	2.5
ISO 80(3")	102	12	88.9	25	2.5
ISO 100(4")	115	12	114.3	25	3.0
ISO 125(5")	145	16	139.7	25	3.0
ISO 150(6")	160	16	168.3	30	3.0
ISO 200(8")	186	20	219.1	30	4.0

Size	B	D	C	F	T
SMS25.4	69.5	10	25	16	2.0
SMS38.1	76	10	38	20	2.0
SMS50.8	82.5	12	51	20	2.0
SMS63.5	89.5	12	63.5	20	2.5
SMS76.2	95.5	12	76	25	2.5
SMS101.6	109	16	101.6	25	3.0

