

Rometec s.r.l.

Via Alessandro Minuziano, 87-89 , 00128 Roma

Tel. 065061635 – Fax 065061542

Sito web: www.rometec.it – email: info@rometec.it

P. IVA 04120621000 - CCIAA RM 736916

Reg. Soc. Tribunale RM 9229/91 - Cap. soc. 46'482,00 €



CERTIFICATO 1237 *
Certificate



CATALOGO RACCORDI E VALVOLE SANITARIE



INDICE

Valvole a farfalla.....	pag. 1
Valvole a sfera sanitarie.....	pag. 19
Valvola a sfera filettate.....	pag. 26
Valvole a sede inclinata.....	pag. 33
Valvole di non ritorno.....	pag. 35
Valvole a diaframma.....	pag. 39
Valvola di sfioro.....	pag. 45
Valvole di campionamento.....	pag. 47
Valvole di sicurezza.....	pag. 55
Valvole rompivuoto e di sfiato...	pag. 62
Valvole direzionali.....	pag. 64
Valvole di regolazione flusso.....	pag. 74
Valvole di miscelazione.....	pag. 77
Coperchi.....	pag. 82
Spie visive.....	pag. 86
Sfere rotanti di pulizia.....	pag. 88
Filtri.....	pag. 91
Raccordi a saldare.....	pag. 94
Raccordi Clamp.....	pag. 111
Unione filettate DIN.....	pag. 113
Attacchi clamp a saldare.....	pag. 114
Tappi e guarnizioni.....	pag. 116
Ganasce clamp.....	pag. 117
Collari portatubo.....	pag. 120
Portagomma.....	pag. 125
Adattatori.....	pag. 128
Raccordi DIN.....	pag. 129
Raccordi a mandrinare.....	pag. 132
Tubi sanitari.....	pag. 140
Accessori.....	pag. 142

蝶阀. BUTTERFLY VALVE



Pneumatic butterfly valve



Electric actuated butterfly valve



Aluminum actuated butterfly valve



Manual threaded butterfly valve



Manual weld butterfly valve



Three-piece butterfly valve



3 way butterfly valve



Clamped butterfly valve



Nut/threaded butterfly valve



NEW

Powder tight butterfly valve



NEW

Pneumatic butterfly valve w/ C Top



NEW

Linkage manual Butterfly Valve

蝶阀. BUTTERFLY VALVE

应用Applications

蝶阀，无论手动或者自动操作，都可以用到食品加工，制药和化工等工业的流体产品应用中。

Manual and automatic butterfly valves can be used in fluid products, food-processing, pharmaceutical and chemical industries.

工作原理Working Principles

蝶阀可以通过执行器自动操作也可由手柄手动操作。

手柄控制阀门“开”和“关闭”的位置，当然也可以调节到其他间的位置。

执行器把活塞的轴向运动转换成90度旋转运动，传输给蝶阀。

Manual valve: The butterfly valves can be actuated or manually operated by handle..

Handle controls the valve “open” or “closed” position, and other positions are available.

Automatic valve: A spring in cylinder works axially, then turning into 90 degree rotating on the stem of butterfly valve, in this way, butterfly valve open or closed automatically.

技术规格Technical specifications

阀门/VALVE

最大压力Max pressure: 1000 kPa/10bar(DN25/1"-DN100/4")

8bar(DN125/5"-DN150/6")

最小压力Min pressure: 0.2bar

工作温度Working temp: -10°C to +120°C (EPDM)

执行器/ACTUATOR

Max. air pressure: 700 kPa (7 bar)

Min. air pressure, NC and NO: 400 kPa (4 bar)

Temperature range: -25° C to +90° C

材质Materials

Forged disc: SS316L or 304

Forged valve body: SS316 Lor 304

Other steel part: SS304 or SS316

Seal: Silicone/EPDM/Viton, FDA certificated

Handle: SS304/Plastic

Surface roughness: $Ra \leq 0.8 \mu m$

选项Options

连接: 焊接, 卡箍, 螺纹, 单焊接单螺纹, 由任式, 法兰式, DIN, SMS, RJT, ISO, IDF, 3A

手柄: 二定位, 三定位, 四定位拉杆手柄, 多位塑料手柄, 多位不锈钢手柄

执行器: 不锈钢气动执行器, 铝制气动执行器, 电动执行器

控制: 位置传感器

Connections: weld, clamped, threaded, union-nut, flanged. according to DIN, SMS, 3A, ISO, IDF norms

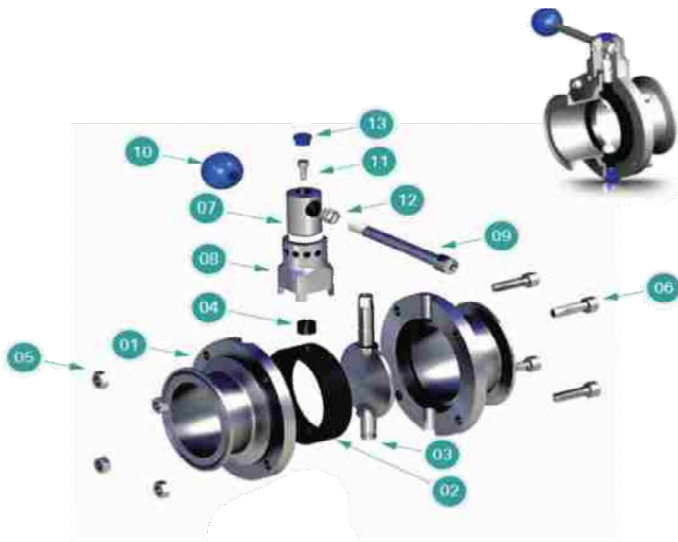
Handle: 2-piston, 3-postion, 4-postion pulling handle, muti-position plastic handle, stainless steel triggler handle.

Actuator: stainless steel actuator. Aluminum actuator. Electric actuator

Control head: Intelligent top, limit switches.

蝶阀. BUTTERFLY VALVE

Explode View of Manual Butterfly Valve

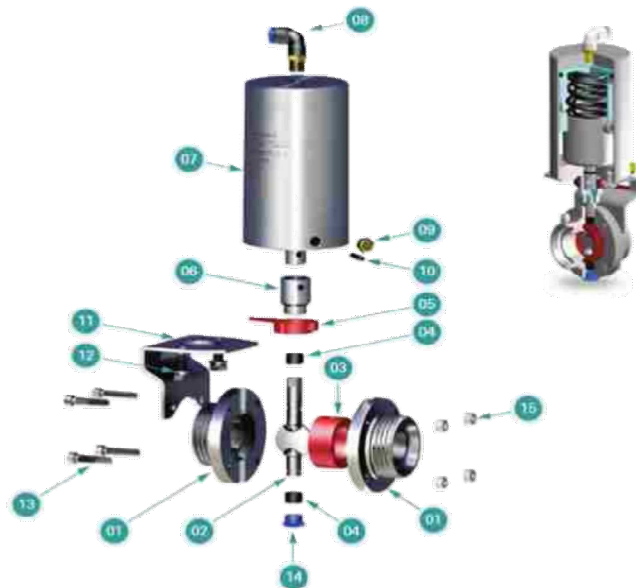


Part list

Part no	Description
1	阀体 Valve Body
2	密封圈 Gasket
3	蝶板 Disc
4	衬套 Bush
5	六角螺母 Hex Nut
6	螺栓 Bolt
7	连接轴 shaft
8	手柄支架 Handle support
9	手柄球 handle ball
10	手柄 Pulling handle
11	螺栓 Bolt
12	弹簧 Spring
13	塑料塞 plastic cap

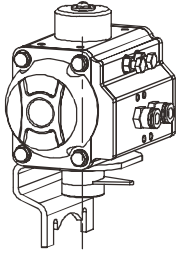
Part list

Part no	Description
1	阀体 Valve Body
2	蝶板 Disc
3	密封圈 Seal
4	衬套 Bush
5	摆针 Indicator
6	连接轴 shaft
7	执行器 Actuator
8	气嘴 Air connection
9	消声器 Silencer
10	销钉 Pin
11	支架 Bracket
12	螺栓 Bolt
13	塑料塞 Plastic cap
14	螺母 Nut

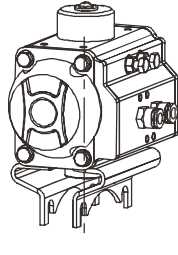


不同的驱动方式和手柄款式 Different configurations

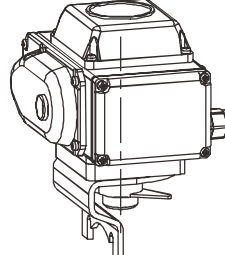
铝制气动执行器(单支架)
Aluminum pneumatic actuator(single bracket)



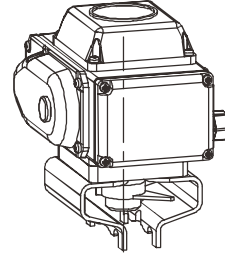
铝制气动执行器(双支架)
Aluminum pneumatic actuator(double bracket)



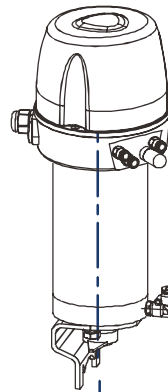
电动执行器(单支架)
Electric actuator(single bracket)



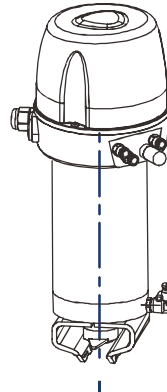
电动执行器(双支架)
Electric actuator(double bracket)



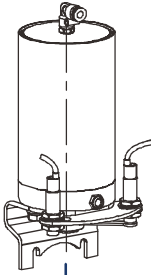
智能气动执行器(单支架)
(单作用、双作用)
Intelligent pneumatic actuator(single bracket)
(single effect, double effect)



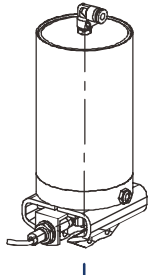
智能气动执行器(双支架)
(单作用、双作用)
Intelligent pneumatic actuator(double bracket)
(single effect, double effect)



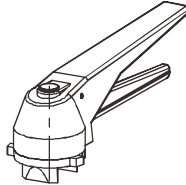
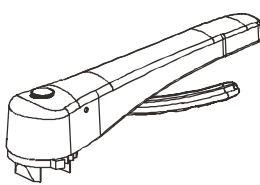
感应气动执行器(单支架)
(单作用、双作用)
Sensor pneumatic actuator(single bracket)
(single effect, double effect)



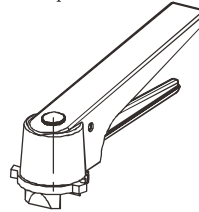
感应气动执行器(双支架)
(单作用、双作用)
Sensor pneumatic actuator(double bracket)
(single effect, double effect)



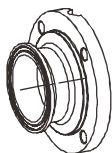
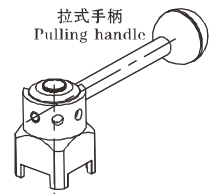
塑料多位手柄
Multi-position plastic handle



不锈钢多位手柄
Multi-position stainless steel handle



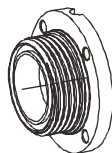
拉式手柄
Pulling handle



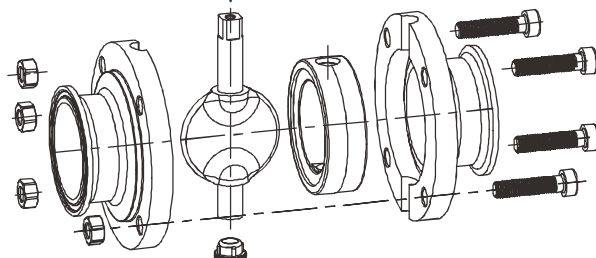
卡箍
clamp



焊接
weld

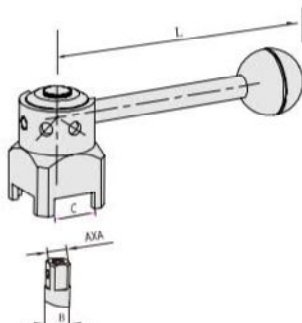


外螺纹
male thread



可供选择的连接方式
May provide alternative connection way

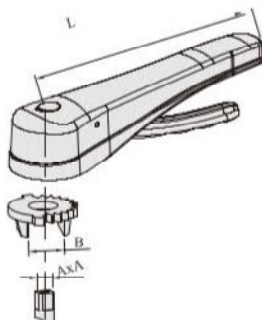
手柄类型 Types of handle



拉式手柄
Pulling handle(2,3,4 position)

SIZE	A	B	C	L
DN25-DN50	1"-2"	8X8	12	20
DN65-DN100	2.5"-4"	10X10	14	22
DN125-DN150	5"-6"	12X12	15	26

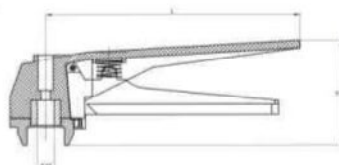
调节方式：2个定位、3个定位、4个定位；可装配所有蝶阀。
Adjusting: 2 position, 3 position, 4 position



塑料多位手柄抓握型
Plastic multi-position trigger handle
Full stainless steel is available

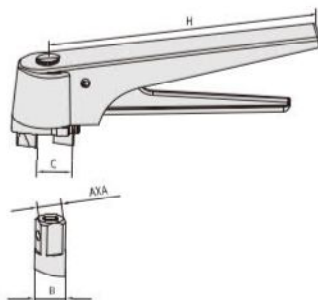
Size	B	L	A
DN10-DN40	Ø19-Ø45	1/2"-1 1/2"	20.2 144 8x8
DN50	Ø48-Ø51	2"	22.2 144 8x8
DN65	Ø63-Ø76	2 1/2"-3"	22.2 160 10x10
DN80-DN100	Ø89-Ø108	3 1/2"-4"	22.2 160 10x10

调节方式：可通过15°位置调节开启大小，共有十二个定位；可装配所有蝶阀。
Adjusting: 15°, 12 position



塑料多位手柄鸭嘴型
Plastic multi-position handle

Size	H	L	KxK
DN10-DN40	0.5"-1.5"	76	150 8x8
DN50-DN65	2"-3"	76	150 10x10
DN80-DN125	3.5"-5"	76	150 11x11

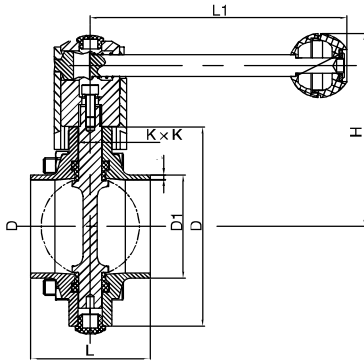


不锈钢多位手柄鸭嘴型
Stainless steel multi-position handle

SIZE	A	B	C	H
DN25-DN50	1"-2"	8X8	10.8	20 8X8
DN65	2.5"-3"	10X10	11.8	22 10X10
DN80-100	4"	11X11	14.8	22 10X10

调节方式：可通过15°位置调节开启大小，共有十二个定位；可装配所有蝶阀。
Adjusting: 15°, 12 position

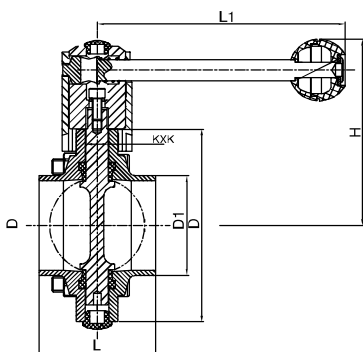
Manual Welded Butterfly Valve



DIN焊接蝶阀/DIN Welded butterfly valve
Part no:BUV01

Size	D1		D	L	L1	H	T	KxK
	1	2						
DN10	12	13	78	50	126	86	1.5	8x8
DN15	18	19	78	50	126	86	1.5	8x8
DN20	22	23	78	50	126	86	1.5	8x8
DN25	28	29	78	50	126	86	1.5	8x8
DN32	34	35	86	50	126	90	1.5	8x8
DN40	40	41	90	50	126	92	1.5	8x8
DN50	52	53	106	52	133	104	1.5	10x10
DN65	70	-	124	56	144	113	2.0	10x10
DN80	85	-	139	60	160	123.5	2.0	11x11
DN100	104	-	159	64	160	133.5	2.0	11x11
DN125	129	-	185	80	220	146.5	2.0	11x11
DN150	154	-	215	90	220	161.5	2.0	11x11
DN200	204	-	285	90	284	199	2.0	11x11

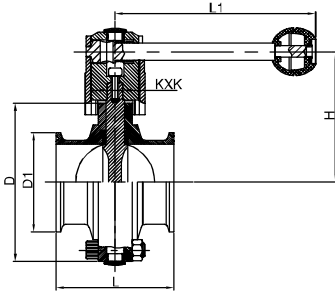
3A,SMS,ISO,IDF焊接蝶阀/Inch Welded butterfly valve
Part no:BUV02



Size	D1	D	L	L1	H	KxK
1/2"	12.7	78	50	126	86	8x8
3/4"	19	78	50	126	86	8x8
1"	25.4	78	50	126	86	8x8
1 1/4"	31.8	78	50	126	86	8x8
1 1/2"	38.1	86	50	126	90	8x8
45	45	90	50	126	92	8x8
48	48	95	52	126	95	8x8
2"	50.8	102	52	133	102	10x10
57	57	106	52	144	104	10x10
2 1/2"	63.5	115	56	144	109	10x10
3"	76.2	128	56	144	115	10x10
3.5"	89	139	60	144	123.5	11x11
4"	102	154	64	144	131	11x11
108	108	159	64	160	133.5	11x11
114	114.3	185	80	160	133.5	11x11
5"	127	185	80	220	146.5	11x11
133	133	215	80	220	146.5	11x11
6"	152.4	215	90	220	161.5	11x11
159	159	215	90	220	161.5	11x11
168.3	168.3	215	90	220	161.5	11x11
8"	203.2	285	90	284	199	14x14
219	219	285	90	284	199	14x14

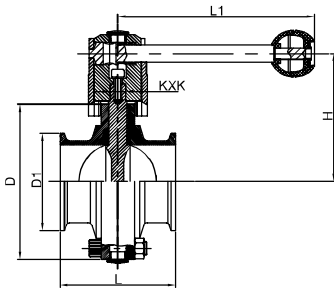
Manual Clamped Butterfly Valve

DIN卡箍蝶阀/DIN Clamped butterfly valve
Part no:BUV03



Size	D1	D	L	L1	H	KXX
DN10	34	78	66	126	86	8x8
DN15	34	78	66	126	86	8x8
DN20	34	78	66	126	86	8x8
DN25	50.5	78	66	126	86	8x8
DN32	50.5	78	66	126	86	8x8
DN40	50.5	86	70	126	90	8x8
DN50	64	102	76	133	102	10x10
DN65	91	120	80	144	111	10x10
DN80	106	134	84	160	121	11x11
DN100	119	154	104	160	131	11x11
DN125	144.5	185	122	220	146.5	11x11
DN125	155	185	122	220	146.5	11x11
DN150	167	215	146	220	161.5	11x11
DN150	183	215	146	220	161.5	11x11
DN200	217.4	285	166	284	199	14x14
DN200	233.5	285	166	284	199	14x14

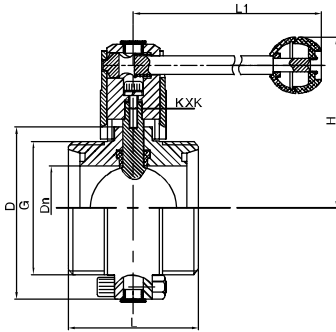
3A,SMS,ISO,IDF卡箍蝶阀/inch Clamped butterfly valve
Part no:BUV04



Size	D1	D	L	L1	H	KXX
1/2"	25.4	78	66	126	86	8x8
3/4"	25.4	78	66	126	86	8x8
1"	50.5	78	66	126	86	8x8
1 1/4"	50.5	78	66	126	86	8x8
1 1/2"	50.5	86	70	126	90	8x8
45	64	90	74	126	92	8x8
48	64	95	76	126	95	8x8
2"	64	102	76	133	102	10x10
57	77.5	106	76	144	104	10x10
2 1/2"	77.5	115	80	144	109	10x10
3"	91	128	84	144	115	10x10
3.5"	106	139	86	144	123.5	11x11
4"	119	154	104	144	131	11x11
108	119	159	106	160	133.5	11x11
114	130	159	106	160	133.5	11x11
5"	144.5	185	122	220	146.5	11x11
133	155	185	122	220	146.5	11x11
6"	167	215	146	220	161.5	11x11
159	183	215	146	220	161.5	11x11
168.3	183	215	146	220	161.5	11x11
8"	217.4	285	166.8	284	199	14x14
219	233.5	285	166.8	284	199	14x14

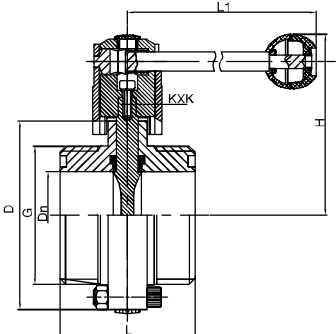
Manual Threaded Butterfly Valve

DIN螺纹蝶阀/DIN threaded butterfly valve
 Part no:BUV05



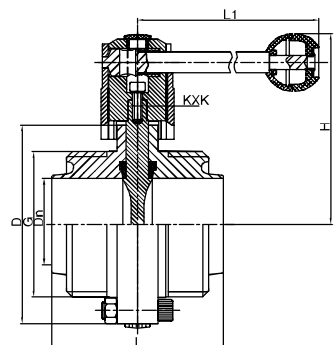
Size	DN	D	L	L1	H	G	KXK
DN10	10	78	66	126	86	RD28x1/8	8x8
DN15	15	78	66	126	86	RD34x1/8	8x8
DN20	19	78	66	126	86	RD44x1/6	8x8
DN25	25	78	66	126	86	RD52x1/6	8x8
DN32	31	86	70	126	90	RD58x1/6	8x8
DN40	37	90	74	126	92	RD65x1/6	8x8
DN50	49	106	76	133	104	RD78x1/6	10x10
DN65	66	124	80	144	113	RD95x1/6	10x10
DN80	81	139	84	160	123.5	RD110x1/4	11x11
DN100	100	159	104	160	133.5	RD130x1/4	11x11
DN125	125	185	130	220	146.5	RD160x1/4	11x11
DN150	150	215	150	220	161.5	RD190x1/4	11x11

SMS螺纹蝶阀/SMS threaded butterfly valve
 Part no:BUV06



Size	DN	D	L	L1	H	G	KXK
Φ19	16	78	66	126	86	RD36x1/8	8x8
Φ25	22.4	78	66	126	86	RD40x1/6	8x8
Φ32	28.8	78	66	126	86	RD48x1/6	8x8
Φ38	35.1	86	70	126	90	RD60x1/6	8x8
Φ51	47.8	102	76	133	102	RD70x1/6	10x10
Φ63	59.5	115	80	144	109	RD85x1/6	10x10
Φ76	72.2	128	84	144	115	RD98x1/6	10x10
Φ89	85	139	86	160	123.5	RD110x1/6	11x11
Φ102 小	97.6	154	104	160	131	RD125x1/6	11x11
Φ102 大	97.6	159	104	160	133.5	RD132x1/6	11x11

RJT螺纹蝶阀/RJT butterfly valve with males ends
 Part no:BUV07

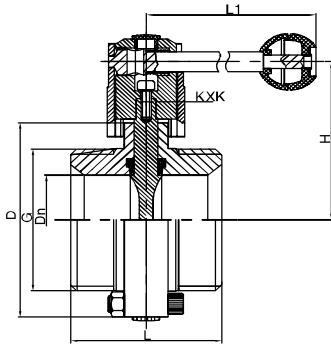


Size	DN	D	L	L1	H	G	KXK
1"	22.2	78	80	126	86	45.7x1/8TWHIT	8x8
1 1/2"	34.9	86	80	126	90	58.4x1/8TWHIT	8x8
2"	47.6	102	84	133	102	72.7x1/6TWHIT	10x10
2 1/2"	60.3	115	84	144	109	85.4x1/6TWHIT	10x10
3"	73.0	128	84	144	115	98.1x1/6TWHIT	10x10
4"	97.5	154	104	160	131	123.8x1/6TWHIT	11x11
6"	148	215	150	220	161.5	174.3x1/6TWHIT	11x11

蝶阀. BUTTERFLY VALVE

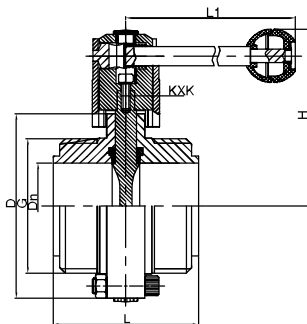
Manual Threaded Butterfly Valve

3A螺纹蝶阀/3A threaded butterfly valve
 Part no:BUV08



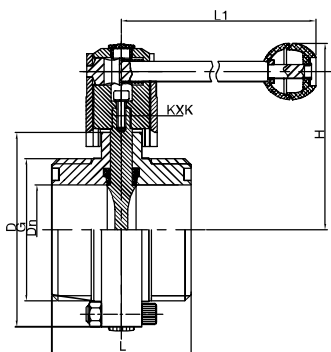
Size	DN	D	L	L1	H	G	KXK
1"	22.1	78	66	126	86	37.1x1/8Acme	8x8
1 1/4"	28.8	78	70	126	86	45.9x1/8Acme	8x8
1 1/2"	34.8	86	70	126	90	50.6x1/8Acme	8x8
2"	47.5	102	76	133	102	64.1x1/8Acme	10x10
2 1/2"	60.2	115	80	144	109	77.6x1/8Acme	10x10
3"	72.9	128	84	144	115	91.1x1/8Acme	10x10
4"	97.4	154	104	160	131	119.2x1/6Acme	11x11

ISO IDF螺纹蝶阀/ISO IDF threaded butterfly valve
 Part no:BUV09



Size	DN	D	L	L1	H	G	KXK
1"	22.4	78	72	126	86	37.1x1/8Acme	8x8
1 1/2"	35.1	86	76	126	90	50.6x1/8Acme	8x8
2"	47.8	102	82	133	102	64.1x1/8Acme	10x10
2 1/2"	59.5	115	86	144	109	77.6x1/8Acme	10x10
3"	72.2	128	90	144	115	91.1x1/8Acme	10x10
4"(ISO)	97.6	154	110	160	131	118.2x1/8Acme	11x11
4"(IDF)	97.6	154	110	160	131	125.9x1/6Acme	11x11

DS螺纹蝶阀/DS threaded butterfly valve
 Part no:BUV10

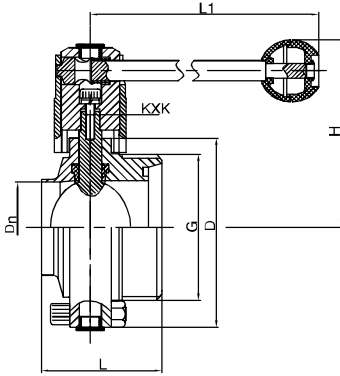


Size	DN	D	L	L1	H	G	KXK
1"	22.4	78	66	126	86	RD44x1/6	8x8
1 1/4"	28.8	78	66	126	86	RD52x1/6	8x8
1 1/2"	35.1	86	70	126	90	RD58x1/6	8x8
2"	47.8	102	76	133	102	RD72x1/6	10x10
2 1/2"	59.5	115	80	144	109	RD88x1/6	10x10
3"	72.2	128	84	144	115	RD100x1/6	10x10
4"	97.6	154	104	160	131	RD130x1/4	11x11

蝶阀. BUTTERFLY VALVE

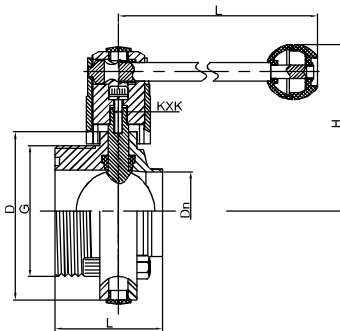
Manual Weld/Threaded Butterfly Valve

DIN单焊单螺纹蝶阀 DIN welded/threaded butterfly valve
 Part no:BUV011



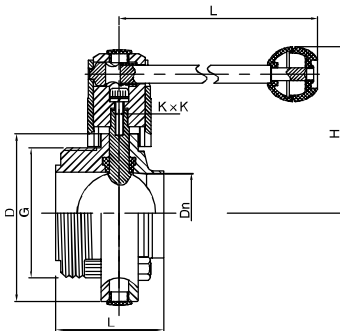
Size	DN	D	L	L1	H	G	KXK
DN10	10	78	58	126	86	RD28x1/8	8x8
DN15	15	78	58	126	86	RD34x1/8	8x8
DN20	19	78	58	126	86	RD44x1/6	8x8
DN25	25	78	58	126	86	RD52x1/6	8x8
DN32	31	86	60	126	90	RD58x1/6	8x8
DN40	37	90	62	126	92	RD65x1/6	8x8
DN50	49	106	64	133	104	RD78x1/6	10x10
DN65	66	124	68	144	113	RD95x1/6	10x10
DN80	81	139	72	160	123.5	RD110x1/4	11x11
DN100	100	159	84	160	133.5	RD130x1/4	11x11
DN125	125	185	105	220	146.5	RD160x1/4	11x11
DN150	150	215	120	220	161.5	RD190x1/4	11x11

SMS单焊单螺纹蝶阀 SMS welded/threaded butterfly valve
 Part no:BUV012



Size	DN	D	L	L1	H	G	KXK
Φ19	16	78	58	126	86	RD36x1/8	8x8
Φ25	22.4	78	58	126	86	RD40x1/6	8x8
Φ32	28.8	78	58	126	86	RD48x1/6	8x8
Φ38	35.1	86	60	126	90	RD60x1/6	8x8
Φ51	47.8	102	64	133	102	RD70x1/6	10x10
Φ63	59.5	115	68	144	109	RD85x1/6	10x10
Φ76	72.2	128	70	144	115	RD98x1/6	10x10
Φ89	85	139	73	160	123.5	RD110x1/6	11x11
Φ102 小	97.6	154	84	160	131	RD125x1/6	11x11
Φ102 大	97.6	159	84	160	133.5	RD132x1/6	11x11

ISO IDF单焊单螺纹蝶阀 ISO IDF welded/threaded butterfly valve Part no:BUV013

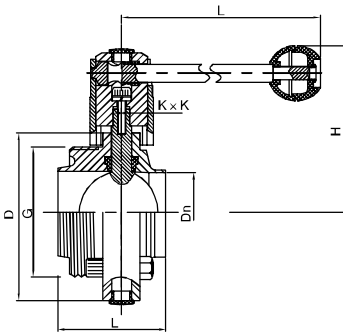


Size	DN	D	L	L1	H	G	KXK
1"	22.4	78	61	126	86	37.1x1/8Acme	8x8
1 1/2"	35.1	86	63	126	90	50.6x1/8Acme	8x8
2"	47.8	102	67	133	102	64.1x1/8Acme	10x10
2 1/2"	59.5	115	71	144	109	77.6x1/8Acme	10x10
3"	72.2	128	73	144	115	91.1x1/8Acme	10x10
4"(ISO)	97.6	154	87	160	131	118.2x1/8Acme	11x11
4"(IDF)	97.6	154	87	160	131	125.9x1/6Acme	11x11

蝶阀. BUTTERFLY VALVE

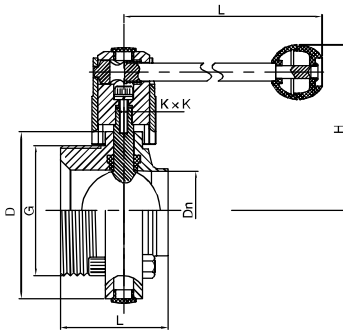
Manual Weld/Threaded Butterfly Valve

RJT单焊单螺纹蝶阀 RJT welded/threaded butterfly valve
 Part no:BUV014



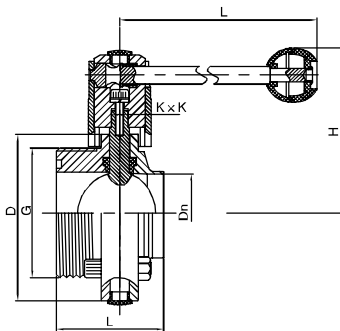
Size	DN	D	L	L1	H	G	KXK
1"	22.2	78	65	126	86	45.7x1/8TWHIT	8x8
1 1/2"	34.9	86	65	126	90	58.4x1/8TWHIT	8x8
2"	47.6	102	68	133	102	72.7x1/6TWHIT	10x10
2 1/2"	60.3	115	70	144	109	85.4x1/6TWHIT	10x10
3"	73.0	128	70	144	115	98.1x1/6TWHIT	10x10
4"	97.5	154	84	160	131	123.8x1/6TWHIT	11x11
6"	148	215	120	220	161.5	174.3x1/6TWHIT	11x11

3A单焊单螺纹蝶阀 3A welded/threaded butterfly valve
 Part no:BUV015



Size	DN	D	L	L1	H	G	KXK
1"	22.1	78	58	126	86	37.1x1/8Acme	8x8
1 1/4"	28.8	78	60	126	86	45.9x1/8Acme	8x8
1 1/2"	34.8	86	60	126	90	50.6x1/8Acme	8x8
2"	47.5	102	64	133	102	64.1x1/8Acme	10x10
2 1/2"	60.2	115	68	144	109	77.6x1/8Acme	10x10
3"	72.9	128	70	144	115	91.1x1/8Acme	10x10
4"	97.4	154	84	160	131	119.2x1/6Acme	11x11

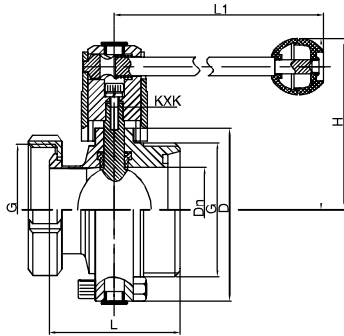
DS单焊单螺纹蝶阀 DS welded/threaded butterfly valve
 Part no:BUV016



Size	DN	D	L	L1	H	G	KXK
1"	22.4	78	58	126	86	RD44x1/6	8x8
1 1/4"	28.8	78	58	126	86	RD52x1/6	8x8
1 1/2"	35.1	86	60	126	90	RD58x1/6	8x8
2"	47.8	102	64	133	102	RD72x1/6	10x10
2 1/2"	59.5	115	68	144	109	RD88x1/6	10x10
3"	72.2	128	70	144	115	RD100x1/6	10x10
4"	97.6	154	84	160	131	RD130x1/4	11x11

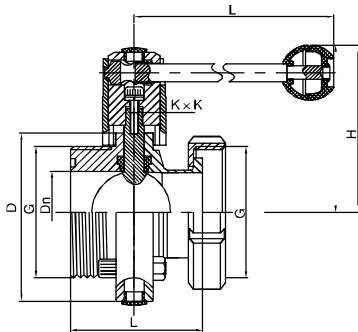
Manual Male/nut Butterfly Valve

DIN单螺纹单螺母蝶阀 DIN male/nut butterfly valve
 Part no:BUV017



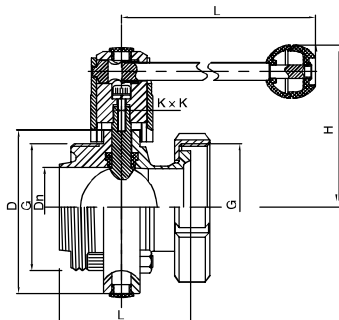
Size	DN	D	L	L1	H	G	KxK
DN10	10	78	75	126	86	RD28x1/8	8x8
DN15	15	78	75	126	86	RD34x1/8	8x8
DN20	19	78	76	126	86	RD44x1/6	8x8
DN25	25	78	80	126	86	RD52x1/6	8x8
DN32	31	86	85	126	90	RD58x1/6	8x8
DN40	37	90	88	126	92	RD65x1/6	8x8
DN50	49	106	92	133	104	RD78x1/6	10x10
DN65	66	124	100	144	113	RD95x1/6	10x10
DN80	81	139	109	160	123.5	RD110x1/4	11x11
DN100	100	159	128	160	133.5	RD130x1/4	11x11
DN125	125	185	139	220	146.5	RD160x1/4	11x11
DN150	150	215	157	220	161.5	RD190x1/4	11x11

SMS单螺纹单螺母蝶阀 SMS male/nut butterfly valve
 Part no:BUV018



Size	DN	D	L	L1	H	G	KxK
Φ19	16	78	70	126	86	RD36x1/8	8x8
Φ25	22.4	78	73	126	86	RD40x1/6	8x8
Φ32	28.8	78	78	126	86	RD48x1/6	8x8
Φ38	35.1	86	80	126	90	RD60x1/6	8x8
Φ51	47.8	102	84	133	102	RD70x1/6	10x10
Φ63	59.5	115	89	144	109	RD85x1/6	10x10
Φ76	72.2	128	91	144	115	RD98x1/6	10x10
Φ89	85	139	94	160	123.5	RD110x1/6	11x11
Φ102 小	97.6	154	105	160	131	RD125x1/6	11x11
Φ102 大	97.6	159	105	160	133.5	RD132x1/6	11x11

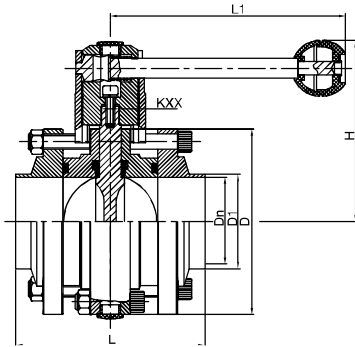
RJT单螺纹单螺母蝶阀 RJT male/nut butterfly valve
 Part no:BUV019



Size	DN	D	L	L1	H	G	KxK
1"	22.2	78	77.7	126	86	45.7x1/8TWHIT	8x8
1 1/2"	34.9	86	77.7	126	90	58.4x1/8TWHIT	8x8
2"	47.6	102	80.7	133	102	72.7x1/6TWHIT	10x10
2 1/2"	60.3	115	82.7	144	109	85.4x1/6TWHIT	10x10
3"	73.0	128	82.7	144	115	98.1x1/6TWHIT	10x10
4"	97.5	154	109.4	160	131	123.8x1/6TWHIT	11x11
6"	148	215	143.5	220	161.5	174.3x1/6TWHIT	11x11

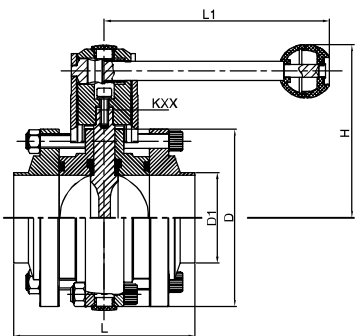
Manual 3-Piece Butterfly Valve

DIN三片式蝶阀 DIN 3-pc butterfly valve
Part no:BUV020



SIZE	D1		D	L	L1	H	t	KXX
	1	2						
DN10	12	13	78	100	126	86	1.5	8X8
DN15	18	19	78	100	126	86	1.5	8X8
DN20	22	23	78	100	126	86	1.5	8X8
DN25	28	29	78	100	126	86	1.5	8X8
DN32	34	35	78	100	126	86	1.5	8X8
DN40	40	41	90	100	126	92	1.5	8X8
DN50	52	53	102	104	133	102	1.5	10X10
DN65	70	-	120	112	144	111	2.0	10X10
DN80	85	-	134	120	160	121	2.0	11X11
DN100	104	-	154	128	160	131	2.0	11X11
DN125	129	-	185	160	220	146.5	2.0	11X11
DN150	154	-	215	180	220	161.5	2.0	11X11
DN200	204	-	285	180	284	199	2.0	14X14

INCH三片式蝶阀 INCH 3-pc butterfly valve
Part no:BUV021

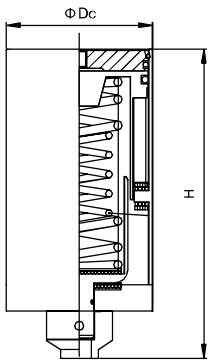


SIZE	D1	D	L	L1	H	KXX
1/2"	12.7	78	100	126	86	8X8
3/4"	19	78	100	126	86	8X8
1"	25.4	78	100	126	86	8X8
1 1/4"	31.8	78	100	126	86	8X8
1 1/2"	38.1	86	100	126	90	8X8
45	45	90	100	126	92	8X8
2"	50.8	102	104	133	102	10X10
57	57	102	104	144	104	10X10
2 1/2"	63.5	115	112	144	109	10X10
3"	76.2	128	112	144	115	10X10
3.5"	89	139	120	144	123.5	11X11
4"	101.6	154	128	144	131	11X11
108	108	159	128	160	133.5	11X11
114	114.3	159	128	160	133.5	11X11
5"	127	185	160	220	146.5	11X11
133	133	185	160	220	146.5	11X11
6"	152.4	215	180	220	161.5	11X11
159	159	215	180	220	161.5	11X11
168.3	168.3	215	180	220	161.5	11X11
8"	203.2	285	180	284	199	14X14
219	219	285	180	284	199	14x14

蝶阀. BUTTERFLY VALVE

Actuator

不锈钢执行器



Stainless Steel Vertical Pneumatic Actuator
 Part no:AC01

选项Option

单作用/Normally open, Normally close 双作用/air to air
 可配接近开关或智能控制器或定位器/Limit switches or intelligent control head or positioner

Size	Dc	H	可配蝶阀 match with butterfly valve		可配球阀 match with ball valve	
Φ85	85.0	180.5	DN20-DN100	1"-4"	DN20-DN50	1"-2"
Φ108	108	223	DN125-DN150	5"-6"	DN65-DN80	2.5"-3"
Φ133	133	400	DN200	8"	DN100	4"

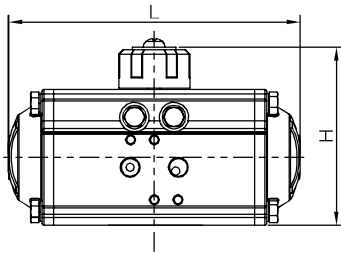


Aluminum Horizontal Actuator
 Part no:AC02

选项Option

单作用/Normally open, Normally close 双作用/air to air
 可配接近开关或智能控制器或定位器/Limit switches or intelligent control head or positioner

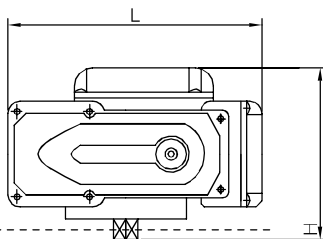
铝制气动执行器



Size	L	H	可配蝶阀 match with butterfly valve		可配蝶式球阀 match with butterfly-type ball valve	
ZT050D	140	89	1"-1.25"	DN20-DN32	0.75"-1"	DN15-DN25
ZT063D	159	105	1.5"-2.5"	DN40-DN65	1.5"-2"	DN32-DN50
ZT075D	210	122	3"-3.5"	DN80	2.5"-3"	DN65-DN80
ZT088D	248	135	4"-5"	DN100-DN125	3"-4"	DN80-DN100
ZT100D	270	147	5"	DN125	4"	DN100

Please contact us for more detailed specifications

电动执行器



Electric Horizontal Actuator
 Part no:AC03

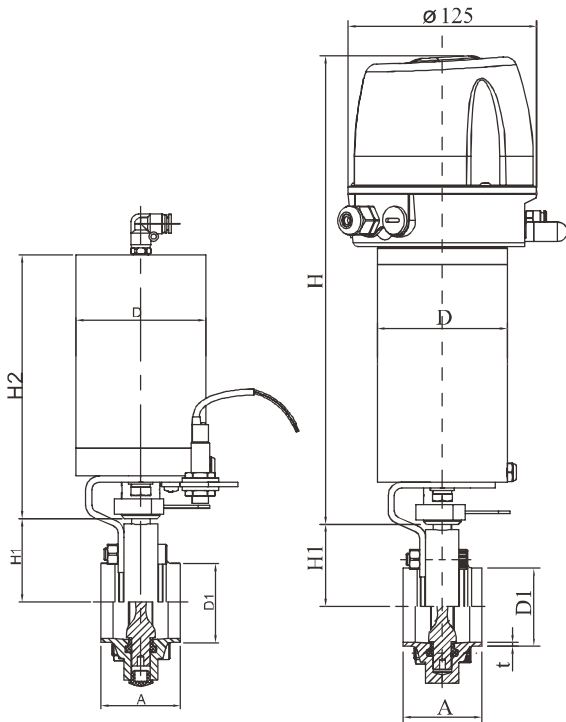
电动装置: 开关到位灯、无源接触点信号、机内智能控制、1K 5K电位计

Electric: on-off indicator light, passive contact signal, intelligent control, 1k 5k potentiometer

Size	L	H	HI	可配蝶阀 match with butterfly valve		可配蝶式球阀 match with butterfly-type ball valve	
HL-05	157.5	115.0	103.0	1"-4"	DN20-DN100	1"-2"	DN15-DN25
HL-10	208.0	124.0	115.0	5"-8"	DN125-DN200	2 1/2"-3"	DN32-DN50
HL-20	280.0	135.0	109.0			4"	DN100

Please contact us for more detailed specifications

蝶阀. BUTTERFLY VALVE

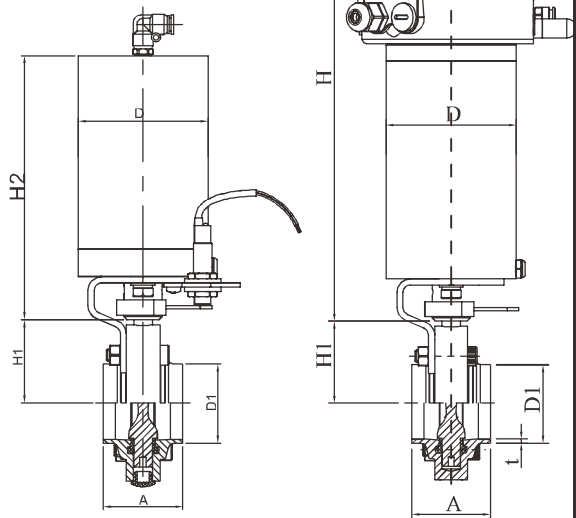


Part no:BUV022

BUV023

DIN 不锈钢气动焊接蝶阀
 Pneumatic SS actuated welded butterfly valve

SIZE	D	A	H	H1	H2	D1	
						1	2
DN10	86	50	305	41		12	13
DN15	86	50	305	41	172.5	18	19
DN20	86	50	305	41		22	23
DN25	86	50	305	41		28	29
DN32	86	50	305	45	172.5	34	35
DN40	86	50	305	47		40	41
DN50	86	50	305	55		52	53
DN65	86	56	305	64	172.5	70	-
DN80	86	60	305	71		85	-
DN100	86	64	305	81	172.5	104	-
DN125	133	74	425	116	248	129	-
DN150	133	80	425	136	285	154	-
DN200	133	88	425	171	294	204	-



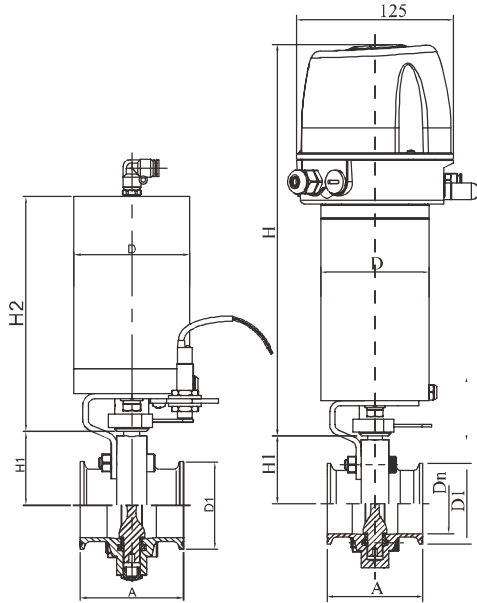
Part no:BUV024

BUV025

Inch 不锈钢气动焊接蝶阀
 Pneumatic SS actuated welded butterfly valve

SIZE	D	A	H	H1	H	D1
1/2"	86	50	305	41		12.7
3/4"	86	50	305	41	172.5	19
1"	86	50	305	41		25.4
1 1/4"	86	50	305	41		31.8
1 1/2"	86	50	305	45	172.5	38.1
45	86	50	305	47		45
48	86	50	305	49		48
2"	86	50	305	53	172.5	50.8
57	86	50	305	55		57
2 1/2"	86	52	305	59		63.5
3"	86	56	305	66	172.5	76.2
3.5"	86	60	305	71		89
4"小	86	64	305	79		101.6
4"大	86	64	305	81	172.5	101.6
108	86	64	305	81		108
114	86	64	305	81		114.3
5"	133	80	425	116	248	127
133	133	80	425	116		133
6"	133	88	425	136		152.4
159	133	88	425	136	285	159
168.3	133	88	425	136		168.3
8"	133	88	425	171	295	203.2
219	133	88	425	171		219

蝶阀. BUTTERFLY VALVE

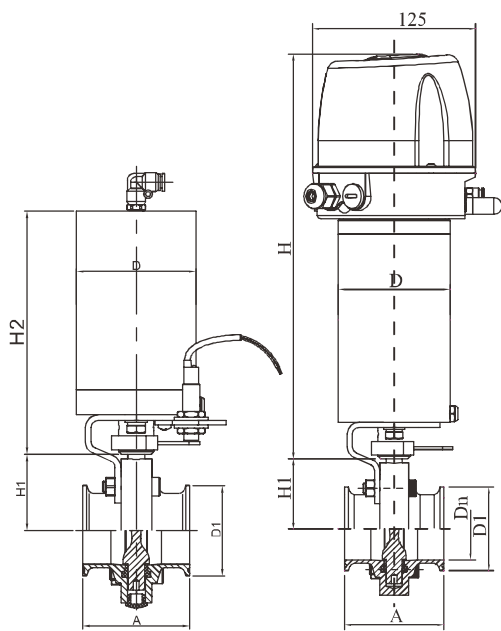


Part no:BUV026

BUV027

DIN 不锈钢气动卡箍蝶阀
Pneumatic SS actuated clamped butterfly valve

Size	Dn	D1	H	H1	H2	A
DN10	9	12	307.5	40	172.5	66
DN15	15	18	307.5	40	172.5	66
DN20	19	22	307.5	40	172.5	66
DN25	25	28	307.5	40	172.5	66
DN32	31	34	307.5	44.5	172.5	66
DN40	37	40	307.5	46.5	172.5	70
DN50	49	52	307.5	54.5	172.5	76
DN65	66	70	307.5	64	172.5	80
DN80	81	85	307.5	70.5	172.5	84
DN100	100	104	307.5	81	172.5	104
DN125	125	129	383	94.5	248	122
DN150	150	154	420	110	285	146
DN200	200	204	429	145	294	166



Part no:BUV028

BUV029

Inch 不锈钢气动卡箍蝶阀
Pneumatic SS actuated clamped butterfly valve

Size	Dn	D1	H	H1	H2	A
1/2"	9.7	12.7	307.5	40	172.5	66
3/4"	16.1	19.1	307.5	40	172.5	66
1"	22.4	25.4	307.5	40	172.5	66
1 1/4"	28.8	31.8	307.5	40	172.5	66
1 1/2"	35.1	38.1	307.5	44.5	172.5	66
ø45	41	45	307.5	46.5	172.5	74
ø48	45	48	307.5	48.5	172.5	76
2"	47.8	50.8	307.5	52.5	172.5	76
ø57	53	57	307.5	54	172.5	76
2 1/2"	59.5	63.5	307.5	59	172.5	80
3"	72.2	76.2	307.5	65.5	172.5	84
3.5"	85	89	307.5	72	172.5	86
4"小	97.6	101.6	307.5	79	172.5	104
4"大	97.6	101.6	307.5	81	172.5	104
108	104	108	307.5	82.5	172.5	106
114.3	110.3	114.3	383	82.5	248	106
133	127	133	383	94.5	248	122
6"	146.8	152.4	420	110	285	146
159	153	159	420	110	285	146
8"	197.6	203.2	429	145	294	166
219	211	219	429	145	294	166
10"	247.2	254	429	174	294	166

蝶阀. BUTTERFLY VALVE

粉体蝶阀

Hygienic Power Tight Butterfly Valve

Application

This type of butterfly valves are ideally designed for powder dispensing systems in pharmaceutical, food and associated industries.

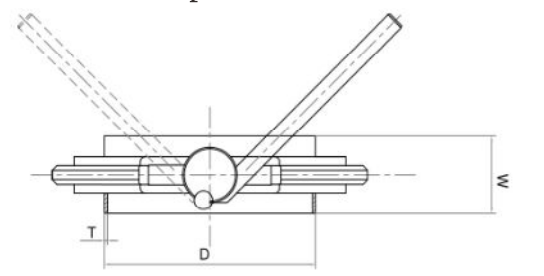
Simple to assemble and breakdown, for easy and thorough cleaning, the rotary valves provide sanitary powder handling in situations where hygiene is essential.

Comprising of four parts (vane, 2 part valve body and connection/discharge collars) the valve is designed for easy connection to a range of powder processing equipment.

The valve vane is available in three variations:

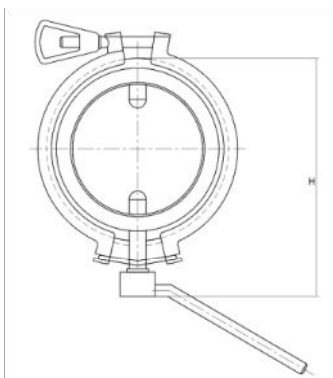
1. A flexible silicone coated disc minimizes product damage during interruption and isolation of capsule or tablet flow
2. A stainless steel disc, designed for powder use, provides an air tight seal in the closed position for complete containment
3. A stainless steel star vane provides improved product flow and reduces buildups.

The valve body can be either clamped around the vane, using the specially designed clamp, or bolted. The connections/discharge collars can be clamped, welded or even connected by Tri-clamp to containers and process lines.



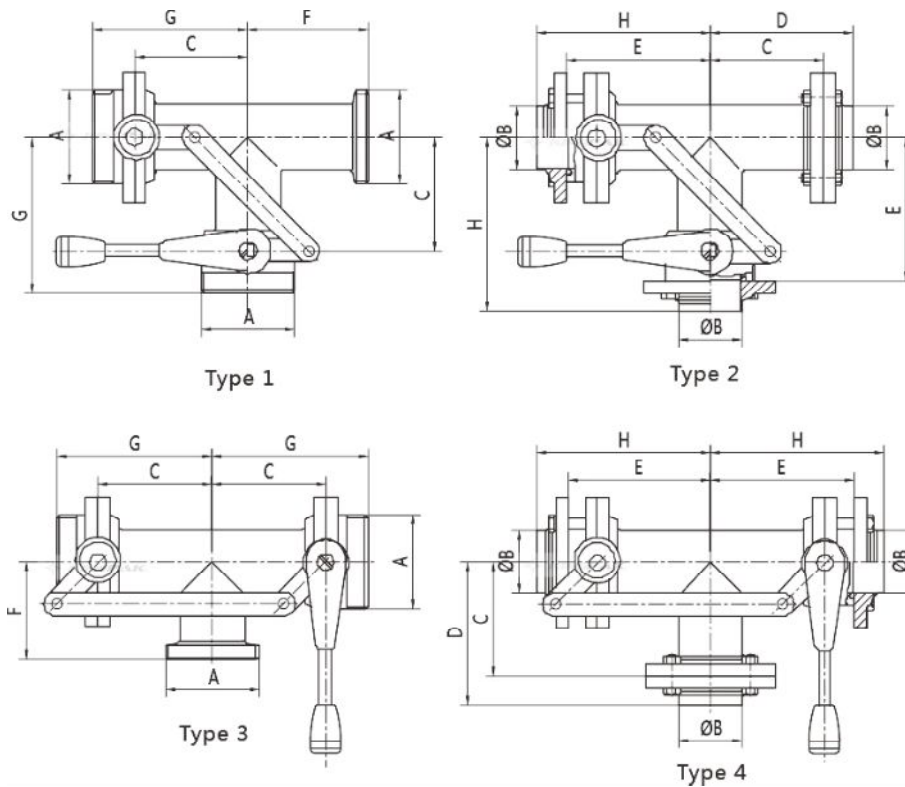
Part no: BUV030

Size	H	W	D	T
4"	230	54	Φ 102	2
6"	290	70	Φ 154	2
8"	356	75	Φ 206	3
12"	440	90	Φ 305	3.5



蝶阀. BUTTERFLY VALVE

三通蝶阀 3 Way Linkage Butterfly Valve



DIN

DN	A	B	C	D	E	F	G	H
DN20	RD44X1/6"	22/23X1.5	62	84	90	59	95	112
DN25	RD52X1/6"	28/29x1.5	72	94	100	72	106	122
DN32	RD58X1/6"	34/35X1.5	79	103	105	77	112	129
DN40	RD65X1/6"	40/41X1.5	84	108	110	82	118	134
DN50	RD78X1/6"	52/53X1.5	94	118	120	93	129	144
DN65	RD95X1/6"	70X2	105	130	130	105	141	155
DN80	RD110X1/4"	85X2	108	146	157	115	154	174
DN100	RD130X1/4"	100X2	120	160	167	130	169	190

Inch

Size	A		B	C	D	E	F	G	H	
	SMS	RJT								
1"	RD40X1/6"	37.13X8TPI ACME	45.72X8TPI WHIT	25.4X1.65	77	99	99	74	105	121
1.5"	RD60X1/6"	50.65X8TPI ACME	58.42X8TPI WHIT	38.1X1.65	94	118	110	93	118	134
2"	RD70X1/6"	64.16X8TPI ACME	72.72X6TPI WHIT	50.8X1.65	106	130	120	105	130	154
2.5"	RD85X1/6"	77.67X8TPI ACME	85.42X6TPI WHIT	63.5X1.65	130	155	148	132	155	173
3"	RD98X1/6"	99.19X8TPI ACME	98.12X6TPI WHIT	76.2X1.65	138	166	156	137	166	184
4"	RD125X1/4"	119.25X6TPI ACME	123.52X6TPI WHIT	101.6X2.11	180	210	198	180	210	228

卫生级球阀.SANITARY BALL VALVE

三片式全包无滞留球阀

Three Piece Full Encapsulated Seat Ball Valve

应用Application

此类型球阀是一款卫生级的阀门，用于高粘度物料的传送和控制。广泛应用于食品，饮料加工，以及制药和化学工业领域

This ball valve is hygienic design, with Encapsulated PTFE seal. Suitable for transporting high viscosity materials.

The valves are widely used in food & beverage processing, pharmaceutical, chemical fields.

设计特点Features

- Full port design
- Balanced encapsulated construction minimizes cold flow
- Precision stainless steel balls reduce torque and friction losses while extending service life
- Lockable handle can prevent accidental actuation
- Integral ISO 5211 mounting pad
- Sizes are available from 1/2"/DN15 to 4"/DN100
- Connection: Welding, Clamp, Threaded



材质Material

Valve body: CF8M or Cf8

Seat: PTFE (Hard sealing)

技术参数：Technical data

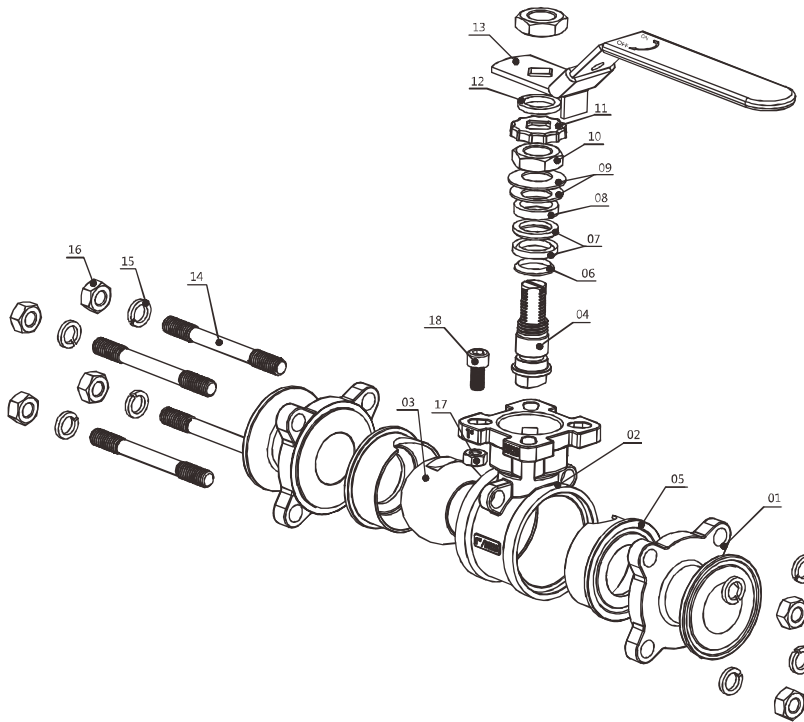
Max. pressure: 10Bar (DN15-DN65/ 1/2"-2 1/2")

8Bar (DN80-DN100/ 3"-4")

Working temperature: -20°C to + 150°C (PTFE)

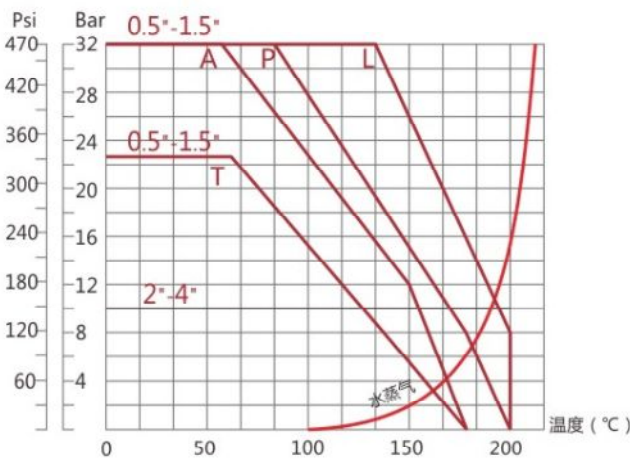


卫生级球阀.SANITARY BALL VALVE



No.	Description	Material
01	Valve Cap	CF8/CF3M
02	Valve Body	CF8/CF3M
03	Ball Core	304/316L
04	Valve Stem	304/316L
05	Body Seal	PTFE
06	Washer Gasket	PTFE
07	V-seal components	PTFE
08	Gasket	304
09	Spring Gasket	304
10	Nut	304
11	Stopper Ring	304
12	Gasket	PTFE
13	Pull Handle	304
14	Bolt	304
15	Spring Washer	304
16	Nut	304
17	Nut	304
18	Bolt	304

球阀压力-温度曲线图
 Pressure And Temperature Curve



T:PTFE
 P:C+PTFE
 A:PTFE(TFMTM)
 L:PTFE(Virgin peek@)

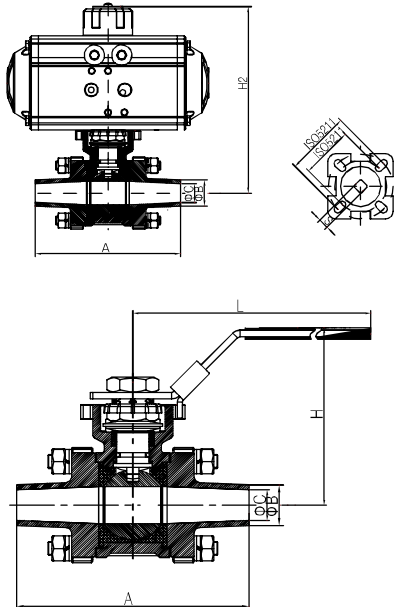
说明：测试条件，介质水
 Note:test under water

三片式全包球阀扭矩表
 THE N.M OF 3 PC FULL PACKAGE BALL VALVE

SIZE	1/2" -3/4"	1" /DN25	1.25" /DN32	1.5" /DN40	2" /DN50	2.5" /DN65	3" Dn80	4" /DN100
扭矩N.M	6	10	12	14	20	40	75	110

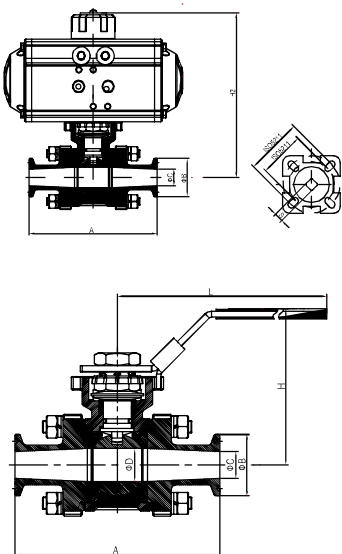
选择执行器时建议增加20%安全余量
 Advice: increasing 20% Safety Margin When Selecting Actuators

卫生级球阀.SANITARY BALL VALVE



Sanitary 3-pc Ball Valve with Welded Ends
 Part no.BAV01

Size	A	B	C	H	H2	L	ISO5211
DN15	90	18	15	60.5	128	132	F04
DN20	102	22	19	64.5	134.5	132	F04
DN25	115	28	25	78	144	165	F04
DN32	125	34	31	87	152.5	170	F04
DN40	140	40	37	98	179.5	194	F05
DN50	156	52	49	107	198.5	194	F05
DN65	170	70	66	130	222.5	252	F07
DN80	197	85	81	153	249.5	252	F07
DN100	242	104	100	162	297	332	F10
1/2"	90	12.7	9.4	60.5	128	132	F04
3/4"	102	19.05	15.8	64.5	134.5	132	F04
1"	115	25.4	22.1	78	144	165	F04
1 1/4"	125	31.8	28.5	87	152.5	170	F04
1 1/2"	140	38.1	35	98	179.5	194	F05
2"	156	50.8	47.5	107	198.5	194	F05
2 1/2"	170	63.5	60.2	130	222.5	252	F07
3"	197	76.2	72.9	153	249.5	252	F07
4"	242	101.6	95	162	297	332	F10



Sanitary 3-pc Ball Valve with Clamped Ends
 Part no.BAV02

Size	A	B	C	H	H2	L	ISO5211
DN15	90	34	15	60.5	128	132	F04
DN20	102	34	19	64.5	134.5	132	F04
DN25	115	50.5	25	78	144	165	F04
DN32	125	50.5	31	87	152.5	170	F04
DN40	140	50.5	37	98	179.5	194	F05
DN50	156	64	49	107	198.5	194	F05
DN65	170	91	66	130	222.5	252	F07
DN80	197	106	81	153	249.5	252	F07
DN100	242	119	100	162	297	332	F10
1/2"	90	25.4	9.4	60.5	128	132	F04
3/4"	102	25.4	15.8	64.5	134.5	132	F04
1"	115	50.5	22.1	78	144	165	F04
1 1/4"	125	50.5	28.5	87	152.5	170	F04
1 1/2"	140	50.5	35	98	179.5	194	F05
2"	156	64	47.5	107	198.5	194	F05
2 1/2"	170	77.5	60.2	130	222.5	252	F07
3"	197	91	72.9	153	249.5	252	F07
4"	242	119	95	162	297	332	F10

卫生级球阀.SANITARY BALL VALVE

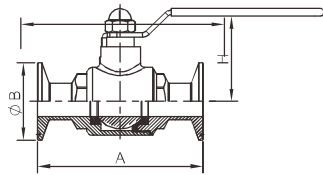
卫生级直通球阀，三通球阀（普通款） Sanitary 2-Way&3-Way Ball Valve

设计和特点

无需维护
 比其他的阀门更小更轻
 操纵扭矩小
 垫圈根据PTFE FDA 177.2600
 无论流体是何种流向，手柄可以安装在侧边的阀体上
 无论是何种连接方式，阀体都可进行更换，而不会改变阀门的总长度
 连接：螺纹，焊接，卡箍，法兰，DIN
 可装配气动执行器，电动执行器
 物料接触部位：AISI 304/316L，其它部位 AISI 304
 三通球阀球芯类型：T型、L型

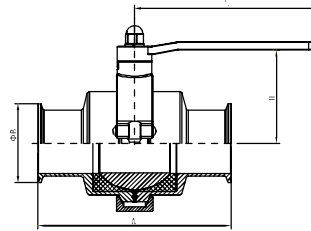
Design and features

Free of maintenances
 Compact and portable
 Small operating torque
 Gasket complies with PTFE FDA 177.2600
 Hand lever can be installed on the side of the valve body, no matter of the flow direction.
 Connection ends: thread, clamp, weld,
 It can match with pneumatic and electric actuators.
 Material for the part contacted with media is AISI 304/316L. Other part is AISI 304
 Type of cores: T type, L type



卡箍直通球阀Clamped 2 Way Ball Valve
Part no:BAV03

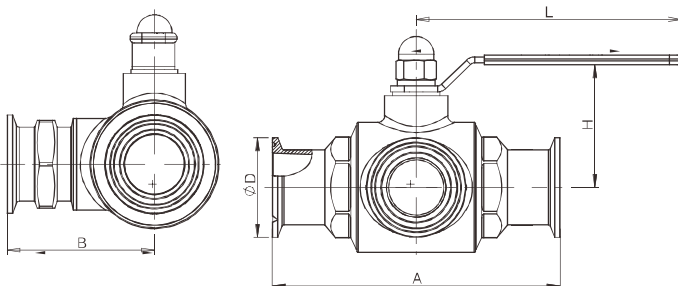
size	A	B	H	L
1/2"	75	25.2	53	111
3/4"	100	25.2	55	114
1"	120	50.5	55	140
1 1/4"	130	50.5	55	140
1 1/2"	140	50.5	65	160
2"	164	64	75	175
2 1/2"	189	77.5	85	230
3"	212	91	100	246
4"	260	119	120	333



卡箍无滞留球阀Clamped Non-resort Ball Valve
Part no:BAV04

Size	A	B	H	L
3/4"	100	50.5	65	105
1"	110	50.5	70	105
1 1/4"	120	50.5	80	130
1 1/2"	140	50.5	80	150
2"	164	64	85	160
2 1/2"	180	77.5	110	180
3"	190	91	130	200
4"	220	119	155	230

卡箍3通球阀Clamped 3 way Ball Valve
Part no:BAV05

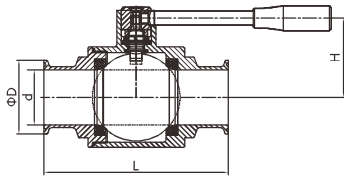


size	A	B	D	H	L
3/4"	101	55	25.2	55	120
1"	120	61	50.5	55	132
1 1/4"	130	60.5	50.5	60	136
1 1/2"	153	73	50.5	65	160
2"	164	84	64	65	178
2 1/2"	200	101	77.5	100	225
3"	210	105	91	110	250
4"	260	132	119	140	300

卫生级球阀.SANITARY BALL VALVE

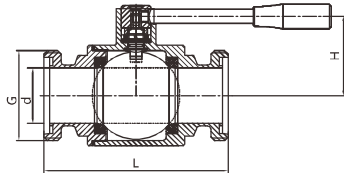
卫生级直通球阀，三通球阀

Sanitary Direct Way & 3-Way Ball Valve



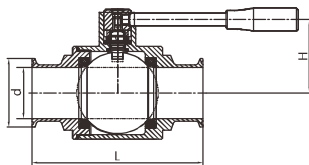
Tri-clamp Direct Way Ball Valve
Part no:BAV06

Size	D	d	L	H
1/2"	25	10	88	29
3/4"	50,5	15,75	108	41
1"	50,5	22,1	112	48
1 1/4"	50,5	28,5	125	54
1 1/2"	50,5	34,8	135	59
2"	64	47,5	160	68
2 1/2"	77,5	60,2	178	78
3"	91	72,9	229	100
DN15	34	15	108	41
DN20	34	19	108	41
DN25	50,5	25	112	48
DN32	50,5	31	125	54
DN40	50,5	37	135	59
DN50	64	49	160	68
DN65	91	66	178	78



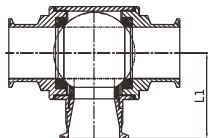
Threaded Direct Way Ball Valve
Part no:BAV07

Size	D	d	L	H
DN15	Rd34x1/8	15	88	29
DN20	Rd44x1/6	19	108	41
DN25	Rd52x1/6	25	112	48
DN32	Rd58x1/6	31	125	54
DN40	Rd65x1/6	37	135	59
DN50	Rd78x1/6	49	160	68
DN65	Rd95x1/6	66	178	78
Dn80	Rd110x1/4	81	178	78



Tri-clamp Three-way Ball Valve
Part no:BAV08

Size	D	d	L	L1	H
1/2"	25	10	88	44	29
3/4"	50,5	15,75	108	54	41
1"	50,5	22,1	112	56	48
1 1/4"	50,5	28,5	125	62,5	54
1 1/2"	50,5	34,8	135	72,5	59
2"	64	47,5	160	80	68
2 1/2"	77,5	60,2	178	89	78
3"	91	72,9	229	114,5	100



T type ball core

A inlet
90 rotation direction



90 rotation direction



L type ball core

A inlet
90 rotation direction

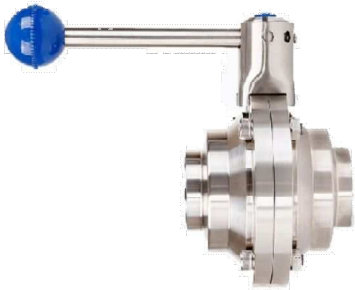


B, C switch inlets
90 rotation direction

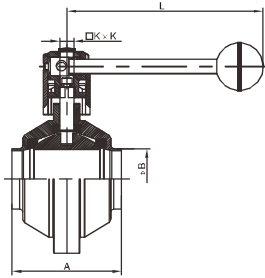


卫生级球阀.SANITARY BALL VALVE

蝶式球阀Butterfly Type Ball Valve

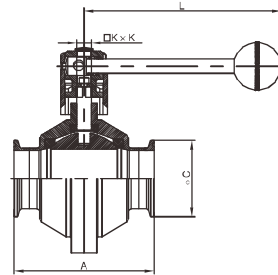


焊接蝶式球阀
Welded Butterfly Type Ball Valve
Part no:BAV09



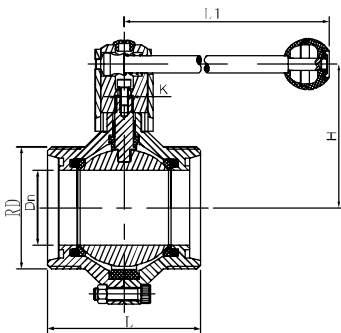
Size	A	B	L	KxK
1"	72	25.4	126	8x8
1 1/4"	80	31.8	126	8x8
1 1/2"	84	38.1	133	10x10
2"	98	50.8	144	10x10
2 1/2"	116	63.5	160	11x11
3"	132	76.2	220	11x11
4"	164	101.6	284	14x14
DN25	72	28/29	126	8x8
DN32	80	34/35	126	8x8
DN40	84	40/41	133	10x10
DN50	98	52/53	144	10x10
DN65	120	70	160	11x11
DN80	140	85	220	11x11
DN100	164	104	284	14x14

卡箍蝶式球阀
Clamped Butterfly Type Ball Valve
Part no:BAV10



Size	A	C	L	KxK
1"	72	50.5	126	8x8
1 1/4"	80	50.5	126	8x8
1 1/2"	84	50.5	133	10x10
2"	98	64	144	10x10
2 1/2"	116	77.5	160	11x11
3"	132	91	220	11x11
4"	164	119	284	14x14
DN25	72	50.5	126	8x8
DN32	80	50.5	126	8x8
DN40	84	50.5	133	10x10
DN50	98	64	144	10x10
DN65	120	91	160	11x11
DN80	140	106	220	11x11
DN100	164	119	284	14x14

DIN螺纹式蝶式球阀DIN threaded Ball Valve
Part no:BAV11



Size	Dn	Rd	L	L1	H	KXK
DN15	15	Rd34x1/8	70	143	60	8x8
DN20	19	Rd44x1/6	70	143	60	8x8
DN25	25	Rd52x1/6	85	143	68	8x8
DN32	31	Rd58x1/6	85	143	68	8x8
DN40	38	Rd65x1/6	100	143	75	10x10
DN50	49	Rd78x1/6	102	143	85	10x10
DN65	66	Rd95x1/6	125	143	107	11x11
DN80	81	Rd110x1/4	135	186	117	11x11
DN100	100	Rd130x1/4	170	215	140	14x14

SMS螺纹蝶式球阀SMS Threaded Ball Valve
Part no:BAV12

Size	Dn	Rd	L	L1	H	KXK
19	15.8	Rd34x1/8	70	143	60	8x8
32	22.4	Rd48x1/6	85	143	60	8x8
38	28.8	Rd60x1/6	85	143	68	8x8
51	35.1	Rd70x1/6	100	143	68	10x10
63	47.8	Rd85x1/6	102	143	85	10x10
76	60.5	Rd98x1/6	125	143	107	11x11
89	73.2	Rd110x1/6	135	186	117	11x11
101.6	97.6	Rd125x1/4	170	215	140	14x14

卫生级球阀.SANITARY BALL VALVE

罐底全包球阀 Tank Bottom Ball Valve

工作原理 Working Principle

罐底球阀配有特殊罐底连接法兰，用于焊接在反应罐或容器底部，其端部轮廓和半径具有有效的重力排放作用，平滑的锥形孔和罐内超近距离的球体可防止介质在阀门入口处堆积，确保排泄畅通

The tank bottom valve is welded flush to the bottom of tank, providing a fast, unrestricted discharge of medium.

The weld-in-one piece tank pas is designed to bolt directly to the valve body center.

FEATURES

- Full port design
- Integral ISO 5211 mounting pad
- 1000 psi WOG
- Lockable handle can prevent accidental actuation
- Sizes are available from 1/2"/DN15 to 4"/DN100
- Connection: Welding, Clamp, Flange or others upon request

- Automatic operation : pneumatic stainless steel actuator (vertical type), pneumatic aluminum actuator (horizontal type) and electric actuator

NC operated: normally closed (fail closed)—air to open, spring to close

NO operated: normally open (fail open)—air to close, spring to open

AA operated: double acting—air to open, air to close

MATERIAL

Valve body: CF8 or CF8M

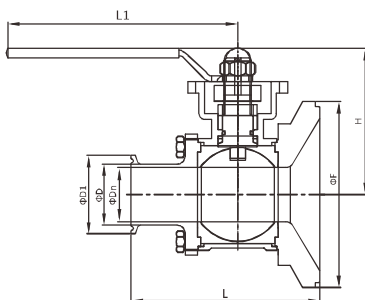
Valve seat: PTFE

TECHNICAL SPECIFICATIONS

Max. pressure: 10Bar (DN15-DN65/ 1/2"-21/2")

8Bar (DN80-DN100/ 3"-4")

Working temperature: -20°C to + 150°C (PTFE)



Tank Bottom 3-pc non-retention Ball Valve
 Part no:BAV13

Size	Dn	D	D1	F	L	L1	H
1"	22,1	25,4	50,5	120	106	170	78
1 1/2"	34,8	38,1	50,5	120	125	173	98
2"	47,5	50,8	64	150	140	173	107
2 1/2"	60,2	63,5	77,5	180	155	223	130
3"	72,9	76,2	91	212	176	335	163
4"	87,4	101,6	119	248	210	335	169
DN25	25	28	50,5	120	106	170	78
DN40	37	40	50,5	120	125	173	98
DN50	49	52	64	150	140	173	107
DN65	66	70	91	180	155	223	130
DN80	81	85	106	212	176	335	163
DN100	100	104	119	248	210	335	169

二片式内螺纹球阀 Two-Piece Type Ball Valve



(1000WOG-A)二片式内螺纹球阀
(1000 WOG-A)2PC Type Ball Valve



(1000WOG)二片式内螺纹球阀
(DIN3202-M3)(1000 WOG)2PC
Type Ball Valve(DIN3202-M3)



(2000WOG)二片式内螺纹球阀
(2000WOG)2PC Type Ball Valve



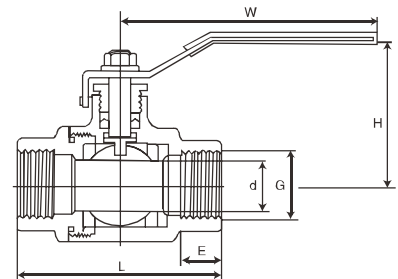
(3000WOG)二片式内螺纹球阀(防火型)
(3000WOG)2PC Type Ball Valve With

性能规范

公称压力: PN1.6, 2.5, 4.0, 6.4MPa
强度试验压力: PT2.4, 3.8, 6.0, 9.6MPa
低压气密封试验压力: 0.6MPa
适用介质: Q11F-(16-64)C 水、油品、气
Q11F-(16-64)P 硝酸类
Q11F-(16-64)R 醋酸类
适用温度: -40~180°C

Specifications

Nominal pressure:PN1.6,2.5,4.0,6.4MPa
Strength testing pressure:DT2.4,3.8,6.0,
9.6MPa (low pressure):0.6MPa
Seat testing pressure:
Applicable media:
Q11F-(16-64)C water. Oil .Gas
Q11F-(16-64)P Nitric acid
Q11F-(16-64)R Acetic acid
Applicable temperature:-40~180°C
(WCB,CF8,CF8M)



主要零件材料

Materials of main parts

零件名称 Description Of Parts	Q11F-(16-64)C	Q11F-(16-64)P	Q11F-(16-64)R
阀体 Body	WCB	ZG1Cr18Ni9Ti CF8	ZG1Cr18Ni12Mo2Ti CF8M
阀盖 Bonnet	WCB	ZG1Cr18Ni9Ti CF8	ZG1Cr18Ni12Mo2Ti CF8M
球体 Ball	1Cr18Ni9Ti 304	1Cr18Ni9Ti 304	1Cr18Ni12Mo2Ti 316
阀杆 Stem	1Cr18Ni9Ti 304	1Cr18Ni9Ti 304	1Cr18Ni12Mo2Ti 316
密封圈 Sealing	聚四氟乙烯 Polytetrafluorethylene(PTFE)		
填料 Packing	聚四氟乙烯 Polytetrafluorethylene(PTFE)		

主要外形尺寸

Main outer size

DN	G	d	L		E	H	W
			①	②-M3			
8	1/4"	10	55	55	11.5	50	90
10	3/8"	12	55	60	11.5	50	90
15	1/2"	15	63	75	14	58	90
20	3/4"	20	73	80	15	62	110
25	1"	25	84	90	15	72	120
32	1 1/4"	32	98	110	18	80	130
40	1 1/2"	38	106	120	19	90	150
50	2"	50	121	140	19	98	170
65	2 1/2"	64	146	185	23	125	220
80	3"	78	166	205	25	138	240
100	4"	100	204	240	28	156	300

三片式内螺纹球阀 Three-Piece Type Ball Valve

性能规范

公称压力: PN1.6, 2.5, 4.0, 6.4MPa
 强度试验压力: PT2.4, 3.8, 6.0, 9.6MPa
 低压气密封试验压力: 0.6MPa
 适用介质: Q11F-(16-64)C 水、油品、气
 Q11F-(16-64)P 硝酸类
 Q11F-(16-64)R 醋酸类
 适用温度: -40~180℃

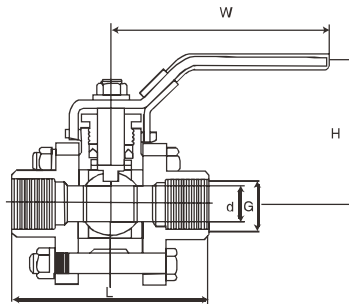
Specifications

Nominal pressure: PN1.6, 2.5, 4.0, 6.4MPa
 Strength testing pressure: PT2.4, 3.8, 6.0, 9.6MPa
 Seat testing pressure (low pressure): 0.6MPa
 Applicable media:
 Q11F-(16-64)C Water .Oil. Gas
 Q11F-(16-64)P Nitric acid
 Q11F-(16-64)R Acetic acid
 Applicable temperature: -40~180℃



(1000WOG-A)三片式内螺纹球阀
(1000WOG-A)3PC Type Ball Valve

WCB、CF8、CF8M)



主要零件材料 Materials of main parts

零件名称 Description Of Parts	Q11F-(16-64)C	Q11F-(16-64)P	Q11F-(16-64)R
阀体 Body	WCB	ZG1Cr18Ni9Ti CF8	ZG1Cr18Ni12Mo2Ti CF8M
阀盖 Bonnet	WCB	ZG1Cr18Ni9Ti CF8	ZG1Cr18Ni12Mo2Ti CF8M
球体 Ball	1Cr18Ni9Ti 304	1Cr18Ni9Ti 304	1Cr18Ni12Mo2Ti 316
阀杆 Stem	1Cr18Ni9Ti 304	1Cr18Ni9Ti 304	1Cr18Ni12Mo2Ti 316
密封圈 Sealing	聚四氟乙烯 Polytetrafluorethylene(PTFE)		
填料 Packing	聚四氟乙烯 Polytetrafluorethylene(PTFE)		



(1000 WOG)三片式内螺纹球阀
(DIN3202-M3) (1000WOG)3PC Type

主要外形尺寸 Main outer size

DN	G	d	L	H	W
8	1/4"	10	65	50	90
10	3/8"	12	65	50	90
15	1/2"	15	70/75/61	55	100
20	3/4"	20	80/80/69	60	120
25	1"	25	90/90/80	70	140
32	1 1/4"	32	110/110/96	82	140
40	1 1/2"	38	120/120/104	90	180
50	2"	50	140/140/125	105	200
65	2 1/2"	64	160/185	120	220
80	3"	78	180/205	132	240
100	4"	100	215/240	160	300

三片式焊接球阀 Three-Piece Type Welded Ball Valve



(1000 WOG)三片式焊接球阀
(1000 WOG)3PC Type Welded Ball Valve

性能规范

公称压力: PN1.6, 2.5, 4.0, 6.4MPa
 强度试验压力: PT2.4, 3.8, 6.0, 9.6MPa
 低压气密封试验压力: 0.6MPa
 适用介质: Q61F-(16-64)C 水、油品、气
 Q61F-(16-64)P 硝酸类
 Q61F-(16-64)R 醋酸类
 适用温度: -40~180℃

Specifications

Nominal pressure: PN1.6, 2.5, 4.0, 6.4MPa
 Strength testing pressure: PT2.4: 3.8, 6.0, 9.6MPa
 Seat testing pressure (low pressure): 0.6MPa
 Applicable media:
 Q61F-(16-64)C Water, Oil, Gas
 Q61F-(16-64)P Nitric acid
 Q61F-(16-64)R Acetic acid
 Applicable temperature: -40~180℃

(WCB、CF8、CF8M)



(1000 WOG)带接管三片式焊接球阀
(1000 WOG)3PC Welded Ball Valve With Connection Pipe

主要零件材料

Materials of main parts

零件名称 Description Of Parts	Q61F-(16-64)C	Q61F-(16-64)P	Q61F-(16-64)R
阀体 Body	WCB	ZG1Cr18Ni9Ti CF8	ZG1Cr18Ni12Mo2Ti CF8M
阀盖 Bonnet	WCB	ZG1Cr18Ni9Ti CF8	ZG1Cr18Ni12Mo2Ti CF8M
球体 Ball	1Cr18Ni9Ti 304	1Cr18Ni9Ti 304	1Cr18Ni12Mo2Ti 316
阀杆 Stem	1Cr18Ni9Ti 304	1Cr18Ni9Ti 304	1Cr18Ni12Mo2Ti 316
密封圈 Sealing	聚四氟乙烯 Polytetrafluorethylene (PTFE)		
填料 Packing	聚四氟乙烯 Polytetrafluorethylene (PTFE)		

主要外形尺寸

Main outer size

DN	G	L	H	W
8	1/4"	65	52	90
10	3/8"	65	52	90
15	1/2"	70/61	65	100
20	3/4"	80/69	70	120
25	1"	90/80	78	140
32	1 1/4"	110/96	82	140
40	1 1/2"	120/104	90	180
50	2"	140/125	98	200
65	2 1/2"	160	140	220
80	3"	180	155	240
100	4"	215	122	300



(1000 WOG)加长三片式焊接球阀
(1000 WOG)3PC Welded Ball Valve With Extended Pipe

一片式内螺纹球阀

One-Piece Type Ball Valve With Internal Thread



(1000 WOG)一片式内螺纹球阀
(1000 WOG)1PC Type Ball Valve With



(1000 WOG)一片式内螺纹球阀带锁
(1000 WOG)1PC Type Ball Valve With(Locking)



(1000 WOG)一片式球阀蝶形手柄
(1000 WOG)1PC Type Ball Valve With Internal Thread Butterfly handle



带检测孔一片式球阀
1PC Ball Valve With Test Hole

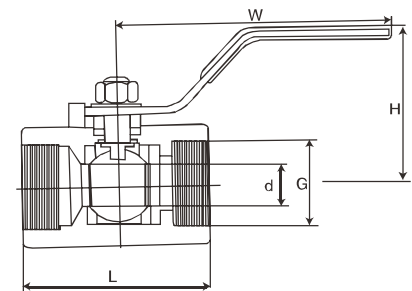
性能规范

公称压力: PN1.6, 2.5, 4.0, 6.4MPa
强度试验压力: PT2.4, 3.8, 6.0, 9.6MPa
低压气密封试验压力: 0.6MPa
适用介质: Q11F-(16-64)C 水、油品、气
Q11F-(16-64)P 硝酸类
Q11F-(16-64)R 醋酸类
适用温度: -40~180°C

Specifications

Nominal pressure:PN1.6,2.5,4.0,6.4MPa
Strength testing pressure:PT2.4,3.8,6.0,9.6MPa
Seat testing pressure(low pressure):0.6MPa
Applicable media:
Q11F-(16-64)C Water.Oil.Gas
Q11F-(16-64)P Nitric acid
Q11F-(16-64)R Acetic acid
Applicable temperature:-40~180°C

(WCB、CF8、CF8M)



主要零件材料

Materials of main parts

零件名称 Description Of Parts	Q11F-(16-64)C	Q11F-(16-64)P	Q11F-(16-64)R
阀体 Body	WCB	ZG1Cr18Ni9Ti CF8	ZG1Cr18Ni12Mo2Ti CF8M
球体 Ball	1Cr18Ni9Ti 304	1Cr18Ni9Ti 304	1Cr18Ni12Mo2Ti 316
阀杆 Stem	1Cr18Ni9Ti 304	1Cr18Ni9Ti 304	1Cr18Ni12Mo2Ti 316
密封圈 Sealing	聚四氟乙烯 Polytetrafluorethylene(PTFE)		
填料 Packing	聚四氟乙烯 Polytetrafluorethylene(PTFE)		

主要外形尺寸

Main outer size

DN	G	d	L	H	W
8	1/4"	5	40	28	70
10	3/8"	7	45	30	70
15	1/2"	9	55	34	90
20	3/4"	12	60	38	90
25	1"	15	70	50	110
32	1 1/4"	20	80	56	120
40	1 1/2"	25	86	60	130
50	2"	32	101	65	140
65	2 1/2"	38	117	72	170
80	3"	50	140	105	185

内螺纹三通球阀 Female Three Way Ball Valve

性能规范

公称压力: PN1.6, 2.5, 4.0, 6.4MPa
 强度试验压力: PT2.4, 3.8, 6.0, 9.6MPa
 低压气密封试验压力: 0.6MPa
 适用介质: Q₁₅¹⁴F-(16-64)C 水、油品、气
 Q₁₅¹⁴F-(16-64)P 硝酸类
 Q₁₅¹⁴F-(16-64)R 醋酸类
 适用温度: -40~180°C

Specifications

Nominal pressure: PN1.6, 2.5, 4.0, 6.4MPa
 Strength testing pressure: PT2.4, 3.8, 6.0, 9.6MPa
 Seat testing pressure (low pressure): 0.6MPa
 Applicable media:
 Q₁₅¹⁴F-(16-64)C Water, Oil, Gas
 Q₁₅¹⁴F-(16-64)P Nitric acid
 Q₁₅¹⁴F-(16-64)R Acetic acid
 Applicable temperature: -40~180°C



(WCB、CF8、CF8M)

主要零件材料

Materials of main parts

零件名称 Description Of Parts	Q ₁₅ ¹⁴ F-(16-64)C	Q ₁₅ ¹⁴ F-(16-64)P	Q ₁₅ ¹⁴ F-(16-64)R
阀体 Body	WCB	ZG1Cr18Ni9Ti CF8	ZG1Cr18Ni12Mo2Ti CF8M
阀盖 Bonnet	WCB	ZG1Cr18Ni9Ti CF8	ZG1Cr18Ni12Mo2Ti CF8M
球体 Ball	1Cr18Ni9Ti 304	1Cr18Ni9Ti 304	1Cr18Ni12Mo2Ti 316
阀杆 Stem	1Cr18Ni9Ti 304	1Cr18Ni9Ti 304	1Cr18Ni12Mo2Ti 316
密封圈 Sealing	聚四氟乙烯 Polytetrafluorethylene(PTFE)		
填料 Packing	聚四氟乙烯 Polytetrafluorethylene(PTFE)		

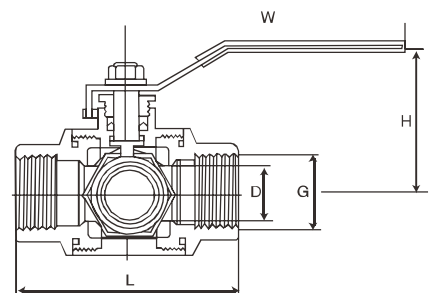


(1000 WOG)T/L型内螺纹三通球阀
 (1000 WOG)Female 3 Way Ball Valve
 Q₁₅¹⁴F-(16-64)C,P,R

主要外形尺寸

Main outer size

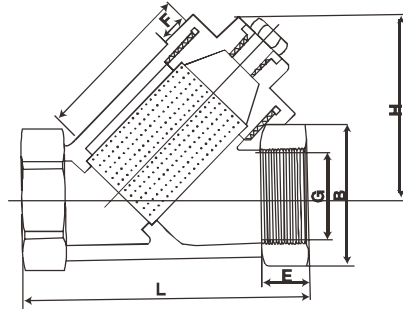
DN	G	L	d	H	W
8	1/4"	74	10	58	110
10	3/8"	74	12	58	110
15	1/2"	74	12	58	110
20	3/4"	88	15	60	120
25	1"	92	20	70	140
32	1 1/4"	124	25	82	140
40	1 1/2"	138	32	95	180
50	2"	154	38	100	200





Y型内螺纹过滤器
Y-type Female Strainer
SY11-(16-64)C、P、R

Y型内螺纹过滤器 Y-type Female Strainer



DN	G	L	E	B	H
8	1/4"	64	12	24	44
10	3/8"	64	12	24	44
15	1/2"	64	14	26	44
20	3/4"	75	15	32	52
25	1"	89	17	41	64
32	1 1/4"	102	20	49	68
40	1 1/2"	118	20	56	76
50	2"	139	22	69	88

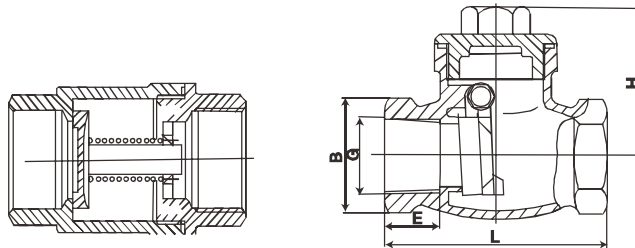


Y型内螺纹过滤器带排污口
Y-type Female Strainer
(with end cap plug)
SY11-(16-64)C、P、R



2PC内螺纹弹簧止回阀
2PC Spring Female Check Valve

内螺纹止回阀 Female Check Valve

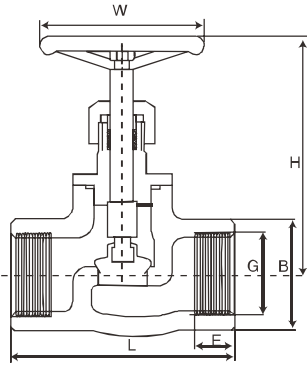


DN	G	L	E	B	H
8	1/4"	64	10	24	42
10	3/8"	64	10	24	42
15	1/2"	64	12	26	45
20	3/4"	80	17	32	53
25	1"	90	20	41	60
32	1 1/4"	105	20	51	64
40	1 1/2"	120	20	58	76
50	2"	140	23	69	82
65	2 1/2"	165	27	86	89



内螺纹旋启式止回阀
Female Swing Check Valve

美式内螺纹截止阀
American Type Female Globe Valve

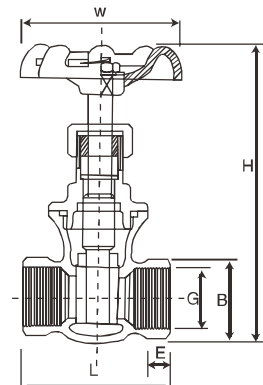


DN	G	L	E	B	H	W
8	1/4"	65/68	15	23	80	70
10	3/8"	65/68	15	26	80	70
15	1/2"	65/65	16	31	88	70
20	3/4"	70/75	18	38	95	70
25	1"	80/90	20	46	110	80
32	1 1/4"	90/105	21.5	56	123	100
40	1 1/2"	100/120	23	63	135	100
50	2"	120/140	24.5	76	150	100



不锈钢内螺纹闸阀
Female Gate Valve

DN	G	L	E	B	H	W
15	1/2"	55	16	31	90	70
20	3/4"	60	18	38	98	70
25	1"	68	20	46	108	70
32	1 1/4"	76	21.5	56	128	80
40	1 1/2"	80	23	63	152	100
50	2"	93	24.5	76	166	100



气动角座阀.ANGLE SEAT VALVE

应用：

控制气体：中性气体，空气 控制液体：自动化工业控制流体、食品级乳工业、生活用水、普通管道流体介质等。角座阀广泛应用于短时间频繁启动，具有反应灵敏，动作准确的特点。

工作原理：

角座阀保持流速能够节省空间。它采用带弹簧安全保护的单作用气动执行机构来操作的导向角座阀。使用时，应该选择常开或常闭。

产品由不锈钢铸造和聚四氟乙烯。可用于大多数气体，液体。蒸汽和腐蚀性场合。它带有散热器来保护执行机构。确保阀具有较长寿命。

技术参数：

压力范围：0-2.5MPa (即 PN0-PN25)
 介质温度：-20℃ ~+180℃ (常温型)
 -20℃ ~+300℃ (高温型)
 环境温度：-10℃ ~+60℃

- Water/Sewage Disposal

TECHNICAL DATA

Fluid Pressure:	Max 1.6MP a (232psi)
Control Pressure:	0.3-0.8MPa (43.5-116psi)
Media Temperature:	-10℃ to 180℃
Ambient Temperature:	-10℃ to 55℃
Body Material	CF8M(SS316), CF8(SS304)
Seals Material:	PTFE
Actuator Material:	PA polyamide, CF8 (SS304)
Operation:	Normally Closed, Normally Open, Double-acting or Manually
Connection End:	Female, Weld, Tri-clamp, Flanged or on request
Available Size:	DN10- DN100
Option:	Proximity Switch, Solenoid Valve, Manual Travel Limit

ADVANTAGES

- High Flow Rate, Low Resistance, No Water-Hammer
- Y-type Shape Enlarged The Flowing Section, Which Could Raise The Flux By 30% And Make Flow More Smooth
- High Cycle Life Compared To Ball Valves
- Which Help The Stem Adjust And Lubricate Itself Automatically
- Installation: Any position

特点：

1. 具有阀门开或关位置显示。
2. 外部气动先导，可增加使用寿命，免维护。
3. 溢流口与滑块间有自调节密封压盖，可提高密封性能。
4. 阀体角座结构，可实现大流量（特别是与普通截止阀相比较）结构紧凑响应快。

标准设计：

单作用（气动头通常为一个孔）；工作原理：根据弹簧复位达到开启和关闭的作用，分为常开型与常闭型。

双作用（气动头通常为两个孔）；工作原理：给气控制其开关。（根据客户要求，还可以选双作用加弹簧复位，控制更精准）

气动角座阀按管道安装类别可分为：焊接式连接 快装式连接 螺纹式连接 法兰式连接

气动角座阀按执行器种类分为：塑料执行器角座阀 不锈钢执行器角座阀

材料：

阀体材料：304/316L 不锈钢
 密封材料：聚四氟乙烯
 执行机构外壳：聚酰胺、不锈钢



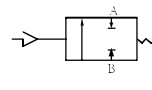
Plastic actuator



stainless steel actuator

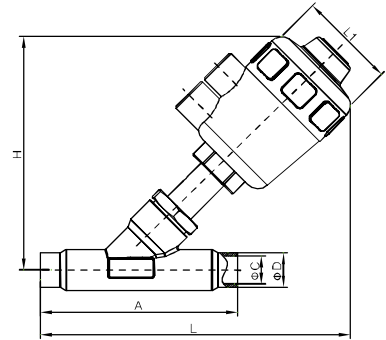
气动角座阀.ANGLE SEAT VALVE

Welded Angle Seat Valve
 Part no:ASV01

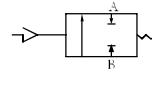
焊接尺寸 (mm)	Kv 值 (m ³ /h)	最大工作压力 (bar)	要求最小控制压力 (bar)	流向	控制功能
18	8	0-16	2.7	阀座上方	
22	19	0-16	2.0		
28	27.5	0-16	2.0		
34	42	0-16	2.0		
40	52	0-16	2.0		
52	77	0-14	1.6		

Size	A	D	C	II	I	L1	
DN15	3/4"	120	18	15	137	180	64
DN20		140	22	19	145	185	64
DN25	1"	160	28	25	173	210	80
DN32	1 1/4"	176	34	31	210	240	80
DN40	1 1/2"	190	40	37	260	250	80
DN50	2"	210	52	49	301	330	100

焊接式气动角座阀

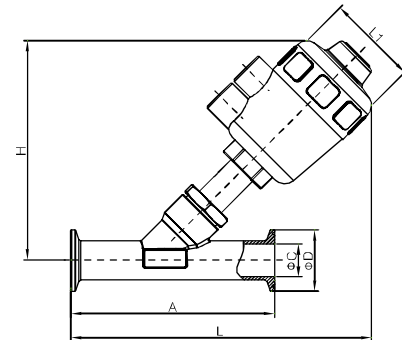


Clamp Angle Seat Valve
 Part no:ASV02

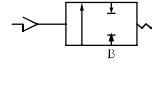
卡箍尺寸 (mm)	Kv 值 (m ³ /h)	最大工作压力 (bar)	要求最小控制压力 (bar)	流向	控制功能
50.5	8	0-16	2.7	阀座上方	
50.5	19	0-16	2.0		
50.5	27.5	0-16	2.0		
50.5	42	0-16	2.0		
50.5	52	0-16	2.0		
64	77	0-14	1.6		

Size	A	C	D	II	L	L1	
DN15	3/4"	120	15	50.5	137	180	64
DN20		140	19	50.5	145	185	64
DN25	1"	160	25	50.5	173	210	80
DN32	1 1/4"	176	31	50.5	210	240	80
DN40	1 1/2"	190	37	50.5	260	250	80
DN50	2"	210	49	64	301	330	100

快装式气动角座阀

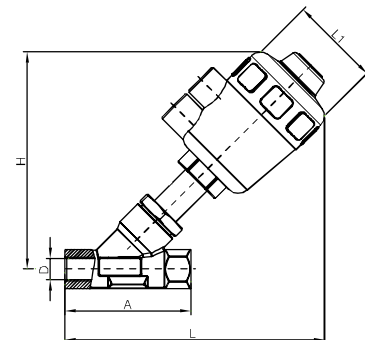


Female Angle Seat Valve
 Part no:ASV03

内螺纹尺寸 (英寸)	Kv 值 (m ³ /h)	最大工作压力 (bar)	要求最小控制压力 (bar)	流向	控制功能
G 3/8"	3.7	0-16	4.0	阀座上方	
G 1/2"	4.2		2.7		
G 3/4"	8.0		2.7		
G 1"	19.0		2.0		
G 1 1/4"	27.5		2.0		
G 1 1/2"	42		2.0		
G 2"	52		2.0		
G 2 1/2"	77		1.6		

Size	A	D	H	L	L1
DN10	65	G 3/8"	122	145	64
DN15	85	G 1/2"	137	173	64
DN20	95	G 3/4"	145	178	64
DN25	105	G 1"	173	212	80
DN32	120	G 1 1/4"	210	255	100
DN40	130	G 1 1/2"	260	301	126
DN50	150	G 2"	301	346	158
DN65	185	G 2 1/2"	315	372	158
DN80	220	G 3"	335	400	158

内螺纹气动角座阀





应用Application

止回阀是一种阻止流体回流的阀门，保证流向唯一性。它可用于保护流体回吸的损失，防止管道液击。广泛应用到食品，饮料，酿酒，炼油，化妆品，制药等行业

Check valve is used to prevent fluid from flowing back and ensures to flow in only one direction. Suitable for low and medium viscosity fluids.

操作原理 operating principle

当流体的压力大于弹簧的抽吸压力时，阀门打开。当两种压力相当时，阀门关闭。更强大的压差也可以使阀门关闭。

The valve opens when pressure of fluid exceeds to the pressure of spring.

The valve closes when the pressures are equal.

材质Materials

All parts wetted with fluids are made of Ss304 or SS316L

Seal: EPDM or VITON

技术规范Technical data

最大压力 Max pressure: 10bar

开启压力 Opening pressure: 0.3bar (DN25)

0.2bar (DN32-DN40)

0.1bar (DN50-DN100)

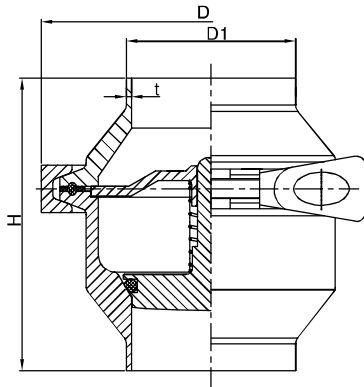
工作温度 Working Temp: -10°C to +120°C (EPDM)

连接方式: 焊接, 卡箍, 螺纹

Connection end: Butt-weld, Tri-clamp, Threaded

Norms: 3A, DIN, SMS, RJT, ISO

DIN Welded Check Valve Part no:CKV01

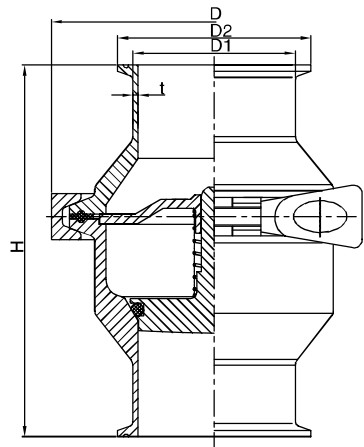


Size	H	D	D1	t
DN15	70	76.5	18	1.5
DN20	70	76.5	22	1.5
DN25	70	76.5	28	1.5
DN32	70	87	34	1.5
DN40	70	87	40	1.5
DN50	80	100	52	1.5
DN65	90	115	70	2.0
DN80	100	128	85	2.0
DN100	100	164	104	2.0

INCH Welded Check Valve Part no:CKV02

Size	H	D	D1	t
1/2"	70	76.5	12.7	1.65
3/4"	70	76.5	19.05	1.65
1"	70	76.5	25.4	1.65
1 1/4"	70	87	31.7	1.65
1.5"	70	87	38.1	1.65
2"	90	100	50.8	1.65
2.5"	98	115	63.5	1.65
3"	106	128	76.2	1.65
4"	110	164	101.6	2.1

DIN Clamped Check Valve Part no:CKV03



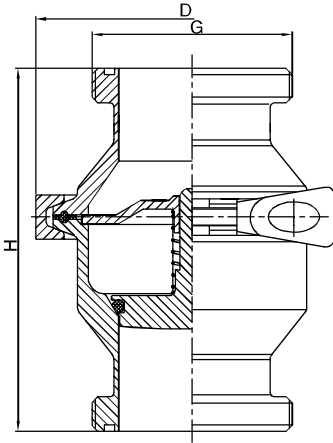
Size	H	D	D2	Dn
DN15	70	76.5	34	15
DN20	70	76.5	34	19
DN25	70	76.5	50.5	25
DN32	70	87	50.5	31
DN40	70	87	50.5	37
DN50	90	100	64	49
DN65	98	115	91	66
DN80	106	128	106	81
DN100	110	164	119	100

Inch Clamped Check Valve Part no:CKV04

Size	H	D	D2	Dn
1/2"	81	76.5	25.4	9.4
3/4"	81	76.5	25.4	15.8
1"	95.5	76.5	50.5	22.1
1 1/4"	95.5	87	50.5	28.4
1.5"	95.5	87	50.5	34.8
2"	115.5	100	64	47.5
2.5"	123.5	115	77.5	60.2
3"	131.5	128	91	72.9
4"	141.5	164	119	97.4

止回阀.CHECK VALVE

DIN螺纹式止回阀/DIN Threaded Check Valve
 Part no:CKV05

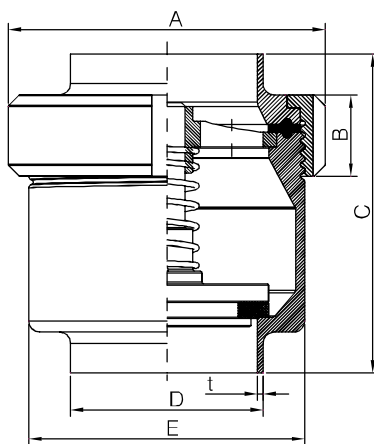


Size	H	D	G
DN25	114	76.5	RD52x1/6
DN40	114	87	RD65x1/6
DN50	135	100	RD78x1/6
DN65	148	115	RD95x1/6
DN80	155	128	RD130x1/4
DN100	170	164	RD130x1/4

SMS螺纹式止回阀/SMS Threaded Check Valve
 Part no:CKV06

Size	H	D	G
25	110	76.5	RD40x1/6
38	116	87	RD60x1/6
51	136	100	RD70x1/6
63	152	115	RD85x1/6
76	160	128	RD98x1/6
102	170	164	RD132x1/4

SMS Welded Union Type Check Valve
 Part no:CKV07



Size	A	B	C	D	E	t
25	64	20	68	25.4	53.6	1.5
32	64	20	68	31.8	53.6	1.5
38	71	21	76	38.1	60.6	1.5
51	86	22	86	50.8	74.6	1.5
63	100	24	102	63.5	87.6	2.0
76	112	26	110	76.2	97.5	2.0
89	123	26	120	88.9	109.5	2.0
102	143.5	31	135	101.6	129.5	2.0

DIN Welded Union Type Check Valve
 Part no:CKV08

Size	A	B	C	E	DIN11850-1	DIN11850-2
					DXt	DXt
DN25	64	20	68	53.5	28x1.5	29x1.5
DN32	64	20	68	53.5	34x1.5	35x1.5
DN40	71	21	76	60.5	40x1.5	41x1.5
DN50	86	22	86	74.6	52x1.5	53x1.5
DN65	108	25	102	94.6	70x2	70x2
DN80	123	26	120	109.5	85x2	85x2
DN100	145.3	31	135	129.5	104x2	104x2

止回阀.CHECK VALVE

Y Ball Check Valve

Working Principle

When liquid flows through the valve, the ball is forced into the branch of the valve allowing full fluid flow. When the liquid stops, equalizing the pressure, the ball drops back into the seat, preventing back flow. Should reverse flow occur, the differential pressure will cause the ball to seal firmly against the seat preventing leakage.

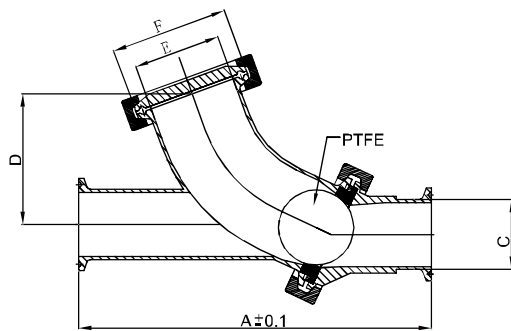
Design Features

- Two piece construction for easier alignment during installation
- ID and OD polished to 3A standards
- All metal contact surfaces of 316L stainless steel construction
- PTFE ball
- Field serviceable without special tools

Technical Data

Max. Temperature: -10 degree C - 120 degree C

Max. Pressure: 10 Bar



Part no:CKV09

SIZE	A		C		D		E		F	
	in	mm	in	mm	in	mm	in	mm	in	mm
1 1/2"	7.50	190.5	1.50	38.1	3.30	83.82	1.87	47.5	2.52	64
2"	8.50	215.9	2.00	50.8	3.90	99.06	2.33	59.3	3.05	77.5
2 1/2"	10.00	254	2.50	63.5	4.50	114.3	2.87	72.9	3.58	91
3"	11.50	292.1	3.00	76.2	5.30	134.62	3.83	97.4	4.69	119

隔膜阀.DIAPHRAGM VALVE

应用Application

隔膜阀，手动或气动操作，专门应用于制药工业中的卫生和无菌过程。

Diaphragm valves, manually or pneumatically operated, are specifically designed for Ultra aseptic pharmaceutical industry

操作原理 Operating principle

膜片提供阀体密封和阀座密封。里面没有路径通到外部环境，所以该阀门适用于无菌过程。

当阀门关闭时，支撑膜片的压力垫朝向阀体上的密封面移动。当压力板移动时，膜片弯曲，被迫推向阀体中心的阀座区域，因此关闭了通向阀体的流体路径。

阀体和压力板的相互关系，防止了膜片的挤压。

该阀门可以手动也可以气动操作，也可以通过控制器和电磁阀控制。



The diaphragm provides the body seal as well as the seat seal. There are no paths to the outside environment and as such the valve is suitable for aseptic processes.

As the valve is closed a pressure pad which supports the diaphragm moves towards the sealing face on the body. As the pressure plate moves the diaphragm flexes and is forced down onto the seat area in the centre of the body thus closing off the flow path through the body.

The inter-relationship of body to the pressure plate prevents over compression of the diaphragm.

The valve can be actuated either manually or pneumatically and controlled by control tops and solenoid valves.



DN6-DN10

技术规格 Technical specification

最大压力 10bar (145 PSI)

Max. pressure: 10 BAR(145PSI)

最大工作温度 -10℃ +120℃ (EPDM) -11 ° F
 +248 ° F (+140 ° C (SIP, 30) 284 ° F)

Working temperature: -10°C to +120°C
 (EPDM) -14 ° F to 248 ° F
 (+140 ° C (SIP, max. 30 min) 284 ° F)



PTFE+EPDM double seal



EPDM diaphragm

隔膜阀.DIAPHRAGM VALVE

设计和特点 Design and features

该隔膜阀同其他阀门设计相比，该阀门有着优越的流量特点。更容易清洁，很好的处理带颗粒的物料，在流量控制的应用上，气穴现象也更少些。

迷你型隔膜阀规格：1/4"， 3/8"， 1/2" ,3/4"

隔膜阀规格：1" — 4"

适用于CIP/SIP

和物料接触部分 AISI 316L

其他不锈钢部分 AISI 304

内表面处理 亮光Ra ≤ 0.5 μm

外表面处理 亚光/亮光

The diaphragm valves are better in feature of flow in comparison substance with particles. The phenomenon of air pocket is rare with other valves. It is easier to clean up and better to process the during application of flow control.

Mini diaphragm valve available size: 1/4", 3/8", 1/2", 3/4"

Diaphragm valve available size: 1" — 4"

Suitable for CIP/SIP.

Parts in contact with the product: AISI 316L,

Other stainless steel parts: AISI 304,

Internal surface finish bright, Ra ≤ 0.5 μm

External surface finish satin/bright

选项 Options

连接(标准)：卡箍、焊接、螺纹，DIN SMS IDF ISO 3A BPE

阀体结构：直通、三通、U型

膜片材料：EPDM, SILICON(硅胶)

EPDM+PTFE(双层膜片)符合FDA 177.2600

Connections(standard): clamp, weld, thread, DIN SMS IDF ISO 3A BPE

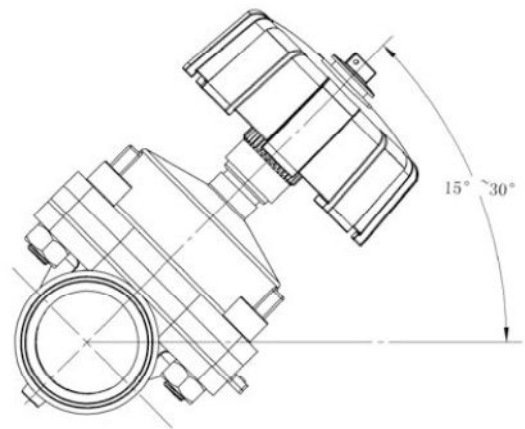
Body construction: Straight, Three ways, U type

Diaphragms in EPDM, SILICON, EPDM+PTFE, all of them according to FDA 177.2600

隔膜阀最优安装角度示意图 Optimal Installation Angle Diagram

无菌隔膜阀根据其结构特点：推荐15-30角度安装（根据不同的规格而定），有利于阀门清洗后完全排泄，不易造成液体滞留阀门内部。

According to the structure feature, fifteen thirty degree is optimal, which makes for complete drain after cleaning and keep no residue.

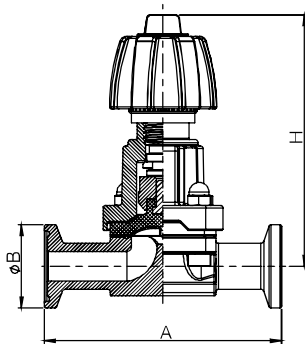


Pneumatic diaphragm valve

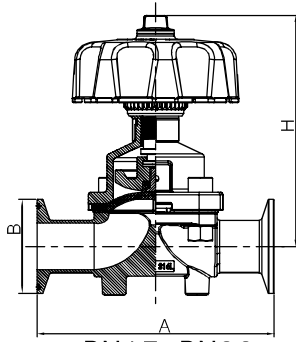


Pneumatic tank bottom diaphragm valve

隔膜阀.DIAPHRAGM VALVE



DN6-DN10

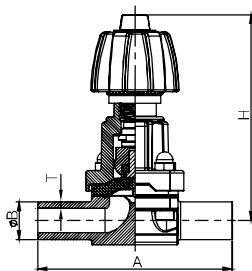


DN15-DN80

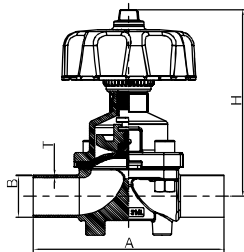
卡箍手动隔膜阀Clamped Diaphragm Valve
 Part no:DIV01

Size	A	B	H
DN8	72	34	74.5/79.5
DN10	72	34	74.5/79.5
DN15	108	34	90.5/99.5
DN20	118	34	111.5/122
DN25	127	50.5	111.5/122
DN32	146	50.5	131/148.5
DN40	160	50.5	131/148.5
DN50	190	64	161/190
DN65	216	91	199/228
DN80	254	106	220/249
3/8"	72	25.4	74.5/79.5
1/2"	108	25.4	90.5/99.5
3/4"	118	25.4	111.5/122
1"	127	50.5	111.5/122
1 1/4"	146	50.5	131/148.5
1 1/2"	160	50.5	131/148.5
2"	190	64	161/190
2 1/2"	216	91	199/228
3"	254	106	220/249

焊接手动隔膜阀Butt welded Diaphragm Valve
 Part no:DIV02



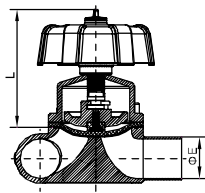
DN6-DN10



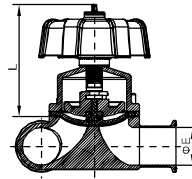
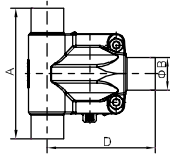
DN15-DN80

Size	A	B	H	T
DN8	72	8	74.5/79.5	1
DN10	72	12	74.5/79.5	1.5
DN15	108	18	90.5/99.5	1.5
DN20	118	22	111.5/122	1.5
DN25	127	28	111.5/122	1.5
DN32	146	34	131/148.5	1.5
DN40	160	40	131/148.5	1.5
DN50	190	52	161/190	1.5
DN65	216	70	199/228	2
3/8"	72	9.5	74.5/79.5	0.9
1/2"	108	12.7	90.5/99.5	1.65
3/4"	118	19.05	111.5/122	1.65
1"	127	25.4	111.5/122	1.65
1 1/4"	146	31.8	131/148.5	1.65
1 1/2"	160	38.1	131/148.5	1.65
2"	190	50.8	161/190	1.65
2 1/2"	216	63.5	199/228	1.65

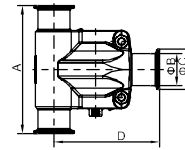
隔膜阀.DIAPHRAGM VALVE



焊接式
Welded Type

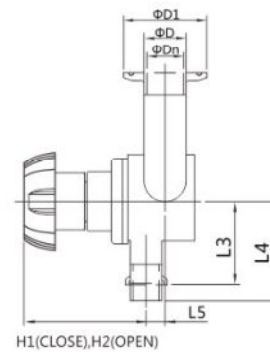
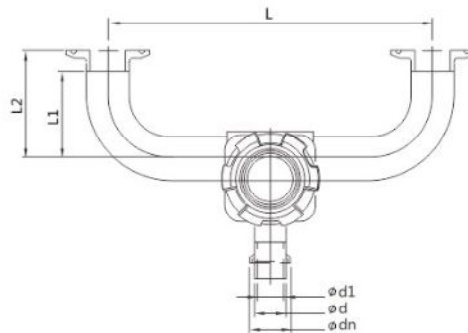


快装式
Clamp Type



三通隔膜阀 Three-way T Type Diaphragm Valve Part no: DIV03

Size	A	B	C	D	E	L
DN20	118	22	34	81	19	93/103.5
DN25	127	28	50.5	101.5	25	93/103.5
DN32	146	34	50.5	123	31	107/124.5
DN40	160	40	50.5	132	37	107/124.5
DN50	190	52	64	157	49	129/151.5
3/4"	118	19.05	25.4	81	15.75	93/103.5
1"	127	25.4	50.5	101.5	22.1	93/103.5
1 1/4"	146	31.8	50.5	123	28.5	107/124.5
1 1/2"	160	38.1	50.5	132	34.8	107/124.5
2"	190	50.8	64	157	47.5	129/151.5

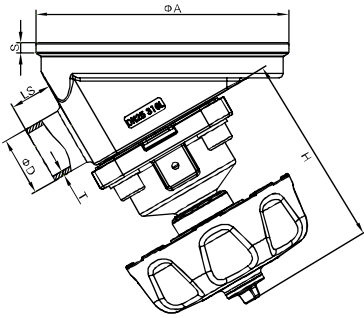


U型三通隔膜阀 Three-way U Type Diaphragm Valve Part no: DIV04

SIZE	ØDn	ØD	øD1	ødn	ød	ød1	L	L1	L2	L3	L4	L5	H1	H2
1/2"X1"	22.1	25.4	50.5	9.4	13	25	197	52.4	65.1	64.4	78	11.6	74	83
1/2"X1.5"	34.8	38.1	25.2	9.4	13	25	114	74.6	87.3	70.7	85	15.8	74	83
1/2"X2"	47.5	50.8	64	9.4	13	25	298	103	116	77.1	91	18.4	74	83
3/4"X1"	22.1	25.4	25.2	16	19	25	197	52.4	65.1	64.4	78	11.6	74	83
3/4"X1.5"	34.8	38.1	25.2	16	19	25	214	74.6	87.3	70.7	85	15.8	74	113
3/4"X2"	47.5	50.8	64	16	19	25	298	103	116	77.1	91	18.4	74	83

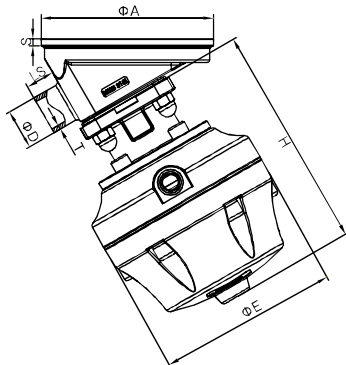
隔膜阀.DIAPHRAGM VALVE

手动罐底隔膜阀Manual Tank Bottom Diaphragm Valve
 Part no:DIV05



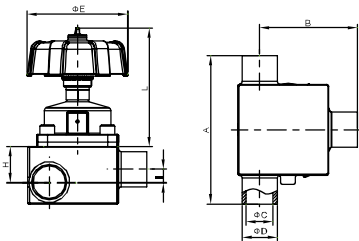
Size	A	S	Ls	H	D	T
DN20	90	6	16	93.5/103.5	22	1.5
DN25	120	6	20	93.5/103.5	28	1.5
DN32	160	6	20	107/124.5	34	1.5
DN40	160	6	20	107/124.5	40	1.5
DN50	200	6	30	129/151.5	52	1.5
3/4"	90	6	16	76.5/83.5	19.05	1.5
1"	120	6	20	93.5/103.5	25.4	1.5
1 1/4"	160	6	20	107/124.5	31	1.5
1 1/2"	160	6	20	107/124.5	38.1	1.5
2"	200	6	30	129/151.5	50.5	1.5

气动罐底隔膜阀Pneumatic Tank Bottom Diaphragm Valve
 Part no:DIV06



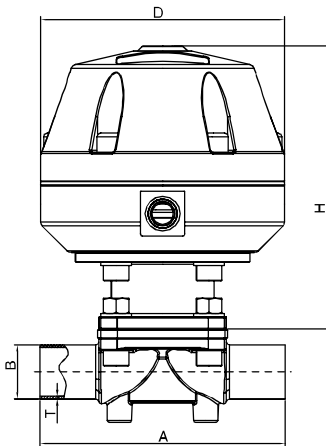
Size	A	S	Ls	H	E	D	T
DN20	90	6	16	125	90	22	1.5
DN25	120	6	20	160	126	28	1.5
DN32	160	6	20	190	150	34	1.5
DN40	160	6	20	190	150	40	1.5
DN50	200	6	30	190	150	52	1.5
3/4"	90	6	16	125	90	19.05	1.5
1"	120	6	20	160	126	25.4	1.5
1 1/4"	160	6	20	190	150	31	1.5
1 1/2"	160	6	20	190	150	38.1	1.5
2"	200	6	30	190	150	50.5	1.5

锻造T形三通隔膜阀/Forged T Type Zero dead Leg Diaphragm Valve
 Part no:DIV07



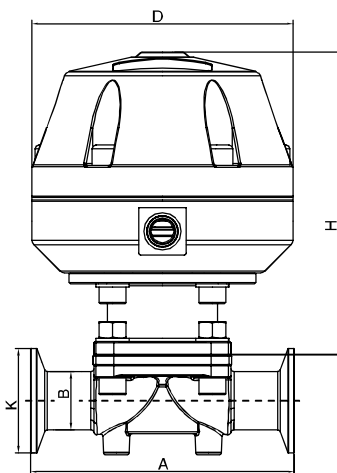
Size	A	B	C	D	E	L	H
DN15	108	66	15	18	65	76.5/85.5	25
DN20	118	75	19	22	65	76.5/85.5	25
DN25	127	82	25	28	89	93.5/103.5	28
DN32	146	98.5	31	34	109	107/124.5	36
DN40	160	105.5	37	40	109	107/124.5	39
DN50	190	123	49	52	139	129/151.5	46.5
DN65	216	129.5	67	79	200	140/168	55
3/4"	108	66	15.75	19.05	65	76.5/85.5	25
1"	127	82	22.1	25.4	65	76.5/85.5	25
1 1/4"	146	98.5	28.5	31.8	89	93.5/103.5	28
1 1/2"	160	105.5	34.8	38.1	109	107/124.5	36
2"	190	123	47.5	50.8	109	107/124.5	39
2 1/2"	216	129.5	60.2	63.5	139	129/151.5	46.5

气动焊接隔膜阀
Pneumatic Direct 2 way Welded Diaphragm Valve
Part no:DIV08



DTN	Size			A	D	H
	3A	SMS	ISO			
DN20 B×T 22×1.5	3/4" B×T 19.1×1.65	19 B×T 19.1×1.5	Φ19 B×T 19.1×1.5	108.0	126.0	146.2
DN25 B×T 28×1.5	1" B×T 25.4×1.65	25 B×T 25.4×1.5	Φ25 B×T 25.4×1.5	118.0	126.0	146.2
DN32 B×T 34×1.5	1 1/4" B×T 31.8×1.65	32 B×T 31.8×1.5	Φ32 B×T 31.8×1.5	127.0	126.0	146.2
DN40 B×T 40×1.5	1 1/2" B×T 38.1×1.65	38 B×T 38.1×1.5	Φ38 B×T 38.1×1.5	146.0	126.0	146.2
DN50 B×T 52×1.5	2" B×T 50.8×1.65	51 B×T 50.8×1.5	Φ51 B×T 50.8×1.5	190.0	126.0	146.2
DN65 B×T 70×2	2 1/2" B×T 63.5×1.65	63 B×T 63.5×2	Φ63 B×T 63.5×2	216.0	126.0	146.2

气动卡箍隔膜阀
Pneumatic Direct 2 way Clamped Diaphragm Valve
Part no:DIV09



DTN	Size			A	D	H
	3A	SMS	ISO			
DN20 B 22 K 50.5	3/4" B 19.1 K 25.4	19 B 19.1 K 25.4	Φ19 B 19.1 K 25.4	108.0	126.0	146.2
DN25 B 28 K 50.5	1" B 25.4 K 50.5	25 B 25.4 K 50.5	Φ25 B 25.4 K 50.5	118.0	126.0	146.2
DN32 B 34 K 50.5	1 1/4" B 31.8 K 50.5	32 B 31.8 K 50.5	Φ32 B 31.8 K 50.5	127.0	126.0	146.2
DN40 B 40 K 50.5	1 1/2" B 38.1 K 50.5	38 B 38.1 K 50.5	Φ38 B 38.1 K 50.5	146.0	126.0	146.2
DN50 B 52 K 64.0	2" B 50.8 K 64.0	51 B 50.8 K 64.0	Φ51 B 50.8 K 64.0	190.0	126.0	146.2
DN65 B 70 K 91.0	2 1/2" B 63.5 K 77.5	63 B 63.5 K 77.5	Φ63 B 63.5 K 77.5	216.0	126.0	146.2

恒压调节阀. CONSTANT PRESSURE VALVE

应用

Applications

该阀门可适用于食品加工，饮料，制药等行业

两种恒压设计：入口恒压--在阀门入口端保持恒压。该配置可应用在分离器，热交换器等后部，起到安全阀的作用

出口恒压--在阀门出口端保持恒压，该配置应用在罐装机，装瓶机等设备的前部

Inlet constant pressure:maintaining certain value at inlet, valve with such design is particularly installed at the back of separator heat exchanger, working as a safety valve

Outlet constant pressure:maintaining certain value at outlet, valve with such design is particularly installed at the front of filling machine, bottling machine;

工作原理

Working Principle

CPM-2恒压调节阀由控制压缩空气的压力大小来控制调节阀芯的位置，从而达到所需的压力及流量

CPM-2 constant pressure regulating valve controlled by the compressed air pressure regulating valve to control the size of the position, so as to achieve the required pressure and flow

标准设计

Standard Design

恒压阀阀体12个厚钢板锻压设计工艺，阀芯及所有零部件采用AISI316L或304制造，阀体内外喷砂抛光，膜片采用优质橡胶制成，最高温可达到140℃

Constant pressure valve body 12 mm thick steel forging design process, the spool and all parts manufactured by AISI316L or 304, sandblasting polishing inside and outside the body, the diaphragm is made of high quality rubber, the maximum temperature can reach 140 ° C

技术参数

Technical Specification

最大生产压力：1000KPa(10bar)

最小生产压力：0KPa(0bar)=大气

温度范围：-10℃to至+95℃

温度范围(上隔膜PTFE/EPDM)：-10℃to至+140℃(按要求更高)。

空气压力：0 to 600kpa (0 to 6bar)

流量范围Kv, 全开(p=1bar)：大约23m³/h.

流量范围Kv, 低能力(p=6bar)：大约2m³/h.

可选择的尺寸：调节区域大约152m³/h. (CIP区域)

Largest producer of pressure: 1000KPa (10bar)

Minimum production pressure: 0KPa (0bar) = atmospheric

Temperature range: -10 ° C to +95 ° C to

Temperature range (on the diaphragm PTFE / EPDM): -10 ° C to +140 ° C (higher on request).

Air pressure: 0 to 600kpa (0 to 6bar)

Flow range Kv, fully open (p = 1bar): about 23m³/h.

Flow range Kv, low capacity (p = 6bar): about 2m³/h.

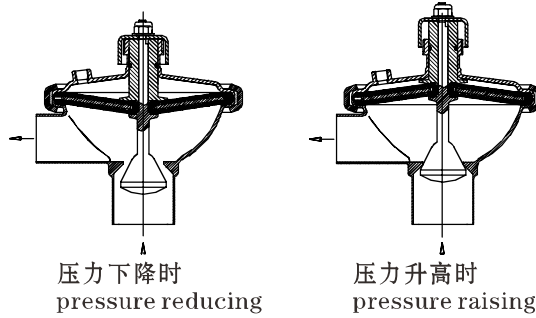
Optional sizes): regulation of regional about 152m³/h.



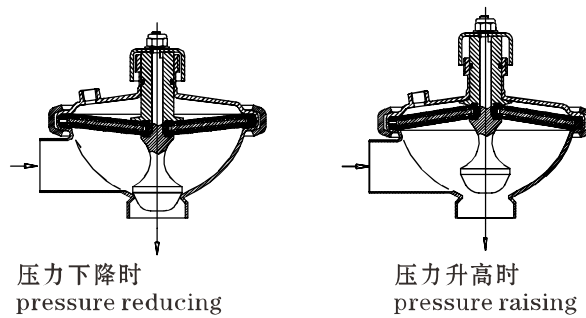
恒压调节阀. CONSTANT PRESSURE VALVE

工作示意图WORKING DIAPHRAGM

出口恒压Outlet pressure constant

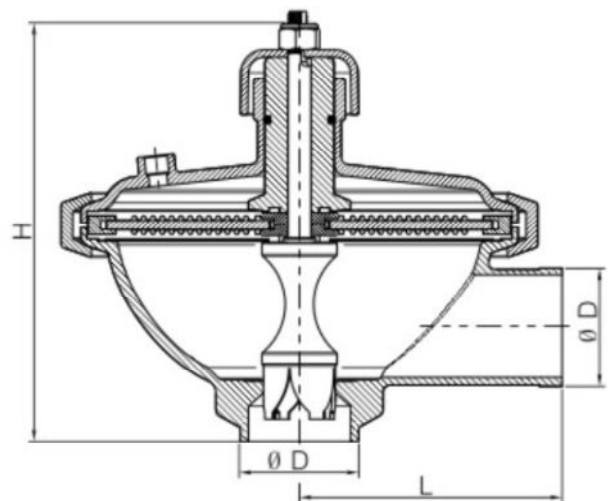


进口恒压Inlet pressure constant



Part no:CPV01

Size	H	L	OD*S
Ø25	210	180	25.4*1.5
Ø38	210	180	38.1*1.5
Ø51	210	180	50.8*1.5
Ø63	210	200	63.5*2



取样阀.SAMPLING VALVE

应用 Application

主要用于罐设备或管道里面物料样品的采集，也可安装在罐设备或管道的最低点用来排泄残留液。
 It is mainly used to take samples from tank, vessel or pipelines. Or it can be installed at the bottom of tank, pipeline to discharge remains

工作原理 Working Principle

取样阀：

手轮顺时针旋转阀杆连同密封圈 抬起，此时阀门被开启取样，手轮逆时针旋转阀杆连同密封圈下降此时阀门被关闭

酸奶取样阀：

阀座开到罐内部或其他的设备内 部，由此避免了因为管道过压造成阀门意外开启或泄漏等情况。

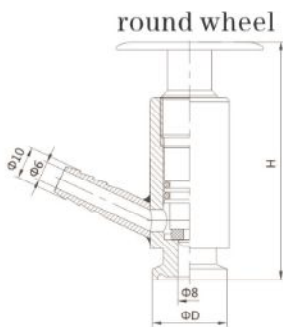
该阀门为常闭型(通过弹簧关闭)，用手一按手柄阀门开启，松开手柄阀门将自行关闭。完全排水(液体)设计，防止了物料滞留阀门内部。

技术参数： Technical Data

接口方式：螺纹，卡箍，焊接
 最大压力：10bar 145psi
 最小压力：真空
 适用温度：-10℃ 50° F至
 120℃ /248℃
 阀体材质：AISI 304 AISI 316L
 密封材质：PTFE
 Connections: thread, clamp, weld
 Max. pressure: 10bar 145psi
 Min. pressure: vacuum
 Temp: -10°C/50°F to 120°C/248°F

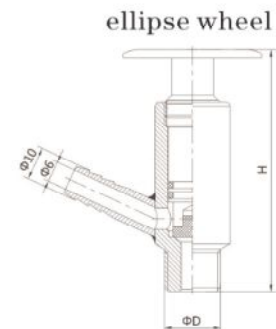
材质：Material

Valve Body: SS304 or SS316L Seat Seal: PTFE,Viton
 Valve Shaft: SS304 or SS316L O ring Seal: Silicon, EPDM, FPM



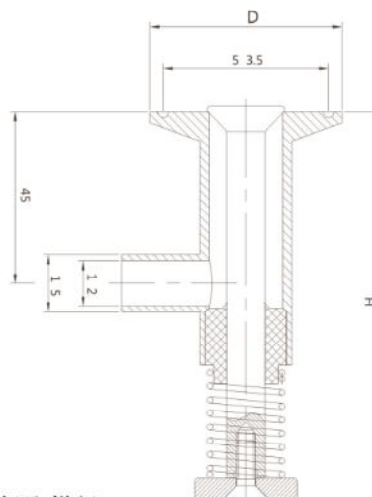
卡箍式取样阀
Clamped sample valve
Part no:SMV01

Size	D	H
1/2"-3/4"	25.4	89
1"-1.5"	50.5	89



螺纹式取样阀
Threaded sample valve
Part no:SMV02

Size	G	H
3/8"	BSP 3/8"	89
1/2"	BSP 1/2"	89
3/4"	BSP 3/4"	89



酸奶取样阀
Clamp Yogurt Sample Valve
Part no:SMV03



液位计.LEVEL GAUGE

应用

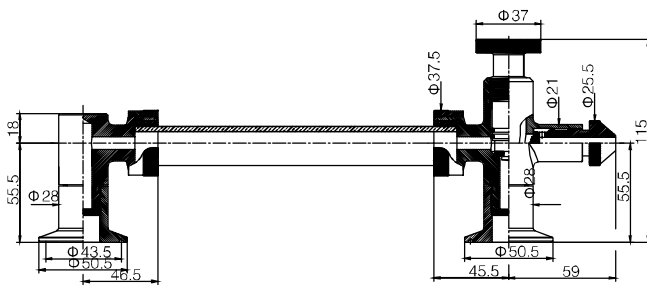
液位计是用在罐设备上，两个相同或不同的液位计安装在罐上，可观察罐内液体的位置情况或罐内容量，也可以直接用来取样
 规格：1/4".3/8",1/2".3/4"
 连接：卡箍，螺纹，焊接

Application

Level gauge is used to observe liquid level in the vessel. There is calibration on level gauge, for the using of reading
 Usually, one upper level gauge, one bottom level gauge and visible glass tube combine a set for using on tanks.
 The level gauges are suitable for OD19mm glass tube.
 Size: 1/4".3/8",1/2".3/4"
 Connection end: clamp, threaded, welded

TECHNICAL DATA

Max. Pressure: 10Bar
 Min. Pressure: Vacuum
 Working Temperature: -10°C to 120°C
 Body Material: AISI 304/ 316L
 Seal Material: Silicon per FDA 177.2600



Level Gauge(upper)
 Part no:LGV01

Tri-Clamp Level Gauge with Sampling function
 Part no:LGV02



无菌取样阀.ASPETIC SAMPLING VALVE

工作原理

该无菌取样阀为每次取样前后杀菌

阀门开启：取样-通过旋转手柄（可调整阀门）或通过拉动操作杆（开/关阀门）来开启手动操作的阀门。然后手柄和膜片收回，允许液体通过

关闭阀门：消毒-通过相反的步骤，内置弹簧关闭阀门，保持软管间的通道开启，用于消毒。如果使用蒸汽，建议在出口装一个小型的压力安全阀。

广泛应用在啤酒，牛奶，饮料，果汁，制药等行业

Aseptic Sampling Valve is designed for sterilization before and after each sampling

Valve open is sampling:By rotating the wheel or operating the handle level

Valve close is sterilization.If it is used for steam,a mini safety valve is recommended to install at the outlet.

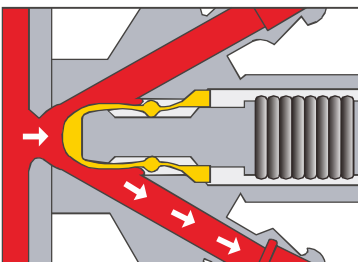


Temperature range of EPDM: 0 to 130° C / 32 to 266° F

Temperature range of PTFE: 0 to 150° C / 32 to 302° F

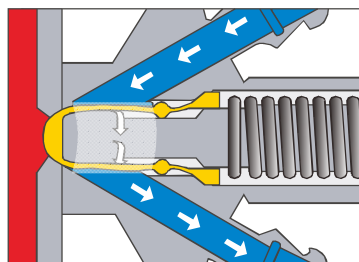
Max. working pressure: 6Bar(87psi)

工作原理Working principle



Opening valve, sampling operating structure

阀门开启：取样



Closing valve, sterilization operating structure

阀门关闭：消毒

无菌取样阀.ASPETIC SAMPLING VALVE

Valve Head Type



Turning Knob
旋转式手轮

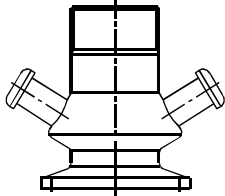
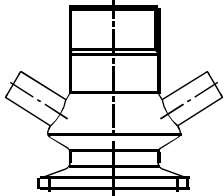
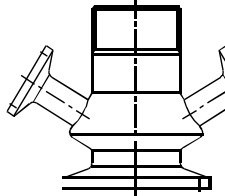
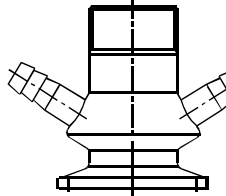
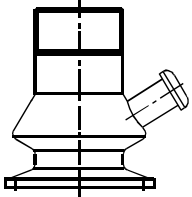
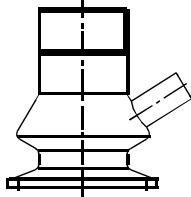
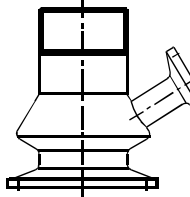
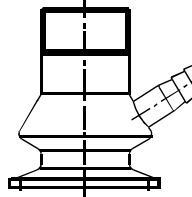
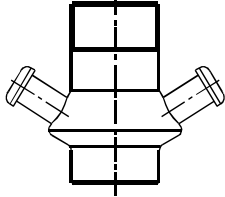
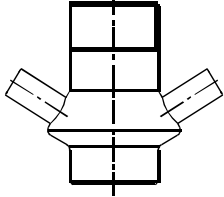
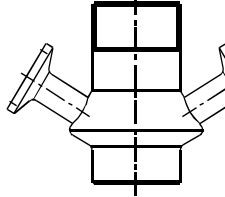
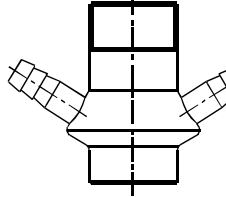
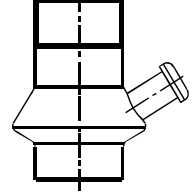
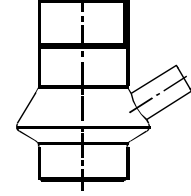
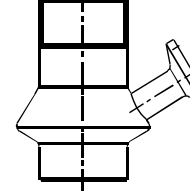
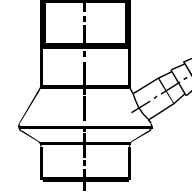


Level Handle
扳手式手柄



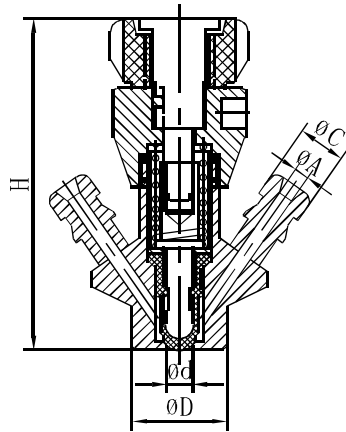
Pneumatic & Manual
手气一体

阀体构造类型 Valve Side Port Type

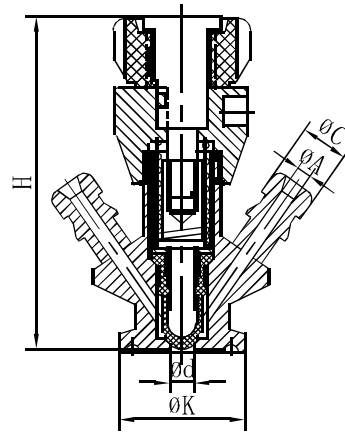
<p>A Hose Place</p> 	<p>B Welding End</p> 	<p>C Mini Tri-clamp</p> 	<p>D Hose Adaptor</p> 
<p>E Hose Place</p> 	<p>F Welding End</p> 	<p>G Mini Tri-clamp</p> 	<p>H Hose Adaptor</p> 
<p>I Hose Place</p> 	<p>J Welding End</p> 	<p>K Mini Tri-clamp</p> 	<p>L Hose Adaptor</p> 
<p>M Hose Place</p> 	<p>N Welding End</p> 	<p>O Mini Tri-clamp</p> 	<p>P Hose Adaptor</p> 

无菌取样阀.ASPETIC SAMPLING VALVE

焊接型无菌取样阀
Welded Aseptic Sampling Valve



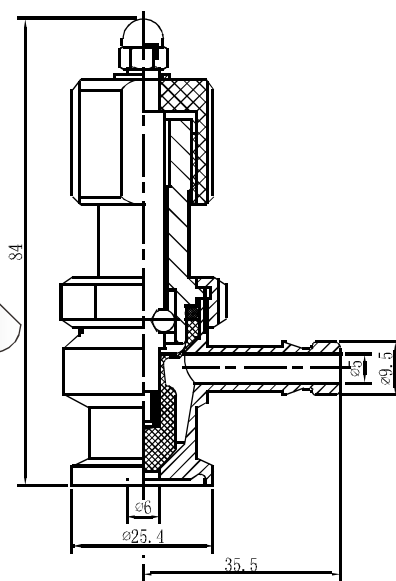
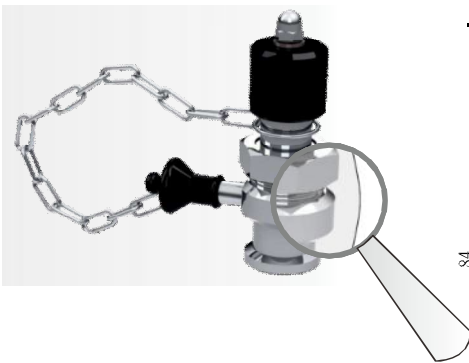
卡箍型无菌取样阀
Clamped Aseptic Sampling Valve



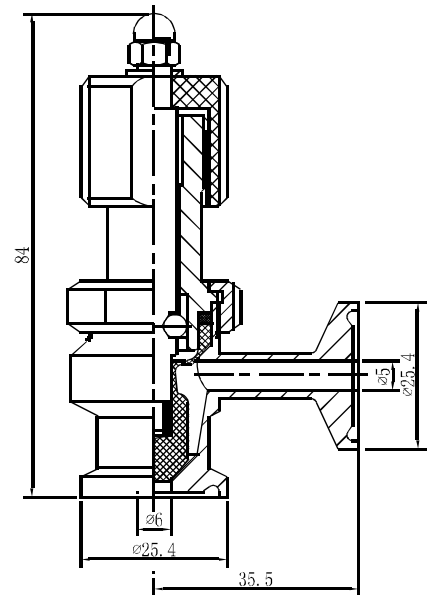
Part no:ASV01

SIZE	d	D	A	C	H	K
M4	4	25	3	9.5	68	25.4
W9	8	28	7.2	14	93	50.5

卡箍型无菌取样阀
Clamped Aseptic Sample Valve



Part no:ASV02

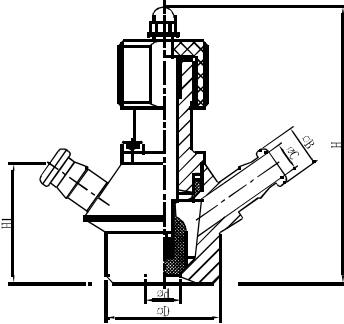


Part no:ASV03

无菌取样阀.ASPETIC SAMPLING VALVE

焊接型无菌取样阀

Welded Aseptic Sampling Valve

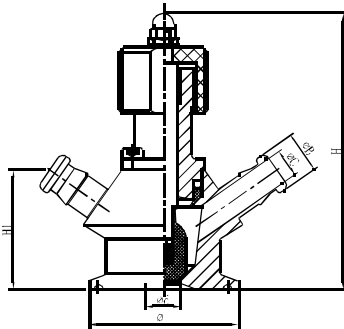


Part no:ASV04

SIZE	d	D	B	C	H1	H
DN6	6	28	9.5	5	37.5	85
DN8	8	28	9.5	5	44.5	85
DN10	9.5	28	14	9.5	44.5	85
DN15	12	38	14	9.5	41.5	93

卡箍型无菌取样阀

Clamped Aseptic Sampling Valve

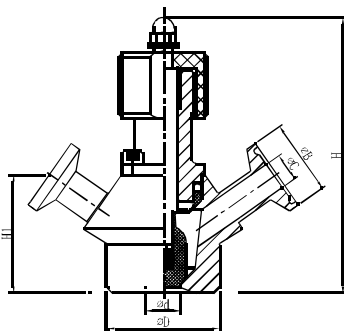


Part no:ASV05

SIZE	d	D	B	C	H1	H
DN6	6	25.4	9.5	5	37.5	85
DN8	8	25.4	9.5	5	44.5	85
DN10	9.5	25.4	14	9.5	44.5	85
DN15	12	50.5	14	9.5	41.5	93

焊接型无菌取样阀

Welded Aseptic Sampling Valve

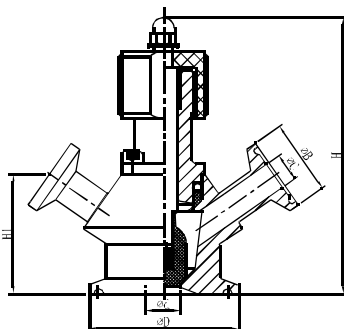


Part no:ASV06

SIZE	d	D	B	C	H1	H
DN6	6	28	25.4	5	37.5	85
DN8	8	28	25.4	5	44.5	85
DN10	9.5	28	25.4	9.5	44.5	85
DN15	12	38	25.4	9.5	41.5	93

卡箍型无菌取样阀

Clamped Aseptic Sampling Valve



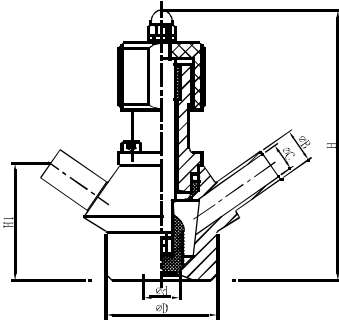
Part no:ASV07

SIZE	d	D	B	C	H1	H
DN6	6	25.4	25.4	5	37.5	85
DN8	8	25.4	25.4	5	44.5	85
DN10	9.5	25.4	25.4	9.5	44.5	85
DN15	12	50.5	25.4	9.5	41.5	93

无菌取样阀.ASPETIC SAMPLING VALVE

焊接型无菌取样阀

Welded Aseptic Sampling Valve

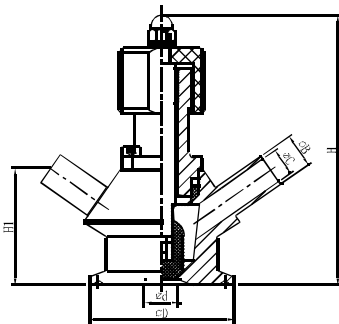


Part no:ASV08

SIZE	d	D	B	C	H1	H
DN6	6	28	8	5	37.5	85
DN8	8	28	8	5	44.5	85
DN10	9.5	28	12.7	9.5	44.5	85
DN15	12	38	12.7	9.5	41.5	93

卡箍型无菌取样阀

Clamped Aseptic Sampling Valve

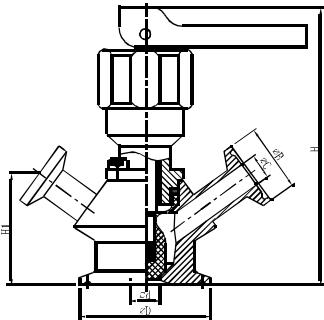


Part no:ASV09

SIZE	d	D	B	C	H1	H
DN6	6	25.4	8	5	37.5	85
DN8	8	25.4	8	5	44.5	85
DN10	9.5	25.4	12.7	9.5	44.5	85
DN15	12	50.5	12.7	9.5	41.5	93

手动快开型无菌取样阀

Manual Aseptic Sampling Valve with handle level

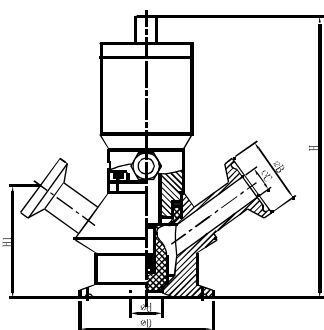


Part no:ASV10

SIZE	d	D	B	C	H1	H
DN6	6	25.4	25.4	5	37.5	87.5
DN8	8	25.4	25.4	5	44.5	89
DN10	9.5	25.4	25.4	9.5	44.5	89
DN15	12	50.5	25.4	9.5	41.5	105

气动无菌取样阀

Pneumatic Aseptic Sampling Valve



Part no:ASV11

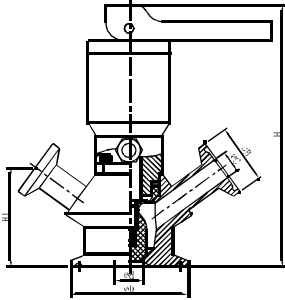
SIZE	d	D	B	C	H1	H
DN6	6	25.4	25.4	5	37.5	100
DN8	8	25.4	25.4	5	44.5	101
DN10	9.5	25.4	25.4	9.5	44.5	101
DN15	12	50.5	25.4	9.5	41.5	107

无菌取样阀.ASPETIC SAMPLING VALVE

手气一体型无菌取样阀

Pneumatic&Manual Aseptic Sampling Valve

Part no:ASV12

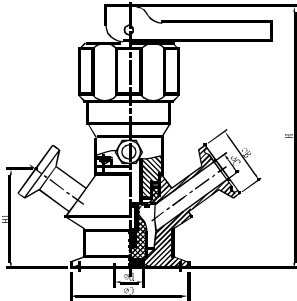


SIZE	d	D	B	C	H1	H
DN6	6	25.4	25.4	5	37.5	105
DN8	8	25.4	25.4	5	44.5	106
DN10	9.5	25.4	25.4	9.5	44.5	106
DN15	12	50.5	25.4	9.5	41.5	112

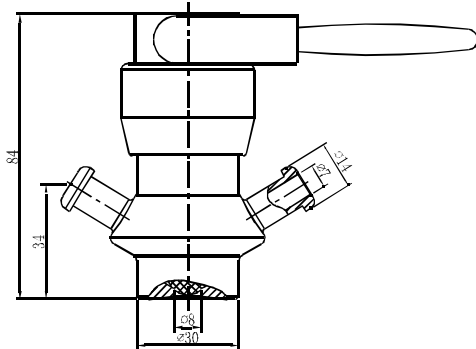
水冷型无菌取样阀

Aseptic Sampling Valve With cooling Device

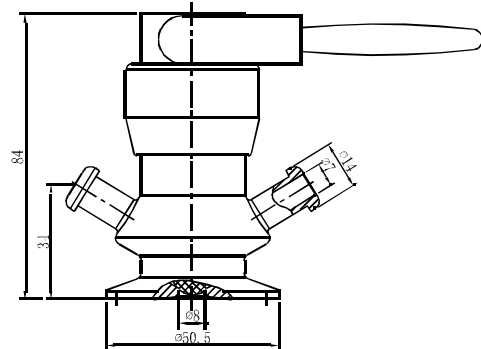
Part no:ASV13



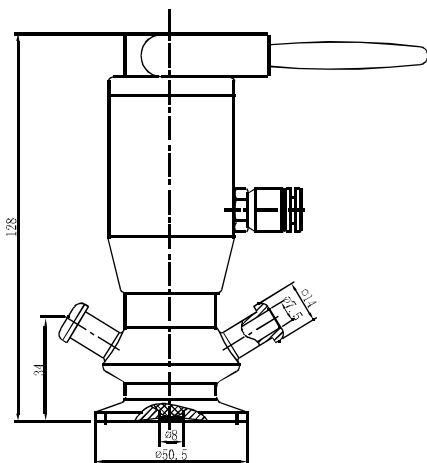
SIZE	d	D	B	C	H1	H
DN6	6	25.4	25.4	5	37.5	105
DN8	8	25.4	25.4	5	44.5	106
DN10	9.5	25.4	25.4	9.5	44.5	106
DN15	12	50.5	25.4	9.5	41.5	112



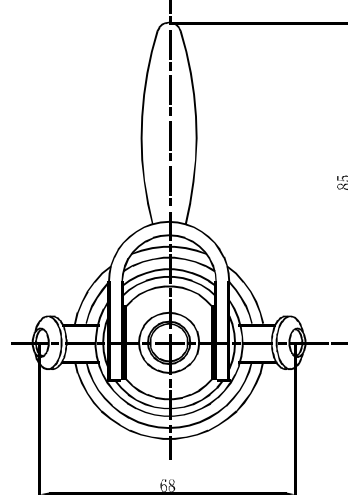
Weld type



Clamp type



Pneumatic & Manual





水封式排气阀
Water seal type exhaust valve



调节式排气阀
Adjustable air vent valve



卫生型安全阀
Sanitary pressure overflow valve



水封式排气阀
Water seal type exhaust valve



固定式呼吸阀
Fixed type rebreathing valve



浮球型排气阀
Float type exhaust valve



水封式排气阀
L type exhaust valve



调节式呼吸阀
Adjustable Rebreath Valve



刻度调节型安全阀
Adjustable safety valve

安全排气阀.SAFETY VALVE

应用

公司生产多种形式结构的安全阀、调压阀，广泛适用于食品、饮料、乳制品、啤酒等行业。

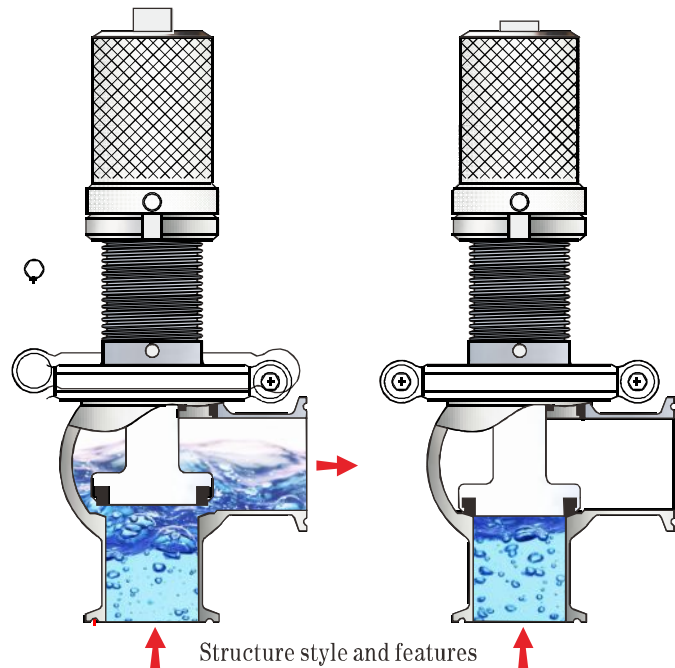
结构形成及其特点：

具有结构简单、造型美观、调压快捷、维护方便等一系列优点。

压力控制具有可调性，可在全范围内任意调节。

阀体材料选用不锈耐酸钢制成，表面光亮洁净，密封件采用特制食品橡胶制成，产品符合卫生规范。

安装时应注意流体输入流向，不得反向输入



Application

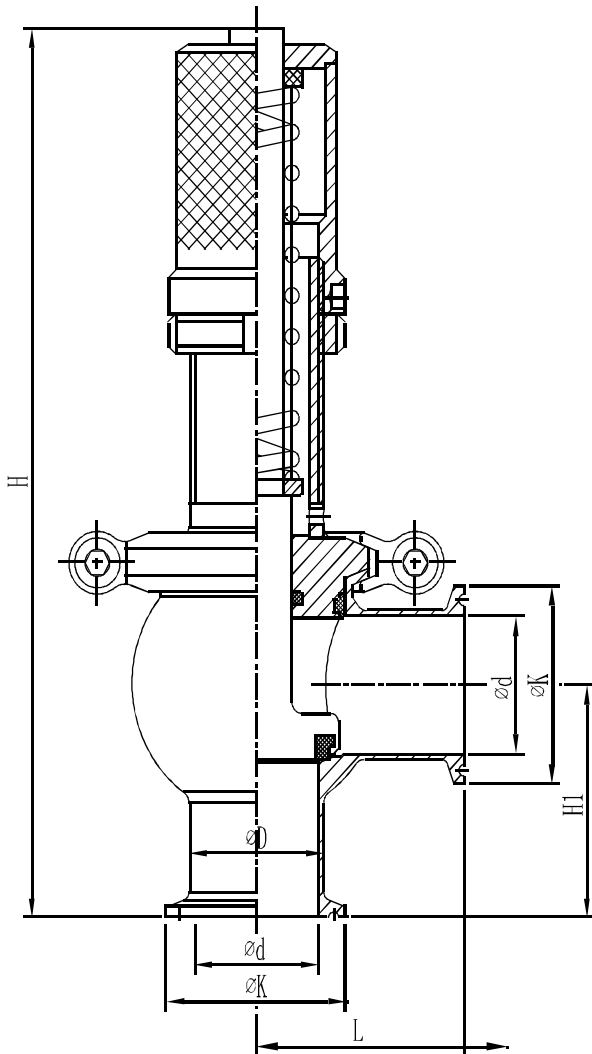
Safety valve is used to protect pipeline from over pressurization. When pressure exceeds to the certain setting pressure value, valve plug will lift up and release pressure through side port. The valve will remain open until the pipeline pressure reduces to under setting value.

技术参数

- ◆ 工作压力：≤8bar
- ◆ 控制压力范围：0.5~6bar/0.5~8bar
- ◆ 公称通径：DN25~DN100
- ◆ 密封材质：EPDM,硅胶
- ◆ 介质温度：-10℃~+120℃
- ◆ 工作介质：液体物料、气体

Technical Data

- ◆ Working Pressure: ≤8bar
- ◆ Pressure Range: 0.5~6bar/0.5~8bar (by changing the spring)
- ◆ Size : 1"/DN25~4"/DN100
- ◆ Seals: EPDM/Silicone
- ◆ Media Temp: -10℃~120℃
- ◆ Connection: welded, clamped, threaded, Metric, Inch

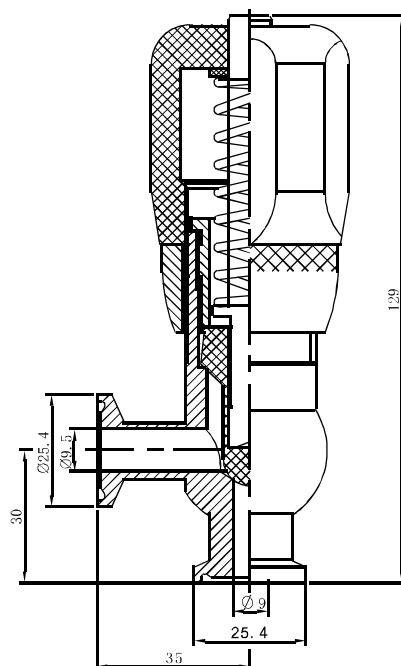


Clamped Safety Valve
Part no:SFV01

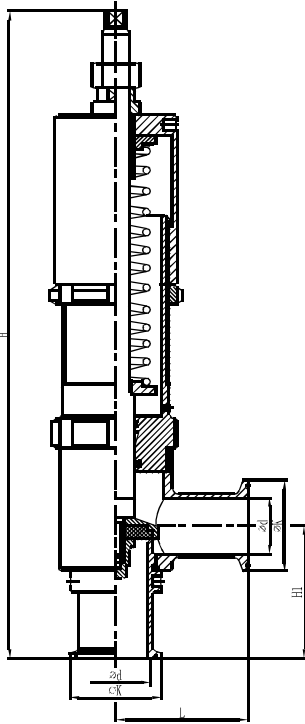
SIZE	D	d	K	L	H1	H
1"	25.4	22.4	50.5	61	61	227
1.25"	31.8	28.8	50.5	61	61	227
1.5"	38.1	35.1	50.5	59	58	227
2"	50.8	47.8	64	66	66	270
2.5"	63.5	59.5	77.5	77	77	318
3"	76.2	72.2	91	97	97	351
3.5"	88.9	84.9	106	107	97	362

DIN Clamped Safety Valve
Part no:SFV02

SIZE	D	d	K	L	H1	H
DN25	28	25	50.5	61	61	227
DN32	34	31	50.5	61	61	227
DN40	40	37	50.5	59	58	227
DN50	52	49	64	66	66	270
DN65	70	66	91	97	97	351
DN80	85	81	106	107	97	362



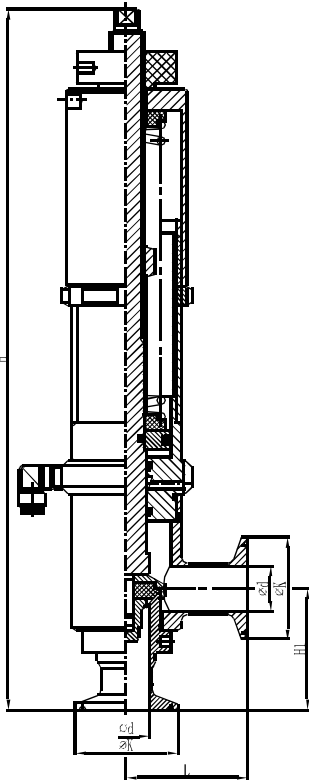
Mini Safety Valve



卫生级卡箍安全阀
Sanitary Manual Safety Valve with clamp end
Part no:SFV03

SIZE	d	K	L	H1	H
1"	22.4	50.5	68	68	354
1.25"	28.8	50.5	68	72	354
1.5"	35.1	50.5	74	76	356
2"	47.8	64	79	83	374

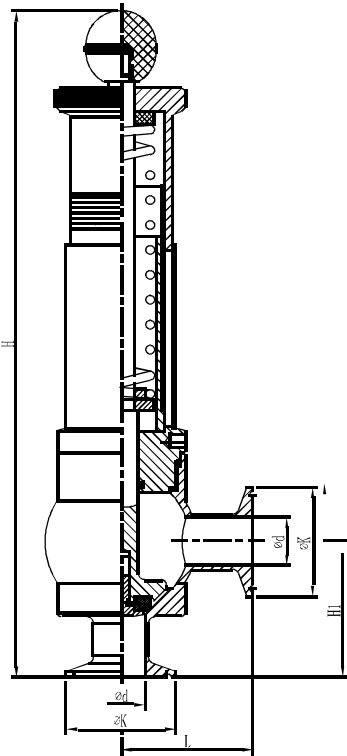
SIZE	d	K	L	H1	H
DN25	25	50.5	68	69.3	354
DN32	31	50.5	68	73	354
DN40	37	50.5	74	77	356
DN50	49	64	79	83.6	374



手、自、气一体安全阀
Pneumatic, Manual Safety Valve
Part no:SFV04

SIZE	d	K	L	H1	H
1"	22.4	50.5	68	68	354
1.25"	28.8	50.5	68	72	354
1.5"	35.1	50.5	74	76	356
2"	47.8	64	79	83	374

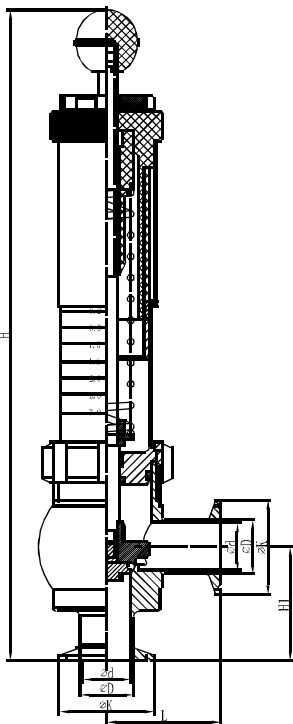
SIZE	d	K	L	H1	H
DN25	25	50.5	68	69.3	354
DN32	31	50.5	68	73	354
DN40	37	50.5	74	77	356
DN50	49	64	79	83.6	374



刻度调节型安全阀
Adjustable Pressure Overflow Valve
Part no:SFV05

SIZE	d	K	L	H1	H
1"	22.4	50.5	61	61	308
1.25"	28.8	50.5	61	61	308
1.5"	35.1	50.5	61	61	308
2"	47.8	64	79	83	318

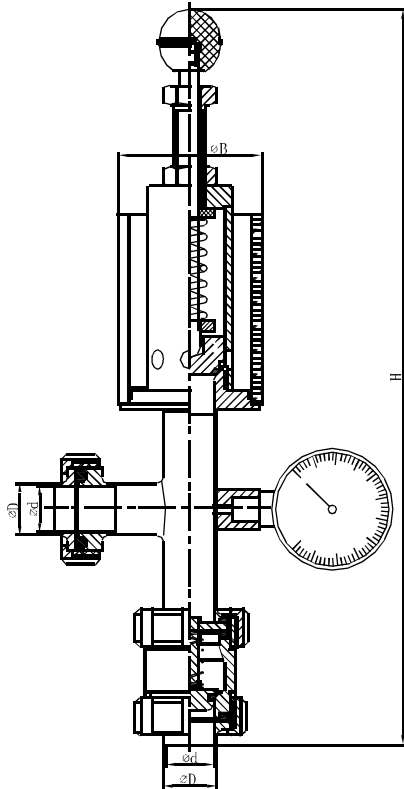
SIZE	d	K	L	H1	H
DN25	25	50.5	61	61	308
DN32	31	50.5	61	61	308
DN40	37	50.5	61	61	308
DN50	49	64	66	66	318



刻度调节型安全阀
Adjustable Pressure Relief Valve
Part no:SFV06

SIZE	D	d	K	L	H1	H
1"	25.4	22.4	50.5	61	61	348
1.25"	31.8	28.8	50.5	61	61	348
1.5"	38.1	35.1	50.5	61	61	348

SIZE	D	d	K	L	H1	H
DN25	28	25	50.5	61	61	348
DN32	34	31	50.5	61	61	348
DN40	40	37	50.5	61	61	348



水封式排气阀

Sanitary Union Exhaust Air Release Valve With Glass
with gauge Part no:SFV07

SIZE	d	D	B	H
1"	22.4	25.4	75	388
1.25"	28.8	31.8	75	390

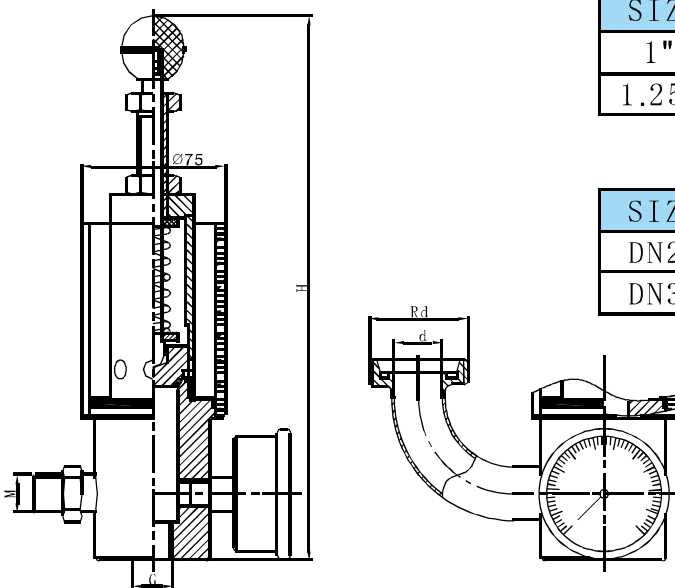
SIZE	d	D	B	H
DN25	25	28	75	388
DN32	31	34	75	390

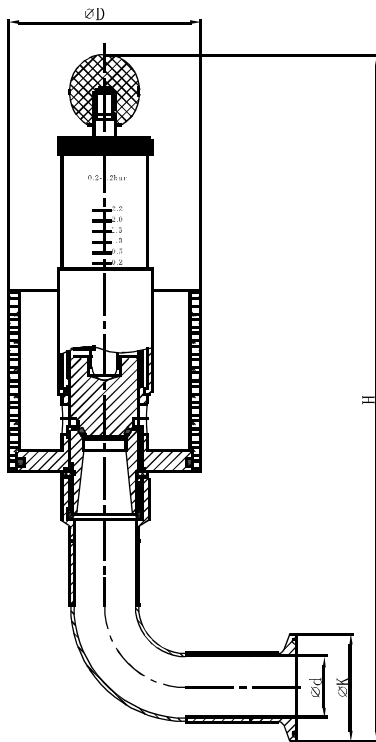
安全排气阀（带可视玻璃和压力表）

Exhaust Valve with Visible glass, gauge
Part no:SFV08

SIZE	d	Rd	M	G	H
1"	22.4	40×1/6"	20×1.5	G1/2"	285
1.25"	28.8	48×1/6"	20×1.5	G1/2"	285

SIZE	d	Rd	M	G	H
DN25	25	52×1/6"	20×1.5	1/2"	285
DN32	31	58×1/6"	20×1.5	1/2"	285



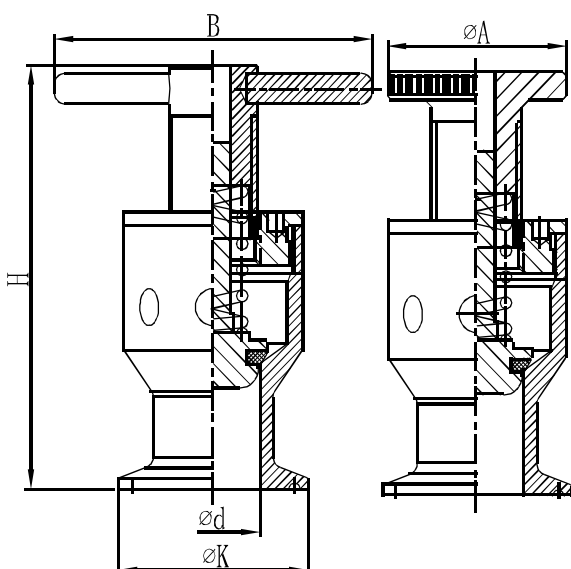


水封式排气阀L型

L type Exhaust Valve With or Without Pressure Gauge

Part no:SFV09

SIZE	d	D	K	H
1"	22.4	90	50.5	321
1.25"	28.8	90	50.5	321
1.5"	35.1	90	50.5	321



调节式排气阀

Adjustable Air Vent Valve

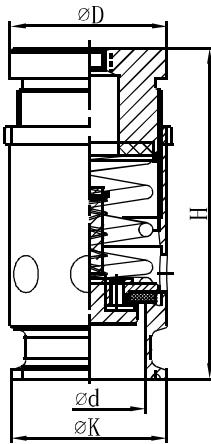
Part no:SFV10A/SFV10B

SIZE	d	K	A	B	H
0.5"	16.1	50.5	48	85	109
1"	22.4	50.5	48	85	109
1.25"	28.8	50.5	48	85	109

呼吸阀.REBRETHES/AIR RELIEF VALVE

调节式呼吸阀

Adjustable Rebreather

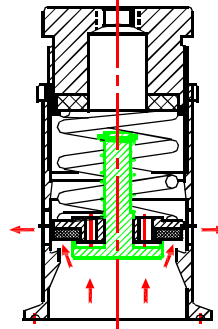


真空负压值: $-0.005 \sim -0.09\text{Mpa}$

Vacuum: $-0.005 \text{ to } -0.09\text{Mpa}$

排气压力值: $+0.05 \sim 0.3\text{Mpa}$

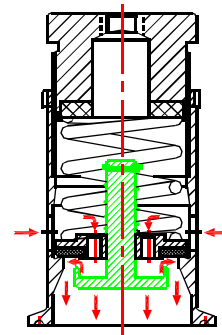
Exhaust pressure: $+ 0.05 \text{ to } 0.3 \text{ MPa}$



容器内压力大于阀门设定压力值时，阀门开启
 Valve opens, when pressure inside of container is higher than setting pressure value

Part no:SFV11

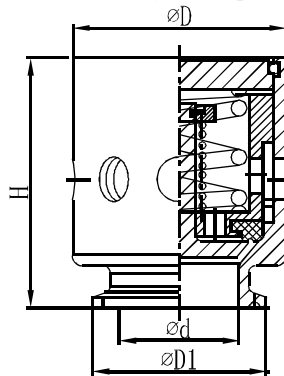
SIZE	d	D	K	H
1.5"	37	48.5	50.5	107
2"	47.5	48.5	50.5	107
2.5"	59.5	59	64	120



容器内真空负压值大于阀门负压设定值时，阀门关闭
 Valve closes, when vacuum inside of container is higher than setting vacuum value

固定式呼吸阀

Sanitary Clamped Rebreather Valve(unadjustable)



Part no:SFV12

SIZE	DN	D	D1	H
1"	22.4	62	50.5	72
1.5"	35.1	62	50.5	72
2"	47.8	62	64	72

呼吸阀.REBRETHES/AIR RELIEF VALVE

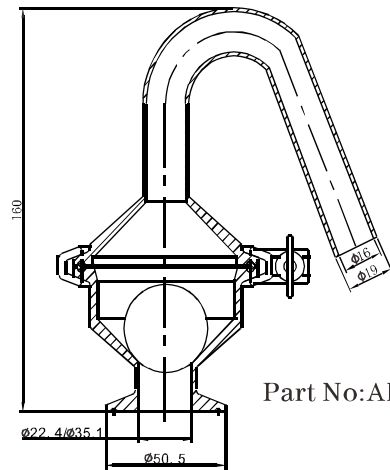
排气阀

这种自动排气阀采用一个双阀座的阀门，装有一个自由活动的塑料球。塑料球比水轻，能够根据压力条件来关闭上下阀座。此阀垂直安装在管道或容器的顶部或安装在泵进口之处，按需清除空气。



Exhaust Valve

The automatic exhaust valve adopts a double seat valve, fitted with a free plastic ball. Plastic ball is lighter than water, according to the condition of pressure to close the valve seat. This valve is mounted vertically in a pipeline or container top or installed in the pump inlet, on-demand air removal



Part No:ARV01

材质

- ◆ 上下阀座：不锈钢304
- ◆ 阀球：聚丙烯
- ◆ 密封环：EPDM
- ◆ 光洁度：抛光

Material

- ◆ Valve Body:SS 304
- ◆ Valve ball: Polypropylene
- ◆ Sealing:EPDM
- ◆ Finish: Ra<0.8um

技术数据

- ◆ 口径范围：F19
- ◆ 最大产品压力：1.0MPa
- ◆ 最高温度：90℃（由于阀球是塑料球）
- ◆ 阀球密度：0.906kg/dm³

Technical Data

- ◆ OD:Dia19mm
- ◆ Maximum pressure: 1.0MPa
- ◆ Maximum temperature: 90℃ (because the valve ball is a plastic ball)
- ◆ Valve ball density: 0.906kg/dm³

截止换向阀.STOP REVERSING VALVE

优点

卫生截止/转换阀门，具有更多的安全性、洁净性、耐久性及美观性。

拥有开放式的支架，将气动头与阀体分开，可以直接对轴密封进行检查。这一设计使阀的传动装置和产品部分分离，防止了从阀体到气动装置的热传递。

阀门“常关闭”与“常开启”功能可瞬间转换。

球形阀体具有理想的流动性，清洗性对物料的处理更温和

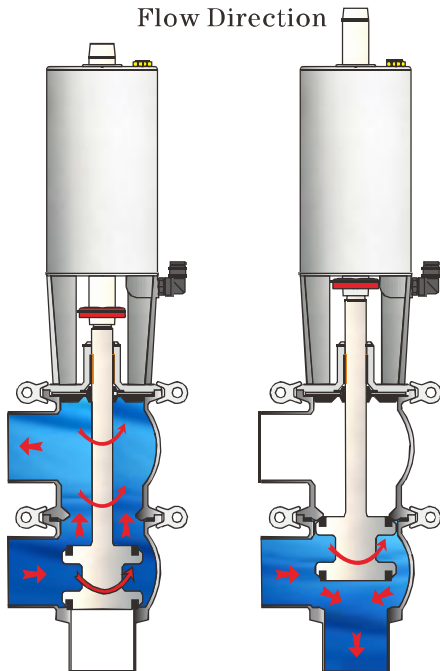
标准的阀件设计，使联接组合有高度的灵活性和多样性

金属止动，保证了更长的密封寿命

快速、便捷的装配及维修操作



液体流向
Flow Direction



Features:

Compact and robust design

Actuator and valve body is separated by bracket. When you need to check the sealing. Just take off the valve body from bracket. This design can prevent heat transferring from body to the actuator

"Normally Open" and "Normally closed" can be interchangeable by rotating the actuator 180 degree

Spherical valve body is ideal design for flowability, easy to clean.

Easy assemble/disassemble, maintainance

截止换向阀.STOP REVERSING VALVE

材质

产品与介质接触部分304或316L
 密封材料：标配EPDM另有硅胶、氟胶可
 选用

表面处理

外部：喷砂处理 $Ra \leq 1.6 \mu m$

抛亚光 $Ra \leq 0.8 \mu m$

内部：抛光 $Ra \leq 0.4 \mu m$

技术参数

执行器使用压缩空气质量要求

压缩空气连接：空气管配备空气接头R1/8"

最大颗粒尺寸：0.01mm

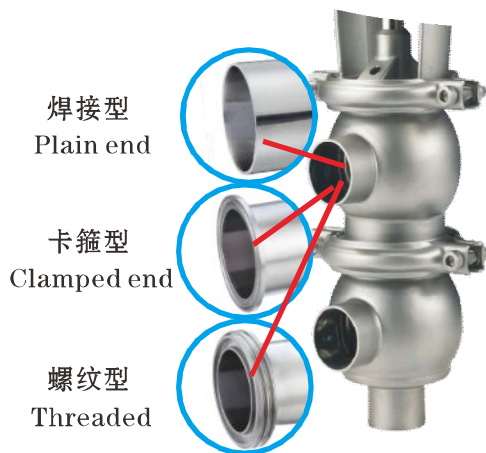
最大油含量：0.08ppm

露点：大气温度以下 $10^{\circ}C$ 或更低

最大水含量：7.5g/kg



焊接口橡胶保护套
 Rubber caps for protecting



焊接型
 Plain end

卡箍型
 Clamped end

螺纹型
 Threaded

Divert Seat Valve PLUS



信息反馈装置(选配)
 Limit Switches are available

Material

Wetted parts:SS304 or 316L
 Other stainless steel parts:SS304
 Seal:EPDM (standard) Silicone,FPM(optional)

Surface Finish

Outside:Sandblast $Ra \leq 1.6 \mu m$.
 Sublight $Ra \leq 0.8 \mu m$
 Inside:mechanical polish $Ra \leq 0.6 \mu m$

Working Temp: $-10^{\circ}C$ to $120^{\circ}C$ (EPDM)
 $140^{\circ}C$ (SIP max.30min)
 air adapter R1/8"

Max working pressure:10bar/145PSI

Compressed air pressure:5-10bar

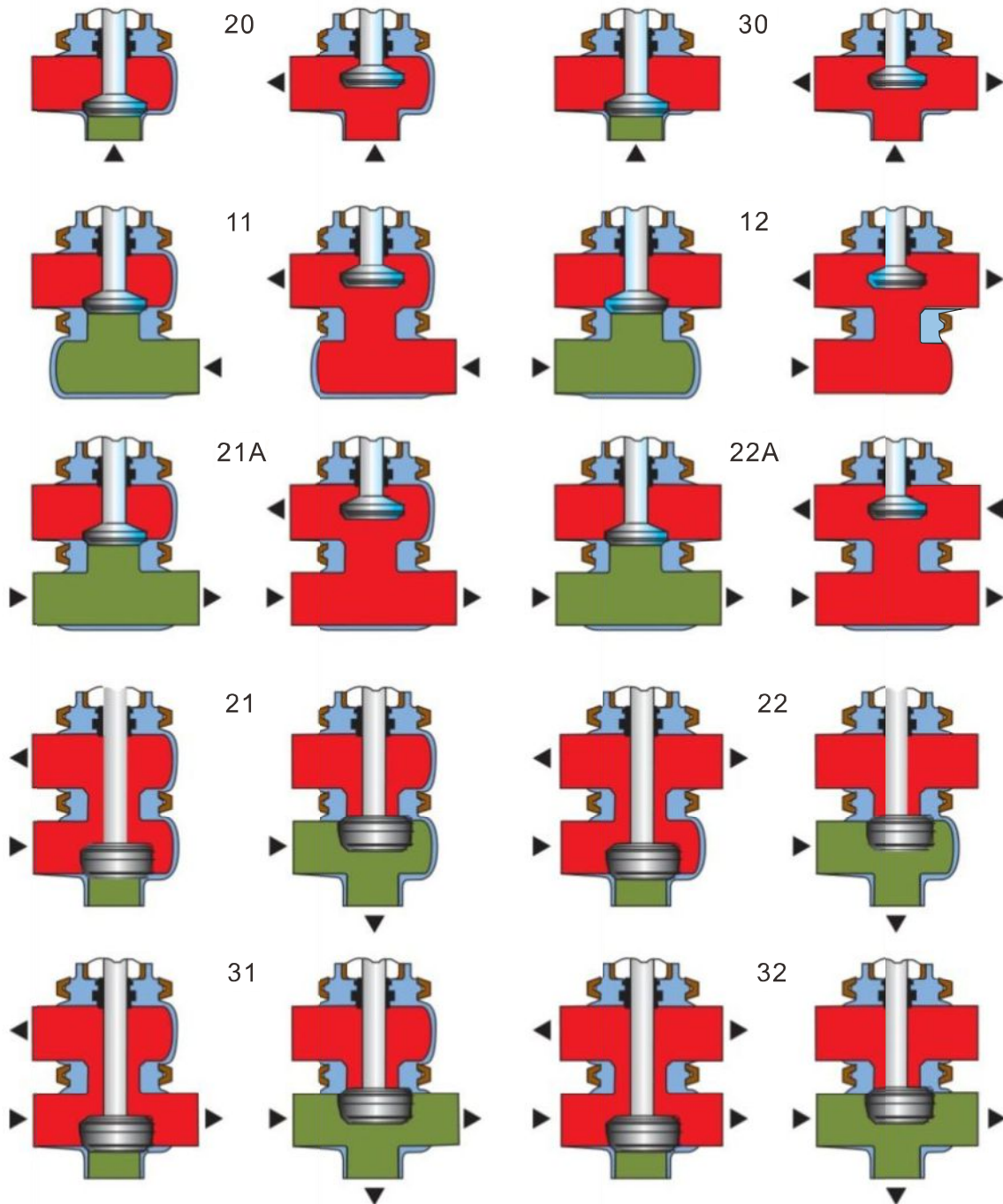
Air connection:G1/8"(BSP)

Connection ends:Butt welded,Tri-clamp,Threaded

Norms to:3A,SMS,DIN,ISO,RJT

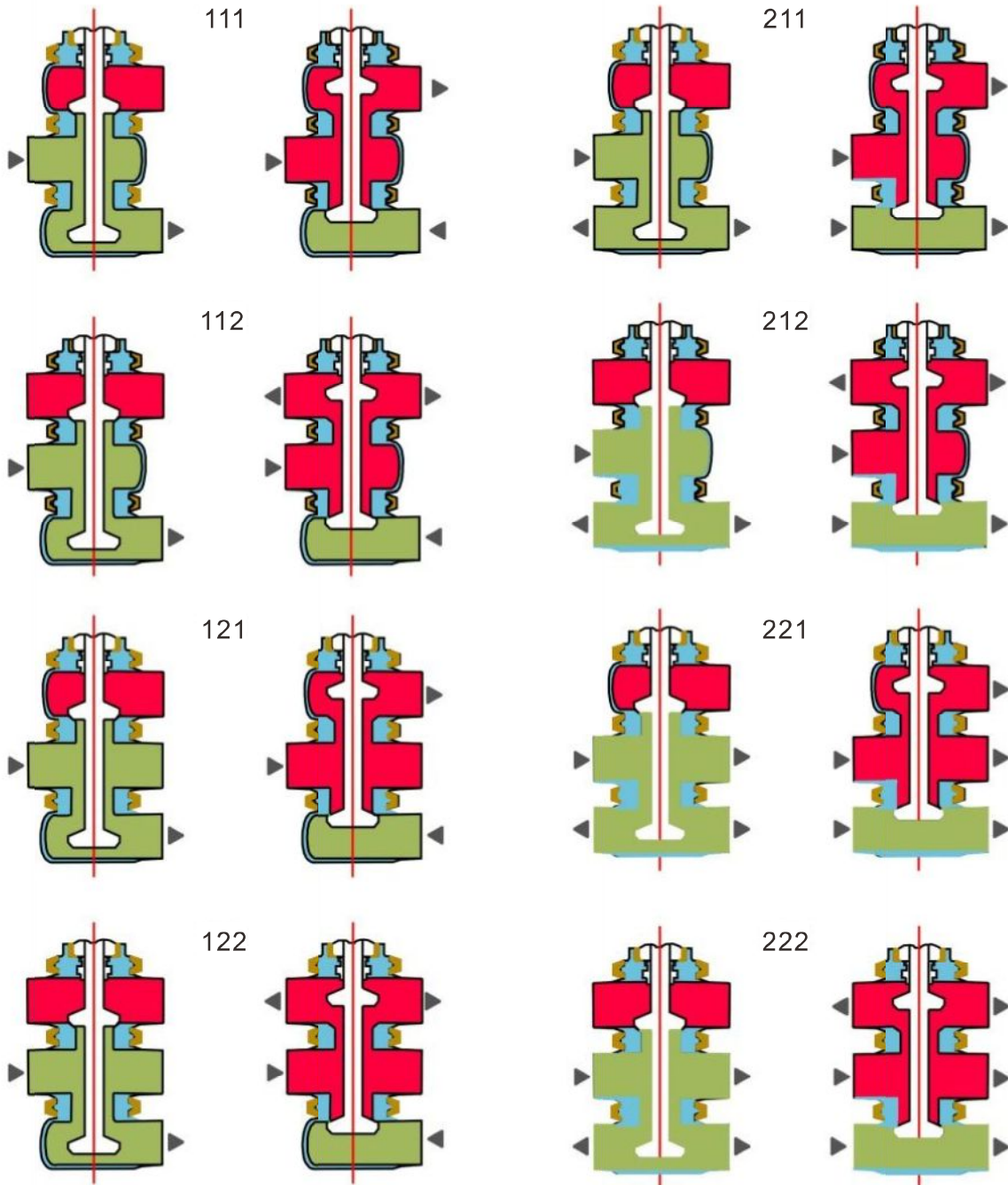
截止换向阀.STOP REVERSING VALVE

阀体组合 Body combination



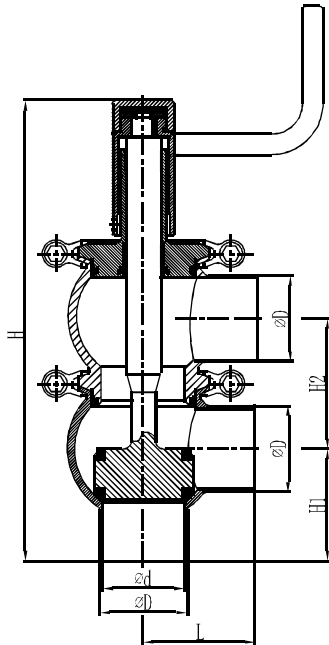
截止换向阀.STOP REVERSING VALVE

阀体组合 Body combination



截止换向阀.STOP REVERSING VALVE

手动换向阀
Manual divert seat valve(21 body)



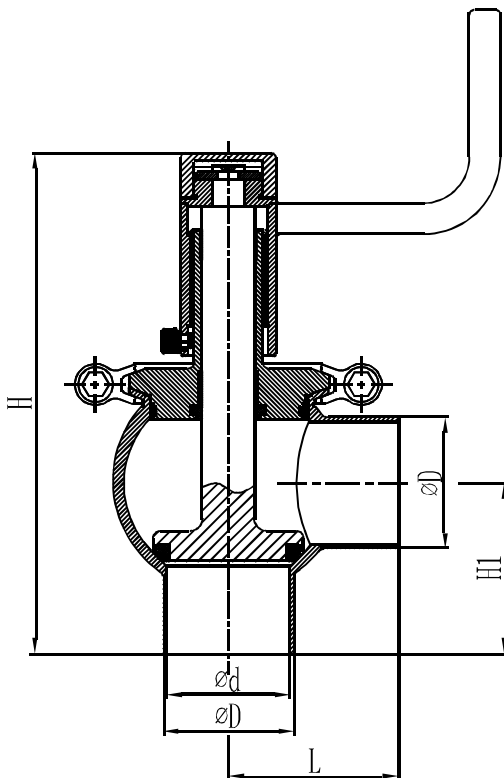
Part no:DSV01

Size	D	d	H1	H2	L	H
1"	25.4	22.4	61	66	61	247
1.25"	31.8	28.8	61	66	61	247
1.5"	38.1	35.1	58	67	58	245
2"	50.8	47.8	66	76	66	270
2.5"	63.5	59.5	77	88	77	299
3"	76.2	72.2	97	106	97	362
3.5"	88.9	84.9	97	120	107	381
4"	101.6	97.6	106	135	114	413

Part no:DSV02

Size	D	d	H1	H2	L	H
DN25	28	25	61	66	61	247
DN32	34	31	61	66	61	247
DN40	40	37	58	67	58	245
DN50	52	49	66	76	66	270
DN65	70	66	97	106	97	362
DN80	85	81	97	120	107	381
DN100	104	100	106	135	114	413

手动截止阀
Manual stop reversing valve(20 body)



Part no:DSV03

Size	D	d	H1	L	H
1"	25.4	22.4	61	61	180
1.25"	31.8	28.8	61	61	180
1.5"	38.1	35.1	58	58	178
2"	50.8	47.8	66	66	194
2.5"	63.5	59.5	77	77	211
3"	76.2	72.2	97	97	256
3.5"	88.9	84.9	97	107	261
4"	101.6	97.6	106	114	278

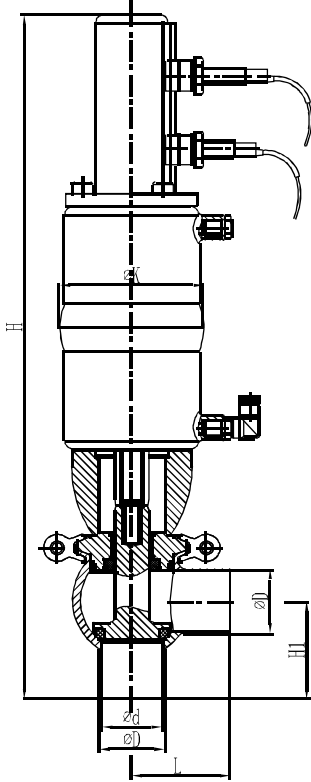
Part no:DSV04

Size	D	d	H1	L	H
DN25	28	25	61	61	180
DN32	34	31	61	61	180
DN40	40	37	58	58	178
DN50	52	49	66	66	194
DN65	70	66	97	97	256
DN80	85	81	97	107	261
DN100	104	100	106	114	278

截止换向阀.STOP REVERSING VALVE

气动截止阀

Pneumatic stop reversing valve(20body)



Part no:DSV05

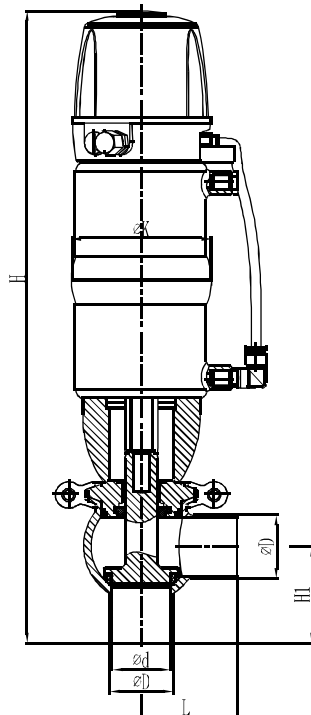
Size	D	d	H1	L	H	K
1"	25.4	22.4	61	61	398	85
1.25"	31.8	28.8	61	61	398	85
1.5"	38.1	35.1	58	58	396	85
2"	50.8	47.8	66	66	428	126
2.5"	63.5	59.5	77	77	446	126
3"	76.2	72.2	97	97	475	126
3.5"	88.9	84.9	97	107	492	140
4"	101.6	97.6	106	114	535	151

Part no:DSV06

Size	D	d	H1	L	H	K
DN25	28	25	61	61	398	85
DN32	34	31	61	61	398	85
DN40	40	37	58	58	396	85
DN50	52	49	66	66	428	126
DN65	70	66	97	97	475	126
DN80	85	81	97	107	492	140
DN100	104	100	106	114	535	151

智能型气动截止阀

Pneumatic stop reversing valve with intelligent control head(20 body)



Part no:DSV07

Size	D	d	H1	L	H	K
1"	25.4	22.4	61	61	429	85
1.25"	31.8	28.8	61	61	429	85
1.5"	38.1	35.1	58	58	427	85
2"	50.8	47.8	66	66	459	126
2.5"	63.5	59.5	77	77	477	126
3"	76.2	72.2	97	97	506	126
3.5"	88.9	84.9	97	107	523	140
4"	101.6	97.6	106	114	566	151

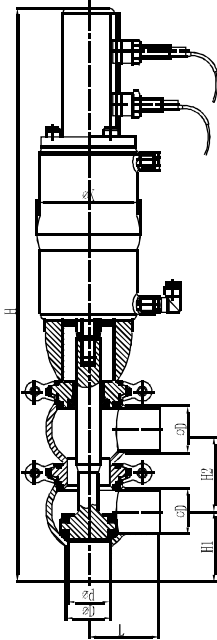
Part no:DSV08

Size	D	d	H	L	H	K
DN25	28	25	61	61	429	85
DN32	34	31	61	61	429	85
DN40	40	37	58	58	427	85
DN50	52	49	66	66	459	126
DN65	70	66	97	97	506	126
DN80	85	81	97	107	523	140
DN100	104	100	106	114	566	151

截止换向阀.STOP REVERSING VALVE

气动换向阀

Pneumatic divert seat valve(21 body)



Part no:DSV09

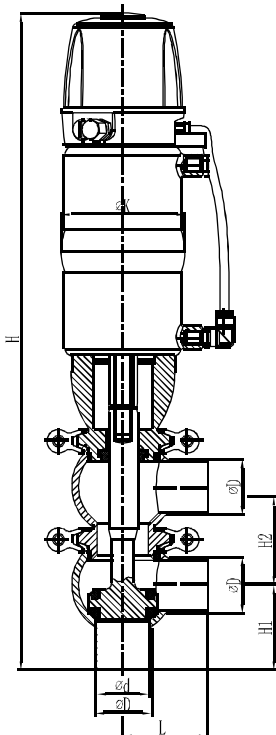
Size	D	d	H1	H2	L	H	K
1"	25.4	22.4	61	66	61	465	85
1.25"	31.8	28.8	61	66	61	465	85
1.5"	38.1	35.1	58	67	58	463	85
2"	50.8	47.8	66	76	66	504	126
2.5"	63.5	59.5	77	88	77	534	126
3"	76.2	72.2	97	106	97	581	126
3.5"	88.9	84.9	97	120	107	612	140
4"	101.6	97.6	106	135	114	670	151

Part no:DSV10

Size	D	d	H1	H2	L	H	K
DN25	28	25	61	66	61	465	85
DN32	34	31	61	66	61	465	85
DN40	40	37	58	67	58	463	85
DN50	52	49	66	76	66	504	126
DN65	70	66	97	106	97	581	126
DN80	85	81	97	120	107	612	140
DN100	104	100	106	135	114	670	151

智能型气动换向阀

Pneumatic divert seat valve with intelligent control head(21 body)



Part no:DSV11

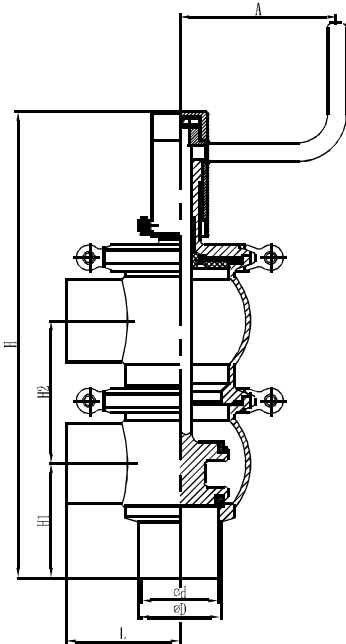
Size	D	d	H1	H2	L	H	K
1"	25.4	22.4	61	66	61	496	85
1.25"	31.8	28.8	61	66	61	496	85
1.5"	38.1	35.1	58	67	58	494	85
2"	50.8	47.8	66	76	66	535	126
2.5"	63.5	59.5	77	88	77	565	126
3"	76.2	72.2	97	106	97	612	126
3.5"	88.9	84.9	97	120	107	643	140
4"	101.6	97.6	106	135	114	701	151

Part no:DSV12

Size	D	d	H1	H2	L	H	K
DN25	28	25	61	66	61	496	85
DN32	34	31	61	66	61	496	85
DN40	40	37	58	67	58	494	85
DN50	52	49	66	76	66	535	126
DN65	70	66	97	106	97	612	126
DN80	85	81	97	120	107	643	140
DN100	104	100	106	135	114	701	151

截止换向阀.STOP REVERSING VALVE

手动换向阀
Manual divert seat valve(21 body)



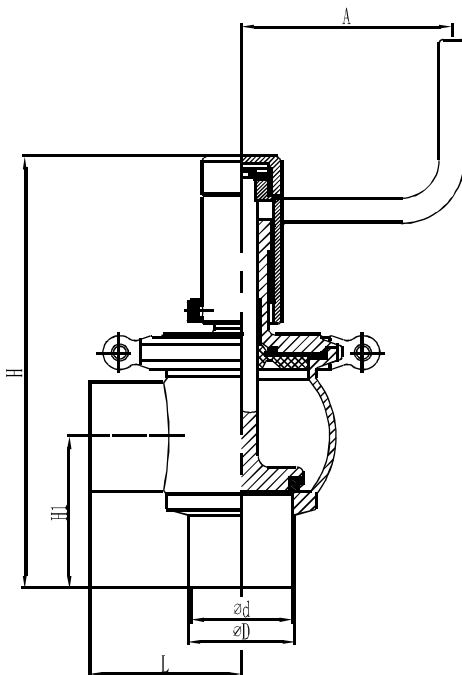
Part no:DSV13

SIZE	d	D	L	H1	H2	A	H
1"	22.4	25.4	72	72	90	100	295
1.25"	35.1	38.1	72	72	90	100	295
1.5"	35.1	38.1	72	72	90	100	295
2"	47.8	50.8	72	72	90	100	295
2.5"	59.5	63.5	80	75	99	100	312

Part no:DSV14

SIZE	d	D	L	H1	H2	A	H
DN25	25	28	72	72	90	100	295
DN32	31	34	72	72	90	100	295
DN40	37	40	72	72	90	100	295
DN50	49	52	72	72	90	100	295

手动截止阀
Manual stop reversing valve(20 body)



Part no:DSV15

SIZE	d	D	L	H1	A	H
1"	22.4	25.4	72	72	100	204
1.25"	35.1	38.1	72	72	100	204
1.5"	35.1	38.1	72	72	100	204
2"	47.8	50.8	72	72	100	204
2.5"	59.5	63.5	80	75	100	213

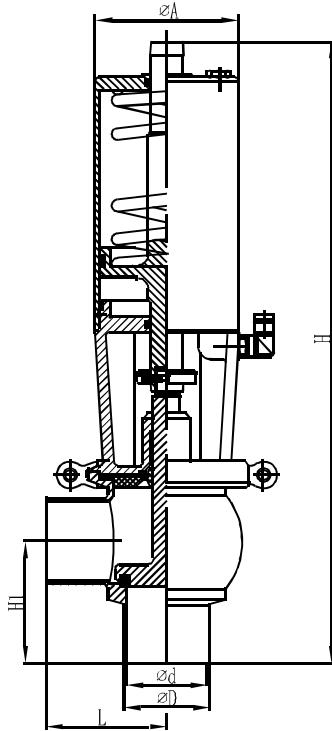
Part no:DSV16

SIZE	d	D	L	H1	A	H
DN25	25	28	72	72	100	204
DN32	31	34	72	72	100	204
DN40	37	40	72	72	100	204
DN50	49	52	72	72	100	204

截止换向阀.STOP REVERSING VALVE

气动截止阀

Pneumatic stop reversing valve(20 body)



Part no:DSV17

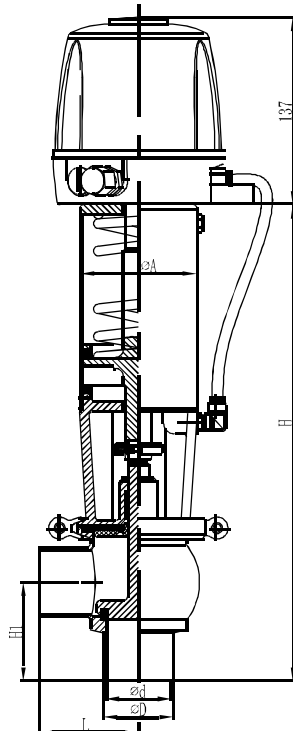
SIZE	d	D	L	H1	A	H
1"	22.4	25.4	72	72	86	367
1.25"	35.1	38.1	72	72	86	367
1.5"	35.1	38.1	72	72	86	367
2"	47.8	50.8	72	72	86	367
2.5"	59.5	63.5	80	75	86	373

Part no:DSV18

SIZE	d	D	L	H1	A	H
DN25	25	28	72	72	86	367
DN32	31	34	72	72	86	367
DN40	37	40	72	72	86	367
DN50	49	52	72	72	86	367

智能型气动截止阀

Pneumatic stop reversing valve with intelligent control head(20 body)



Part no:DSV19

SIZE	d	D	L	H1	A	H
1"	22.4	25.4	72	72	86	353
1.25"	35.1	38.1	72	72	86	353
1.5"	35.1	38.1	72	72	86	353
2"	47.8	50.8	72	72	86	353
2.5"	59.5	63.5	80	75	86	357

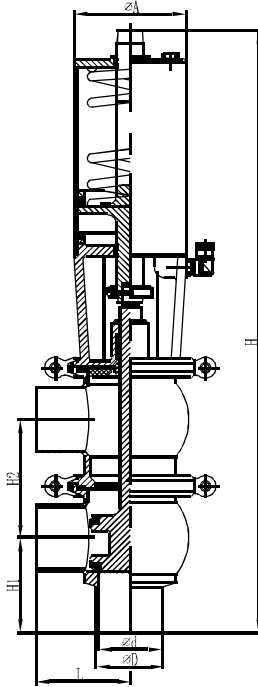
Part no:DSV20

SIZE	d	D	L	H1	A	H
DN25	25	28	72	72	86	353
DN32	31	34	72	72	86	353
DN40	37	40	72	72	86	353
DN50	49	52	72	72	86	353

截止换向阀.STOP REVERSING VALVE

气动换向阀

Pneumatic divert seat valve(21 body)



Part no:DSV21

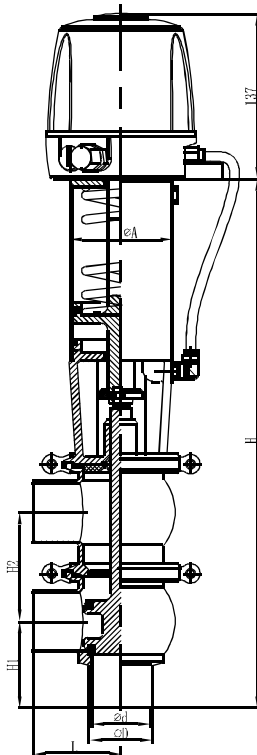
SIZE	d	D	L	H1	H2	A	H
1"	22.4	25.4	72	72	90	86	453
1.25"	35.1	38.1	72	72	90	86	453
1.5"	35.1	38.1	72	72	90	86	453
2"	47.8	50.8	72	72	90	86	453
2.5"	59.5	63.5	80	75	99	86	472

Part no:DSV22

SIZE	d	D	L	H1	H2	A	H
DN25	25	28	72	72	90	86	453
DN32	31	34	72	72	90	86	453
DN40	37	40	72	72	90	86	453
DN50	49	52	72	72	90	86	453

智能型气动换向阀

Pneumatic divert seat valve with intelligent control head(21 body)



Part no:DSV23

SIZE	d	D	L	H1	H2	A	H
1"	22.4	25.4	72	72	90	86	439
1.25"	35.1	38.1	72	72	90	86	439
1.5"	35.1	38.1	72	72	90	86	439
2"	47.8	50.8	72	72	90	86	439
2.5"	59.5	63.5	80	75	99	86	456

Part no:DSV24

SIZE	d	D	L	H1	H2	A	H
DN25	25	28	72	72	90	86	439
DN32	31	34	72	72	90	86	439
DN40	37	40	72	72	90	86	439
DN50	49	52	72	72	90	86	439

流量调节阀.REGULATING VALVE

薄膜调节阀

Membrane pneumatic regulating control valve

应用

该阀是有电—气调节 阀和手动调节阀两种形式，用于自动化控制系统中，对压力、流量、液位、温度、及罐体液位等进行控制。

阀体材质

与物料接触部件：不锈钢304或316L

阀芯密封选择

软密封（EPDM或PTFE）

金属与金属

电—气调节阀类型

标准型：管口为焊接式、球形阀体、EPDM，阀全关（常闭）

定位器：电/气(I/P)转换

信号范围：4~20mA（标准）

其他类型可选

定位器：气/气（P/P）转换

阀芯：常开型

表面处理

外部：喷砂处理 $Ra \leq 1.6\mu m$

抛亚光 $Ra \leq 0.6\mu m$

内部：抛光 $Ra \leq 0.6\mu m$



Application

Regulating valve is suitable to control different rate of flow, pressure, temperature. It is widely used in food, pharmacy, cosmetic, purified water, beer, beverage industries. It can be both manually operated and electric, air actuated

Material:

Stainless steel wetted part: SS304 or SSS316L

Gasket: EPDM, PTFE. metal/metal

Standand Designs:

Welded end. (clamped, threaded ends are options)

EPDM gasket

Normorlly closed

Positioner: I/P (P/P is optional)

Signal range: 4 - 20mA

Suface Finish:

External: Sand Blasted $Ra \leq 1.6 \mu m$. or Bright finishe $Ra \leq 0.6 \mu m$

Internal: Mirror polish to $Ra \leq 0.6 \mu m$

流量调节阀.REGULATING VALVE

表一：技术数据 Table One: Technical Data

公称通径	Nominal Diameter	DIN	DN25-DN100	
焊接头连接	Welding Connection	DIN ISO/IDF SMS	管道根据DIN11850 1"~4"	Pipeline According to DIN11850 1"~4"
公称压力	Nominal Pressure		PN≤1.0Mpa	PN≤1.0Mpa
阀芯密封	seal		金属或软密封	Metal or Soft Sealing
特性	Characteristics		等百分比或线性	Equal percentage or linear
量程比	Measure Ratio		50:1最大到DN50; DN65及以上30:1	50:1(DN15-DN50),30:1(DN65-DN100)
温度范围	Temperature Range		-10℃~+150℃	-10℃~+150℃

表二：选型参考资料 Table Two: Reference Data for Choosing Type

规格 Size		Flow Kvs m ³ /h	执行器面积cm ² The Area of Actuator cm ²	有效行程 mm Effective Distance mm	执行器工作范围 The Working Range of Actuator 用于ΔP为(阀常闭) Used for ΔPis (Valve normally close)	
DIN	ISO/IDF				5bar	10bar
DN15		1.6	120	7.5	1.7~2.1	
		2.5			1.7~2.1	
DN20		4			1.7~2.1	
DN25	1"	6.3	240	15	0.3~1.1	0.9~3.3
		10			0.3~1.1	0.9~3.3
DN40	1.5"	10	240	15	0.6~2.2	0.9~3.3
		16			0.6~2.2	0.9~3.3
		25			0.6~2.2	0.9~3.3
DN50	2"	16	240	15	0.6~2.2	0.9~3.3
		25			0.6~2.2	0.9~3.3
		35	350		1.4~2.3	2.1~3.3
DN65	2.5"	25	350	15	1.4~2.3	2.1~3.3
		35			1.4~2.3	2.1~3.3
		60			1.4~2.3	2.1~3.3
DN80	3"	35	350	15	1.4~2.3	2.1~3.3
		60			1.4~2.3	2.1~3.3
		80			1.4~2.3	2.1~3.3
DN100	4"	60	350	15	1.4~2.3	2.1~3.3
		100			1.4~2.3	2.1~3.3

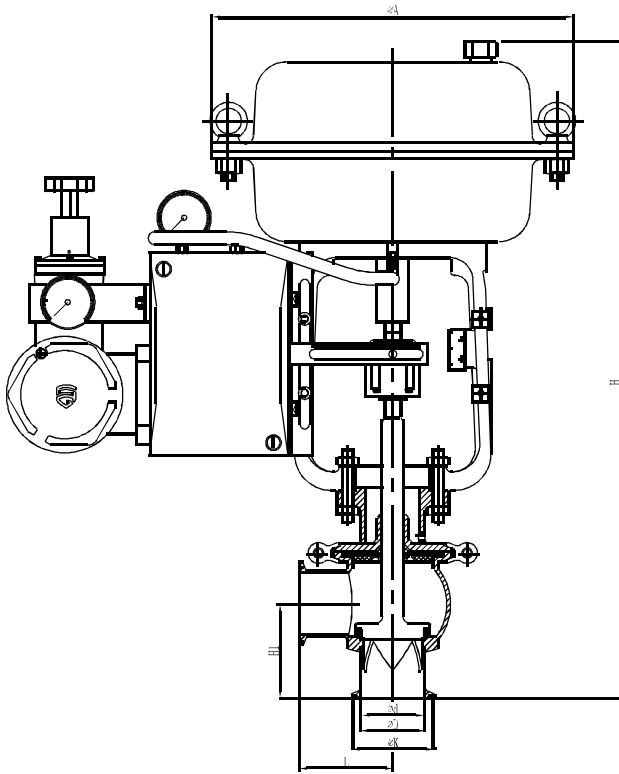
表三：执行器使用压缩空气质量要求

Table Three: The Quality Requirement for Compressed Air Used in Actuator

压缩空气连接	Compressed Air Connection	空气管配备空气接头 R1/8"(BSP)	Air pipe with air connection R1/8"(BSP)
最小工作压力	Minimum Working Pressure	0.4Mpa	0.4Mpa
最大允许供气压力	Maximum Air Supply Pressure	0.6Mpa	0.6Mpa
最大颗粒尺寸	Maximum Pellet Size	0.01mm	0.01mm
最大油含量	Maximum Oil Content	0.08ppm	0.08ppm
露点	Dew Point	大气温度以下10℃或更低	10℃ lower than air temperature or lower
最大水含量	Maximum Water Content	7.5g/ g	7.5g/ g

流量调节阀.REGULATING VALVE

薄膜调节阀
 Membrane pneumatic regulating control valve



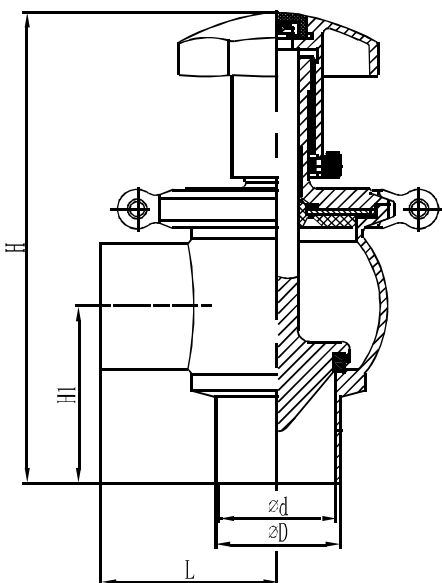
Part no:RGV01

SIZE	d	D	L	H1	A	H
1"	22.4	25.4	72	72	285	429
1.25"	35.1	38.1	72	72	285	429
1.5"	35.1	38.1	72	72	285	459
2"	47.8	50.8	72	72	285	459
2.5"	59.5	63.5	80	75	360	543
3"	72.2	76.2	97	97	360	574
3.5"	84.9	88.9	107	97	360	579
4"	97.6	101.6	114	106	360	560

Part no:RGV02

SIZE	d	D	L	H1	A	H
DN25	25	28	72	72	285	429
DN32	31	34	72	72	285	429
DN40	37	40	72	72	285	459
DN50	49	52	72	72	285	459
DN65	66	70	97	97	360	530
DN80	81	85	107	97	360	579
DN100	100	104	114	106	360	560

手动流量调节阀
 Manual flow rate regulating valve



Part no:RGV03

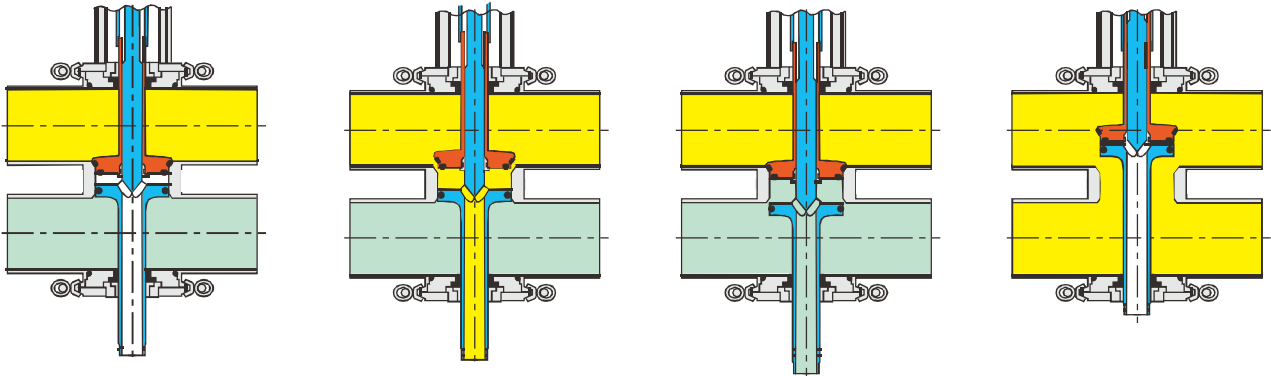
SIZE	d	D	L	H1	H
1"	22.4	25.4	72	72	192
1.25"	28.8	31.8	72	72	192
1.5"	35.1	38.1	72	72	192
2"	47.8	50.8	72	72	192
2.5"	59.5	63.5	80	75	201

Part no:RGV04

SIZE	d	D	L	H1	H
DN25	25	28	72	72	192
DN32	31	34	72	72	192
DN40	37	40	72	72	192
DN50	49	52	72	72	192

防混阀.MIXING PROOF VALVE

外清洗双座防混阀在开关过程中阀瓣的位置



阀门关闭时，上下阀腔各自由单独的阀座密封。中间泄露通道可通过外部进行单独CIP清洗。

When the valve is closed, up and down the valve Cavities each with a separate seat seal. Middle leak channel, It can be done separately from the outside CIP cleaning.

阀门开启时，上阀座向上提升，上阀体内的液体可从泄露通道中流出。下阀座由单独阀座密封。

Valve open, the valve seat Lift up on the valve body The liquid can leak from the channel In the outflow. Lower seat by a single Single seat seal.

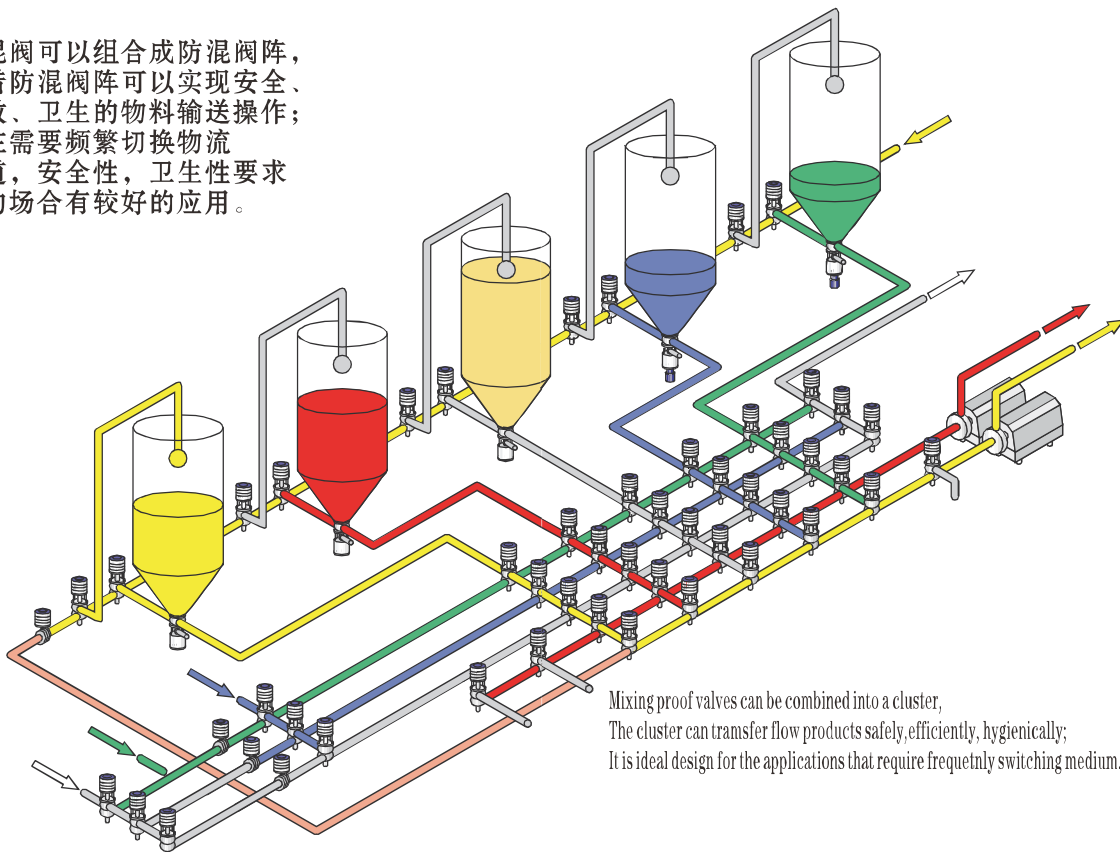
阀门开启时，下阀座向下提升，上阀体内的液体可从泄露通道中流出。上阀座由单独阀座密封。

When the valve is open, the lower seat Lift down on the valve body The liquid can leak from the channel In the outflow. Seat on the single Single seat seal.

阀门开启，下阀座提升时和上阀座间的隔离腔关闭，使得阀门开启时泄露通道无泄露。

Valve open, under the seat to mention L, under the seat to enhance and Upper chamber between the isolation chamber off Close, making the valve open No leakage of leaks.

防混阀可以组合成防混阀阵，凭借防混阀阵可以实现安全、高效、卫生的物料输送操作；这在需要频繁切换物流通道，安全性，卫生性要求高的场合有较好的应用。



Mixing proof valves can be combined into a cluster, The cluster can transfer flow products safely, efficiently, hygienically; It is ideal design for the applications that require frequently switching medium.

防混阀.MIXING PROOF VALVE

F01 Series Mix Proof Valve Characteristics

This valve is used to proof the mix of different material in the pipeline cross. While the valve is close, the two pipes are double sealed, the liquid leaking from one pipe to the other can be eliminated. While the seal is damaged, the leakages will be drained by the draining chamber. The supplier of lotion to the isolation chamber is connected by a unique CIP and also the isolation chamber cleaning is indifferent to the valve position.

F02 Series Double Seals Mix Proof Valve Characteristics

This Valve is used as the mix proof separation in the pipe system by adopting one valve disc with two seals tech. This valve is the economic choice among the double seat valve. The chamber between the valve disc seals is connected with two drain valves, by which we can detect the seal leakage and clean the chamber.



The Advantages Compared With Traditional Design

- Less components
- Less space
- Easier maintenance
- No dead corner
- No contact between drain system and products
- The separation chamber cleaning will not occur any hydraulic-pressure and not influenced by the equipment or valve status.

Technical Parameter

Material Press Range: 0~8bar

Operative Temp. Range: -10°C~+150°C

Operative Air Press: 6~8bar

Material

Material Contact Parts: 304 or 316L

Sealing material: standard EPDM Silicone, FPM for option

Surface Treatment

Outside: Sandblast $Ra \leq 1.6 \mu m$

Sublight $Ra \leq 0.6 \mu m$

Inside: polish $Ra \leq 0.6 \mu m$

Requirements For Compressed Air Quality That The Executor Needs

Compressed air joint: air pipe equipped equipments with air adapter R1/8"

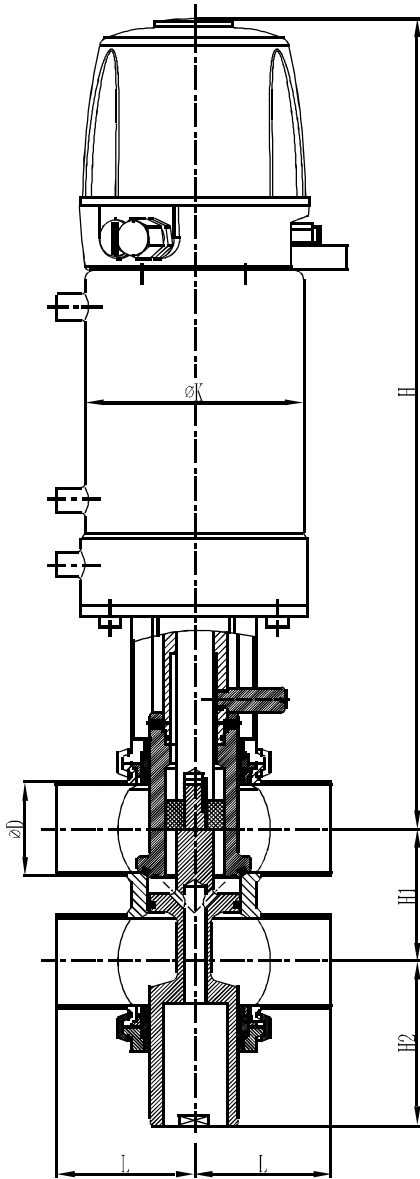
Max grain size: $0.01 \mu m$

Max oil content: 0.08ppm

Dew point: below 10°C or less

Max water content: 7.5g/kg

防混阀.MIXING PROOF VALVE



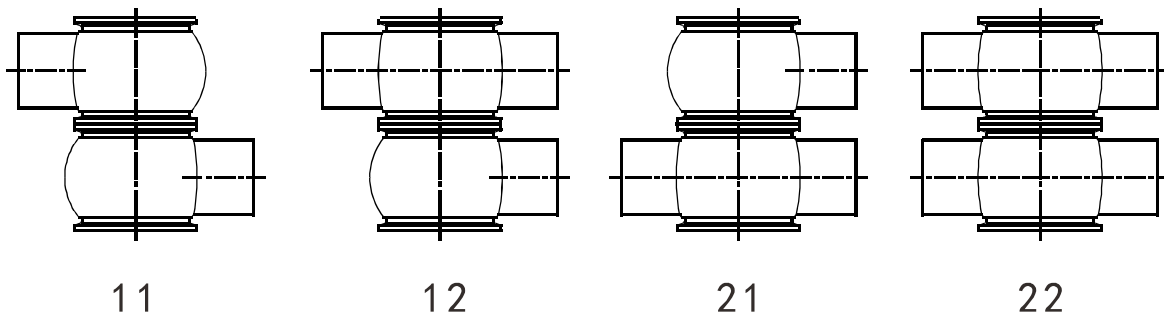
Part no:MXV01

Size	D	H2	H1	L	K	H
1 1/2"	38.1×1.5	90	60	65	83	442
2"	50.8×1.5	100	72	85	123	468
2 1/2"	63.5×2.0	110	86.8	100	123	474
3"	76.2×2.0	135	102.9	125	173	632
4"	101.6×2.0	150	127.6	150	173	632

Part no:MXV02

Size	D	H2	H1	L	K	H
DN40	40×1.5	90	63.2	65	83	443
DN50	52×1.5	100	74.5	85	123	469
DN65	70×2.0	115	92	100	123	477
DN80	85×2.0	140	111	125	173	624
DN100	104×2.0	150	130	150	173	633

阀体组合 Body combination



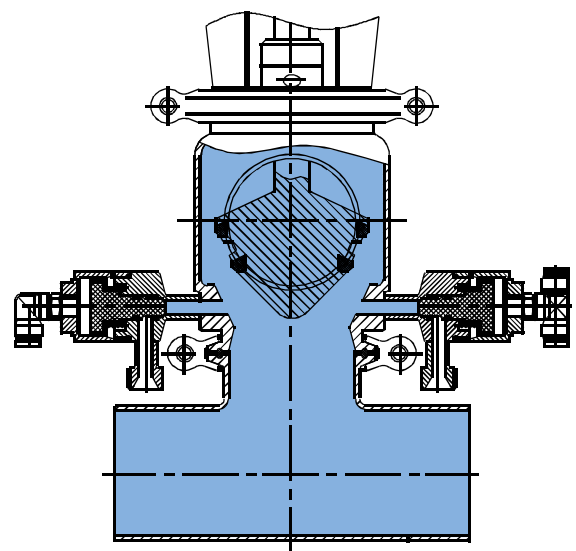
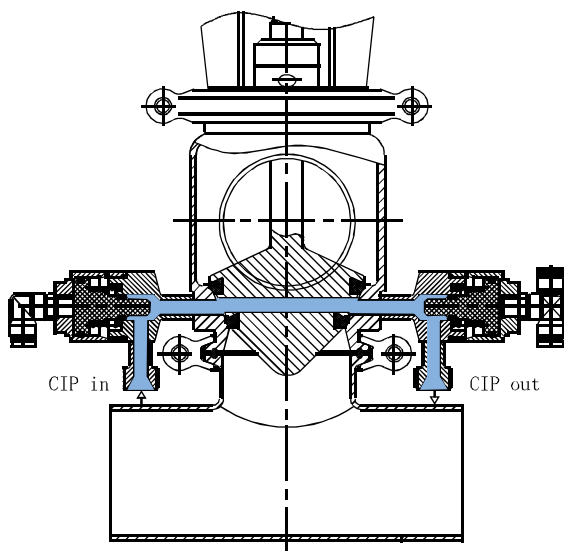
防混阀.MIXING PROOF VALVE

外清洗单座双密封防混阀

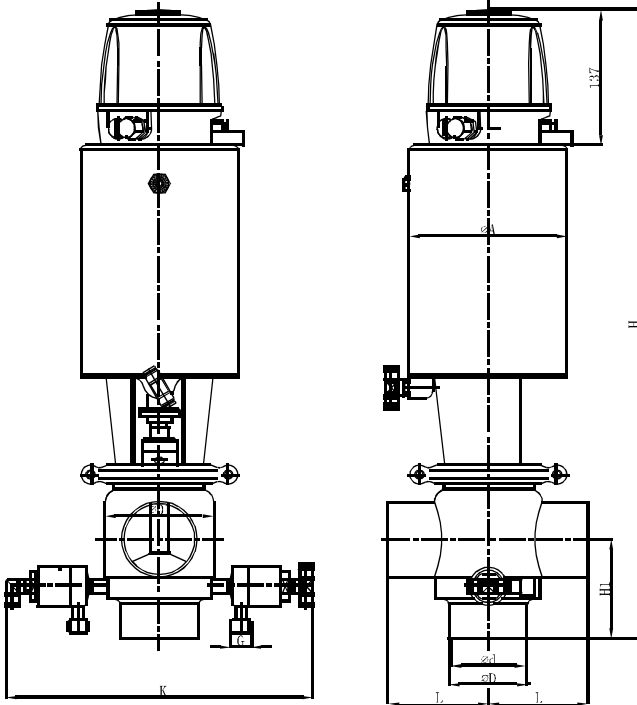
CIP mixing proof valve, single seat double sealing



外清洗单座双密封防混阀在开关过程中阀瓣的位置



防混閥.MIXING PROOF VALVE

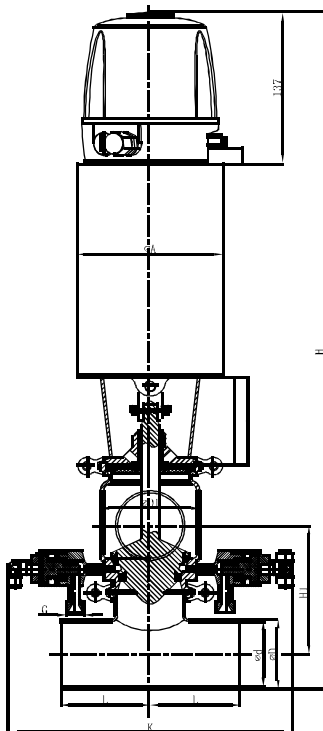


Part no:MXV03

size	d	D	A	H1	L	K	G	D1	H
1.5"	35.1	38.1	86	69	69	260	3/8"	79	488
2.0"	47.8	50.8	86	72	72	260	3/8"	79	485
2.5"	59.5	63.5	133	82	82	269	3/8"	93	550

Part no:MXV04

size	d	D	A	H1	L	K	G	D1	H
DN40	35.1	38.1	86	69	69	260	3/8"	79	488
DN50	47.8	50.8	86	72	72	260	3/8"	79	485



Part no:MXV05

size	d	D	A	H1	L	K	G	D1	H
1.5"	35.1	38.1	86	97	68.5	260	3/8"	79	539
2.0"	47.8	50.8	86	102	72	260	3/8"	79	547
2.5"	59.5	63.5	133	117	82.5	269	3/8"	93	618

Part no:MXV06

size	d	D	A	H1	L	K	G	D1	H
DN40	35.1	38.1	86	97	68.5	260	3/8"	79	539
DN50	47.8	50.8	86	102	72	260	3/8"	79	547

圆形人孔.ROUND MANYWAY

应用

Applications

该压力型人孔主要应用在食品，酿酒，饮料,制药等工业领域压力容器上。

The pressure type man hole is mainly used for pressure vessel in the fields of food, beverage, chemical, etc.

设计和特点

- 外开式人孔盖子
- 塑料手轮或不锈钢手轮
- 带法兰式窥视镜
- 由任式窥视镜
- 内表面: $Ra \leq 0.8 \mu m - 0.5 \mu m$
- 外表面: 抛光处理、亚光处理、喷砂处理
- 最大压力: 5.0bar
- 垫圈: EPDM、NBR、SILICON、FPM 符合 FDA177.1600
- 高度 100, 120, 150mm
- 材质: AISI304(1.4301)/316L(1.4404)

Design and features

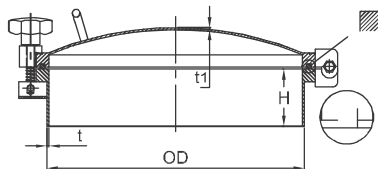
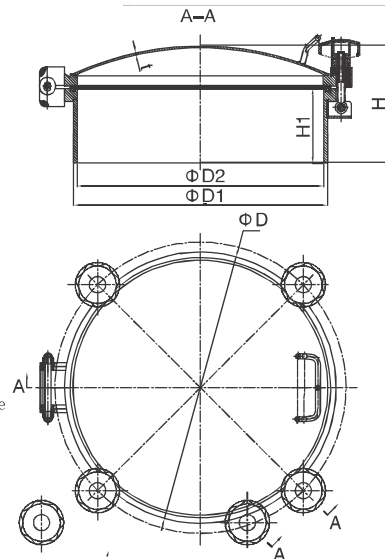
- Outward opening man hole cover
- Plastic hand wheel or stainless steel hand wheel
- Sight glass with flange
- Union type sight glass
- Internal surface: $Ra \leq 0.8 \mu m - 0.5 \mu m$
- Outside surface: polishing finished, sub-light finished, sand-blasting finished.
- Max. pressure: 5.0bar
- Gasket:EPDM,NBR,SILICONE,FPM in accordance with FDA177.1600
- Height: 100,120,150mm
- Material:AISI304(1.4301)/316 L (1.4404)



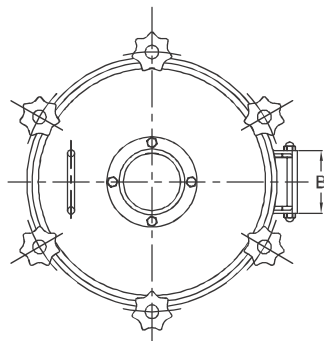
Part no:MCF01

规格	H1	D1	D2
Φ200	100	200	194
Φ220	100	220	214
Φ300	100	300	294
Φ350	100	350	344
Φ400	100	400	394
Φ430	100	430	424
Φ450	100	450	444
Φ500	100	500	494
Φ600	100	600	594

高度(H1)可制作成120MM,150MM等;壁厚可以制作4MM或其它的壁厚;手轮数量也可根据客户要求改变。
 Height(H1) can be changed to 120mm, 150mm, etc. The thickness can be changed to 4mm or other sizes. The amount of handles can be changed according to request of customers



Manway with sightglass
 Part no:MCF02



Size	OD mm	t mm	H mm	t1 mm	视镜 Sight Glass	Pres (Bar)
200	206	3	100	3	DN80	1 - 3
300	306	3	100	3	DN80	1 - 3
350	356	3	100	3	DN80	1 - 3
400	406	3	100	3	DN80	1 - 3
430	436	3	100	3	DN80	1 - 3
450	456	3	100	3	DN80	1 - 3
500	508	4	100	3	DN100	1 - 3
600	608	4	100	4	DN100	1 - 3

圆形人孔.ROUND MANYWAY

应用

Applications

该人孔主要应用在食品，酿酒，饮料,制药等工业领域罐设备上。

The Man Hole Is Mainly Used For Tanks In The Fields Of Food, Beverage, Chemical, Etc.



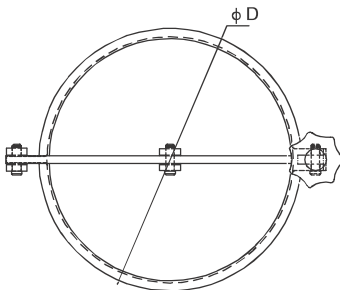
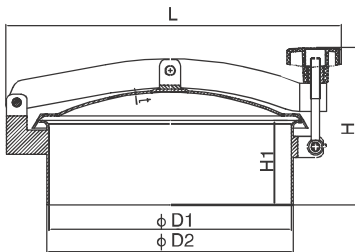
设计和特点

外开式人孔盖子

- 塑料手轮或不锈钢手轮
- 内表面: Ra0.8 μ m-0.5 μ m
- 外表面: 抛光处理、亚光处理、喷砂
- 处理最大压力: 1.0bar
- 垫圈: EPDM、NBR、SILICON、FPM 符合FDA177.2600
- 高度: 100、120、150mm
- 材质: AISI304(1.4301)/316L(1.4404)

Design and features

- Outward opening man hole cover
- Plastic hand wheel or stainless steel hand wheel
- Internal surface: Ra0.8 μ m-0.5 μ m
- Outside surface: polishing finished, sub-light finished, sand-blasting finished.
- Max. pressure: 5.0bar
- Gasket: EPDM,NBR,SILICON,FPM in accordance with FDA177.2600
- Height: 100,120,150mm
- Material:AISI304(1.4301)/316L(1.4404)



Part no:MCF03

规格	H1	D1	D2
Φ200	100	200	194
Φ220	100	220	214
Φ300	100	300	294
Φ350	100	350	344
Φ400	100	400	394
Φ430	100	430	424
Φ450	100	450	444
Φ500	100	500	494
Φ600	100	600	594

高度 (H1) 可制作成120MM,150MM等; 壁厚可根据客户要求改变;
 Height(H1) can be changed to 120mm, 150mm, etc. The thickness can be customized according to request of customers

椭圆形人孔.ELLIPTICAL MANHOLE COVER

应用

Applications

该人孔主要应用在食品，酿酒，饮料,制药等工业领域罐设备上。

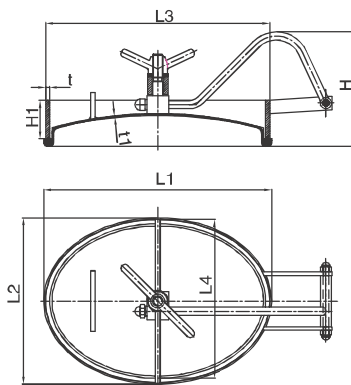
The Man Hole Is Mainly Used For Tanks In The Fields Of Food, Beverage, Chemical, Etc.

设计和特点

- 内开式人孔盖子
- 扳手式手柄，手轮式手柄
- 内表面：Ra≤0.8μm-0.5μm
- 外表面：抛光处理、亚光处理、喷砂处理
- 最大压力：3.0bar
- 垫圈：EPDM、NBR、SILICON、FPM 符合FDA177.2600
- 度：75，100，120，150mm
- 材质：AISI304(1.4301)/316L(1.4404)

Design and features

- inward opening man hole cover
- Spanner type handle, hand wheel handle
- Internal surface: $Ra \leq 0.8 \mu m - 0.5 \mu m$
- Outside surface: polishing finished, sub-light finished, sand-blasting finished.
- Max. pressure: 3.0bar
- Gasket: EPDM、NBR、SILICON、FPM in accordance with FDA177.2600
- Height: 75, 100, 120, 150mm
- Material: AISI304(1.4301)/316L(1.4404)



Part no:MCF04

规格	H1	L3	L4	T
435*335	75	435	335	8.0
530*430	100	530	430	10.0
635*525	160	635	344	10.0

高度 (H1) 可根据客户要求；壁厚可根据客户要求；
 Height(H1) and the thickness can be changed according to request of customers.

方形人孔.SQUARE MANHOLE COVER

应用 Applications

该人孔主要应用在食品，酿酒，饮料,制药等工业领域罐设备上。

The Man Hole Is Mainly Used For Tanks In The Fields Of Food, Beverage, Chemical, Etc.

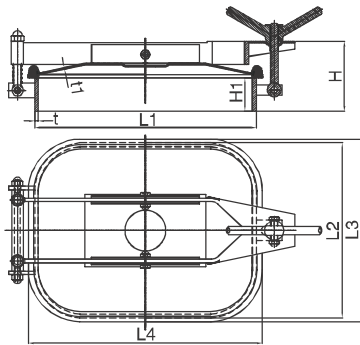


设计和特点

- 外开式人孔盖子
- 扳手式手柄，手轮式手柄
- 内表面：Ra≤0.8 μm-0.5 μm
- 外表面：抛光处理、亚光处理、喷砂处理
- 最大压力：1.0bar
- 垫圈：EPDM、NBR、SILICON、FPM 符合FDA177.2600
- 高度：65, 80, 100, 120, 150mm
- 材质：AISI304(1.4301)/316L(1.4404)

Design and features

- Outward opening man hole cover
- Spanner type handle, hand wheel handle
- Internal surface: Ra≤0.8 μm-0.5 μm
- Outside surface: polishing finished, sub-light finished, sand-blasting finished.
- Max. pressure: 1.0bar
- Gasket: EPDM,NBR,SILICON,FPM in accordance with FDA177.1600
- Height: 65,80,100,120,150mm
- Material: AISI304(1.4301)/316L(1.4404)



Part no: MCF05

规格	H1	L1	L2	T
235*185	65.0	235	185	8.0
425*335	65.0	425	335	8.0
535*435	65.0	535	435	8.0

高度 (H1) 可根据客户要求；壁厚可根据客户要求；
Height(H1) and the thickness can be changed according to request of customers.

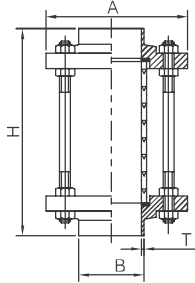


尺寸：235*185

直通视镜.TUBULAR SIGHT GLASS

Welded inline sight glass

Part no:SIG01

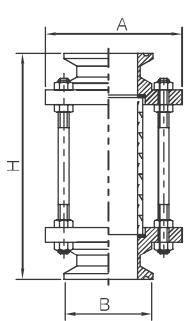


Size	A	B	H	T
DN20	78	22	140	1.50
DN25	78	28	140	1.50
DN32	78	34	140	1.50
DN40	90	40	140	1.50
DN50	102	52	144	1.50
DN65	124	70	152	2.00
DN80	139	85	154	2.00
DN100	155	104	158	2.00
DN125	185	129	170	2.00
DN150	215	154	180	2.00

Size	A	B	H	T
3/4"	78	19.05	140	1.65
1"	78	25.4	140	1.65
1 1/4"	86	31.8	140	1.65
1 1/2"	90	38.1	140	1.65
2"	102	50.8	142	1.65
2 1/2"	115	63.5	150	1.65
3"	128	76.2	152	1.65
4"	159	101.6	160	2.11
5"	185	133	170	2.50
6"	215	159	180	2.80

Tri-clamped inline sight glass

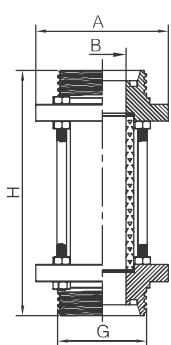
Part no:SIG02



Size	A	B	H
DN20	78	34	156
DN25	78	50.5	156
DN32	78	50.5	156
DN40	90	50.5	160
DN50	102	64	166
DN65	124	91	174
DN80	139	106	174
DN100	155	119	194
DN125	185	144.4	212
DN150	215	167	236

Size	A	B	H
3/4"	78	25	156
1"	78	51	156
1 1/4"	86	51	156
1 1/2"	90	51	160
2"	102	64	166
2 1/2"	115	78	170
3"	128	91	174
4"	159	119	194
5"	185	144	212
6"	215	167	236

Part no:SIG03



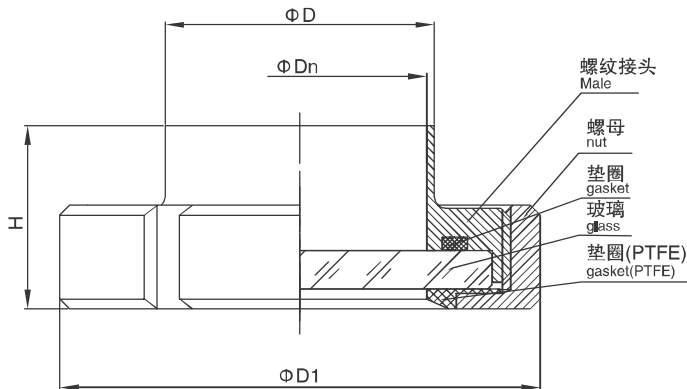
Threaded inline sight glass

Size	A	G	H
DN25	78	RD 52x1/6	160
DN32	78	RD 58x1/6	160
DN40	90	RD 65x1/6	160
DN50	102	RD 78x1/6	166
DN65	124	RD 95x1/6	174
DN80	139	RD 110x1/4	174
DN100	155	RD 130x1/4	194

Size	A	G	H
25.4	78	RD 40x1/6	160
31.8	86	RD 48x1/6	160
38.1	90	RD 60x1/6	160
50.8	102	RD 70x1/6	166
63.5	115	RD 85x1/6	170
76.2	128	RD 98x1/6	174
101.6	159	RD 125x1/4	194



由任视镜.UNION SIGHT GLASS

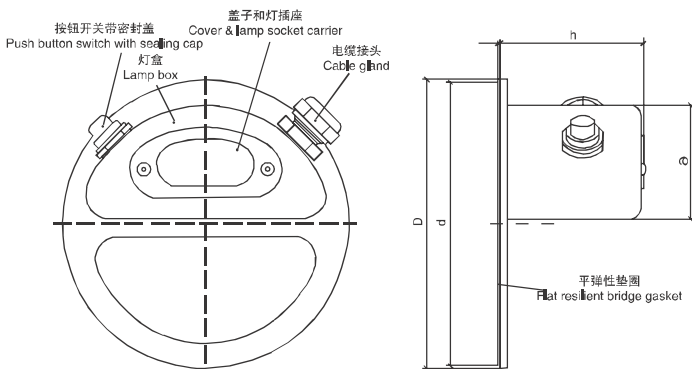


Part no:SIG04 由任视镜(DIN)
Union type Sight Glass(DIN)

Size	H	D1	D	Dn
DN25	26	63	28	25
DN32	28	70	34	31
DN40	28	78	40	37
DN50	30	92	52	49
DN65	31	110	70	66
DN80	33	125	85	81
DN100	37	146	104	100
DN125	38	178	129	125
DN150	45	210	154	150

由任视镜(Inch)
Union type Sight Glass(Inch)

Size	H	D1	D	Dn
1"	23	54	25.4	22.4
1 1/4"	27	70	31.8	28.8
1 1/2"	29	72	38.1	35.1
2"	29	92	50.8	47.8
2 1/2"	32	97	63.5	59.5
3"	31	111	76.2	72.2
3 1/2"	31	125	89.0	85.0
4"	35	138	101.6	97.6



DIN11851 union type sight glass with light
Part no:SIG05

Size	A	D5	D	Dn
DN80	90	125	87	81
DN100	100	146	106	100
DN125	90	178	132	125
DN150	96	210	157	150



Union type sight glass with LED light



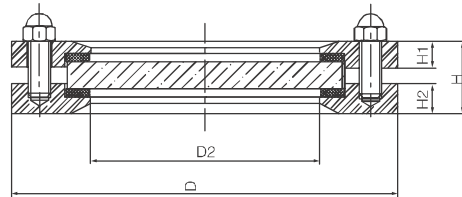
Flanged sight glass with wiper



Flange Sight Glass with torch



法兰试镜
Flanged sight glass

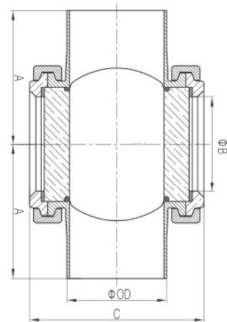


Part no:SIG06

Size	H	H1	H2	D	D2
DN40	25	14	8	115	68
DN50	29	16	10	140	78
DN65	29	16	10	155	98
DN80	29	16	10	155	98
DN100	30	16	11	190	128
DN125	33	18	12	224	154
DN150	41	20	18	250	183
DN200	45	22	20	310	233



球形四通试镜
Cross sight glass

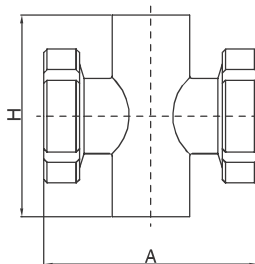


Part no:SIG07

Size	A	B	C	OD
DN40	65	38	80	40
DN50	75	50	97	52
DN65	90	66	116	70
DN80	105	81	132	85
DN100	120	100	149	104



4 way sight glass

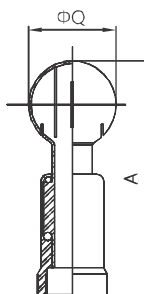


Part no:SIG08

Size	H	A
DN25	100	90
DN32	150	102
DN40	150	102
DN50	175	112
DN65	210	125
DN80	230	170
DN100	254	198

旋转式清洗球 Rotary Cleaning Ball

Part no:SPB01 螺纹式
Threaded

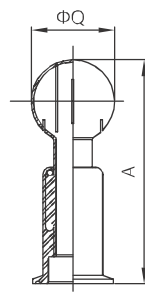


Size	A	Q
1"	140.0	53.0
1 1/4"	160.0	53.0
1 1/2"	170.0	63.0
2"	192.0	76.0
2 1/2"	220.0	91.0

技术参数Technical parameter

Size	Pressure (bar)	Cleaning radius (m)	Fluxation m ³ /h
1"~1.5"	2	1.25	12
2"	2	1.5	38
2.5"	2	2.0	38

Part no:SPB02 卡箍式
Clamped

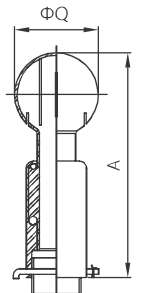


Size	A	Q
1"	138.0	53.0
1 1/4"	138.0	53.0
1 1/2"	138.0	53.0
2"	168.0	63.0
2 1/2"	190.0	76.0

技术参数Technical parameter

Size	Pressure (bar)	Cleaning radius (m)	Fluxation m ³ /h
1"~1.5"	2	1.25	12
2"	2	1.5	38
2.5"	2	2.0	38

Part no:SPB03 插销式
Bolted

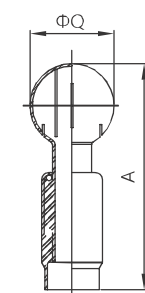


Size	A	Q
1"	135.0	53.0
1 1/4"	137.0	53.0
1 1/2"	137.0	53.0
2"	168.0	63.0
2 1/2"	190.0	76.0

技术参数Technical parameter

Size	Pressure (bar)	Cleaning radius (m)	Fluxation m ³ /h
1"~1.5"	2	1.25	12
2"	2	1.5	38
2.5"	2	2.0	38

Part no:SPB04 焊接式
Welded

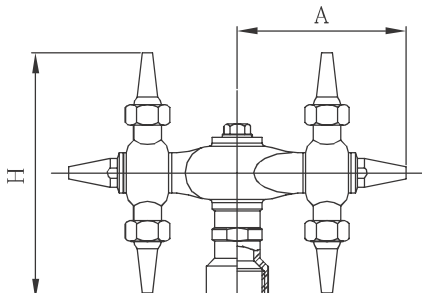


Size	A	Q
1"	143.0	53.0
1 1/4"	145.0	53.0
1 1/2"	145.0	53.0
2"	180.0	63.0
2 1/2"	200.0	76.0

技术参数Technical parameter

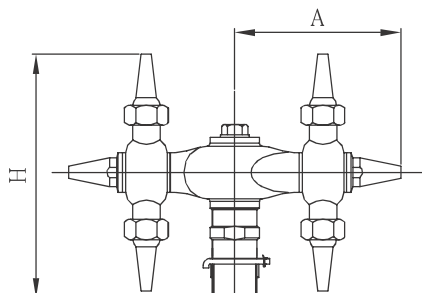
Size	Pressure (bar)	Cleaning radius (m)	Fluxation m ³ /h
1"~1.5"	2	1.25	12
2"	2	1.5	38
2.5"	2	2.0	38

Part no:SPB05 螺纹式
Threaded



Size	A	H	Pressure (bar)	Cleaning radius (m)	Fluxation m ³ /h
1"	118.0	165.0	1.5~2.0	2.0~3.0	23
1 1/4"~1 1/2"	142.0	189.0	1.8~2.5	2.5~3.0	38
2"	145.0	191.0	2.5~3.0	3.5~4.0	60

Part no:SPB06 插销式
Bolted

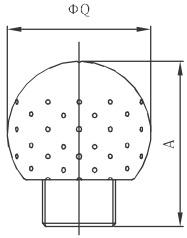


Size	A	H	Pressure (bar)	Cleaning radius (m)	Fluxation m ³ /h
1"	118.0	175.0	1.5~2.0	2.0~3.0	23
1 1/4"~1 1/2"	142.0	200.0	1.8~2.5	2.5~3.0	38
2"	145.0	205.0	2.5~3.0	3.5~4.0	60

清洗球.CLEANING BALL

固定式清洗球 Fixed Cleaning Ball

Part no:SPB07 螺纹式 Threaded

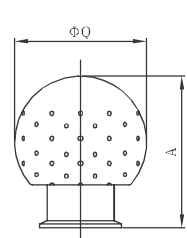


Size	A	Q
1"	72.0	63.0
1 1/4"	85.0	76.0
1 1/2"	87.0	76.0
2"	102.0	91.0

技术参数 Technical parameter

Size	Pressure (bar)	Cleaning radius (m)	360° /180° Fluxation m ³ /h
1"	2.5	1.0-1.25	17/10
1 1/4-1 1/2"	2.5	1.25-1.75	23/17
2"	3.5	2.0-3.0	55/38
2 1/2"	3.5	3.0-3.5	58/41

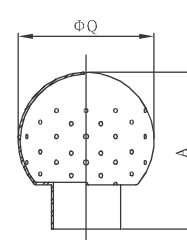
Part no:SPB08 卡箍式 Clamped



Size	A	Q
1"	80.0	63.0
1 1/4"	93.0	76.0
1 1/2"	93.0	76.0
2"	108.0	91.0
2 1/2"	115.0	100.0

Size	Pressure (bar)	Cleaning radius (m)	360° /180° Fluxation m ³ /h
1"	2.5	1.0-1.25	17/10
1 1/4-1 1/2"	2.5	1.25-1.75	23/17
2"	3.5	2.0-3.0	55/38
2 1/2"	3.5	3.0-3.5	58/41

Part no:SPB09 焊接式 Welded

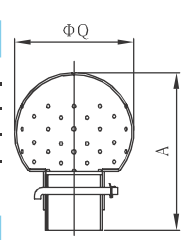


Size	A	Q
1"	72.0	53.0
1 1/2"	85.0	63.0
2"	87.0	91.0
2 1/2"	102.0	100.0

技术参数 Technical parameter

Size	Pressure (bar)	Cleaning radius (m)	360° /180° Fluxation m ³ /h
1"	2.5	1.0-1.25	17/10
1 1/2-1 1/2"	2.5	1.25-1.75	23/17
2"	3.5	2.0-3.0	55/38
2 1/2"	3.5	3.0-3.5	58/41

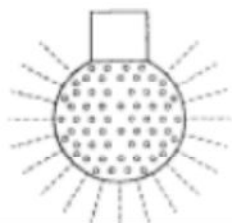
Part no:SPB10 插销式 Bolted



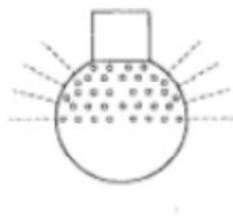
Size	A	Q
1"	95.0	63.0
1 1/2"	110.0	76.0
2"	125.0	91.0
2 1/2"	135.0	100.0

技术参数 Technical parameter

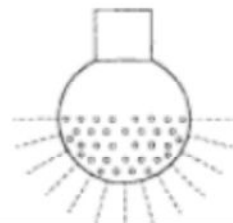
Size	Pressure (bar)	Cleaning radius (m)	360° /180° Fluxation m ³ /h
1"	2.5	1.0-1.25	17/10
1 1/2-1 1/2"	2.5	1.25-1.75	23/17
2"	3.5	2.0-3.0	55/38
2 1/2"	3.5	3.0-3.5	58/41



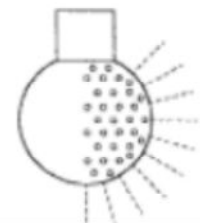
360°



180° upwards



180° downwards



90° downwards



过滤器.STRAINER/FILTER

工作原理

Operating Principles

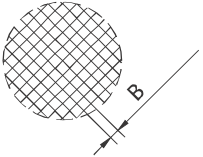
过滤器用于阻止被过滤介质中的固体颗粒进入后续管道的设备，介质从过滤器入口进入一定规格的滤芯后，其较大的固体颗粒或杂质留在滤芯内，过滤后的介质则由出口流出，达到使用要求。当过滤器前后压差超出要求或滤芯损坏时，只须将滤芯取出，清洗干净或更换滤芯，重新安装好便可使用。


Working Principle: filter is used to prevent the solid particles from media mixed into the follow-up pipeline facilities. The larger solid particles or impurities will remaining in it after the media is put into proper filter core, as it can reach the request. When surrounding pressure of the filter exceeds demand, or when the filter core is damaged, you can remove the filter, clean or change new filter core, and re-install it.

过滤器根据使用要求可选用不同的滤芯，其滤芯有三种类型（冲孔板网滤芯，金属丝网滤芯及楔形滤芯）其过滤能力如下：

filters can be matched by different cores according to usage requirements. There are three types of cores (metal mesh, perforated plate and wedge wire)

The filtering capabilities are as follows

金属丝网滤芯 screen mesh	目数 Mesh	B(mm)	有效面积 Effective area(%)
	30	0,55	48
	40	0,40	46
	60	0,30	52,6
	80	0,20	42
	100	0,15	36,2
	165	0,10	45,4

冲孔板网滤芯 Perforated Plate	A(mm) 孔径	有效面积 Effective area(%)
	0.5	15
	1	28
	1.5	33
	2	30
	3	33
	5	46



Angle-type Strainer



Y-Type pot Filter



Inline straight filter



Y-type Strainer

Features:

Filter housing:SS304 or SS316

Gasket:EPDM(Standard),Silicone,viton.FDA certified

Surface finish:Mirror polish or Bright finish

Connections:Welded,clamped,threaded.According to DIN,SMS,3A,ISO,RJT norms

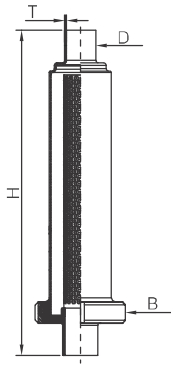
Working Temp:-10 °C-120 °C

Max working Pressure:10bar (145PSI)

过滤器.STRAINER/FILTER



焊接式直通过滤器

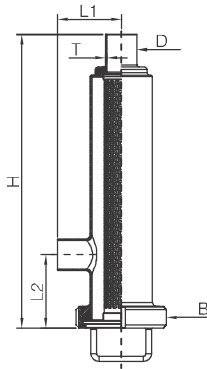


Welded Straight Strainer

Part no: F01

DIN	D×T	3A	D×T	SMS	D×T	ISO/IDF	D×T	Size	
								H	B
DN25	28×1.5	1"	25.4×1.65	25	25.4×1.5	φ25	25.1×1.5	325.0	111.0
DN32	34×1.5	1 1/4"	31.8×1.65	32	31.8×1.5	φ32	31.8×1.5	330.0	114.0
DN40	40×1.5	1 1/2"	38.1×1.65	38	38.1×1.5	φ38	38.1×1.5	330.0	114.0
DN50	52×1.5	2"	50.8×1.65	51	50.8×1.5	φ51	50.8×1.5	350.0	125.0
DN65	70×2	2 1/2"	63.5×1.65	63	63.5×2	φ63	63.5×2	405.0	138.0
DN80	85×2	3"	76.2×1.65	76	76.2×2	φ76	76.2×2	500.0	148.0
DN100	104×2	4"	101.6×2.1	102	101.6×2	φ102	101.6×2	600.0	178.0

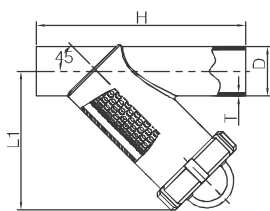
焊接角式过滤器



Welded angle-type Strainer

Part no: F02

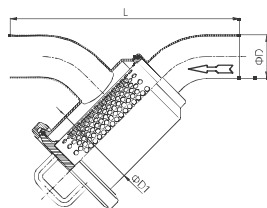
DIN	D×T	3A	D×T	SMS	D×T	ISO/IDF	D×T	Size			
								H	B	L1	L2
DN25	28×1.5	1"	25.4×1.65	25	25.4×1.5	φ25	25.4×1.5	325.0	114.0	76.0	95.0
DN32	34×1.5	1 1/4"	31.8×1.65	32	31.8×1.5	φ32	31.8×1.5	330.0	114.0	76.0	95.0
DN40	40×1.5	1 1/2"	38.1×1.65	38	38.1×1.5	φ38	38.1×1.5	330.0	114.0	76.0	95.0
DN50	52×1.5	2"	50.8×1.65	51	50.8×1.5	φ51	50.8×1.5	350.0	125.0	89.0	110.0
DN65	70×2	2 1/2"	63.5×1.65	63	63.5×2	φ63	63.5×2	405.0	138.0	102.0	125.0
DN80	85×2	3"	76.2×1.65	76	76.2×2	φ76	76.2×2	500.0	148.0	114.0	145.0
DN100	104×2	4"	101.6×2.1	102	101.6×2	φ102	101.6×2	600.0	178.0	110.0	165.0



Part no: F03

Welded Y-type Strainer

DIN	D×T	3A	D×T	SMS	D×T	ISO/IDF	D×T	Size	
								H	L1
DN25	28×1.5	1"	25.4×1.65	25	25.4×1.5	φ25	25.4×1.5	120.0	115.0
DN32	34×1.5	1 1/4"	31.8×1.65	32	31.8×1.5	φ32	31.8×1.5	150.0	140.0
DN40	40×1.5	1 1/2"	38.1×1.65	38	38.1×1.5	φ38	38.1×1.5	170.0	160.0
DN50	52×1.5	2"	50.8×1.65	51	50.8×1.5	φ51	50.8×1.5	190.0	182.0
DN65	70×2	2 1/2"	63.5×1.65	63	63.5×2	φ63	63.5×2	235.0	245.0
DN80	85×2	3"	76.2×1.65	76	76.2×2	φ76	76.2×2	280.0	285.0
DN100	104×2	4"	101.6×2.1	102	101.6×2	φ102	101.6×2	345.0	345.0



Part no: F04

微孔过滤器.Cartridge Micro-Filter Housing

Features:

Cartridge filter housing is available in 1,3,5 and 7 round configurations and in 10", 20",30" and 40"length cartridge.

Max Operating Pressure: 145 PSI(10 bar) Max Temp:225° F (107° C)

Connections Inlet/Outlet: Tri-clamp.

Drain Ports: 1/2" tri-clamp

Gauge Port with Vent: 1-1/2" tri-clamp with 1/2" tri-clamp

Gaskets: Silicone (standard) EPDM

Cartridge Type 222 or 226 cartridges (maximum 2-3/4" OD)

Optional:Sanitary twist valve for vent and drains

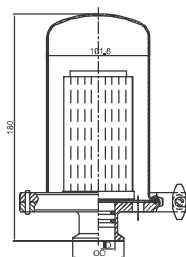
Cartridge material:

Polypropylene(PP) :0.1μm-0.45μm

Polyethersulfone(PES):0.1μm-0.2μm

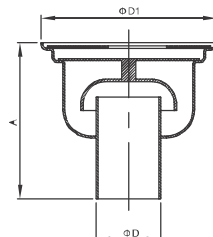
Housing:SS304 or SS316

Finish:High quality mirror polish RaRa≤0.6μm



Rebreather

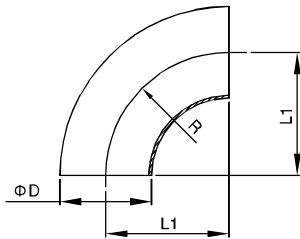
Size	ID	OD
1"	22	50.5
1 1/4"	29	50.5
1.5"	35	50.5
2"	48	64



Floor Drainer

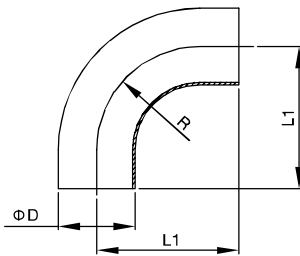
Size	A	D	D1
1"	80	25	130
1.5"	80	38	130
2"	100	51	195
2.5"	100	63	195
3"	130	76	230
4"	130	100	230

DIN Welded short type elbow 90° Part no: DINWF01



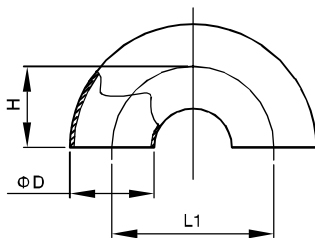
Size	L1	D	R
DN10	26.0	12.0	26.0
DN15	35.0	18.0	35.0
DN20	40.0	22.0	40.0
DN25	50.0	28.0	50.0
DN32	55.0	31.0	55.0
DN40	60.0	40.0	60.0
DN50	70.0	52.0	70.0
DN65	80.0	70.0	80.0
DN80	90.0	85.0	90.0
DN100	100.0	104.0	100.0
DN125	187.0	129.0	187.0
DN150	225.0	154.0	225.0
DN200	300	204	300
DN250	375	254	375
DN300	450	306	450

DIN Welded long type elbow 90° Part no: DINWF02



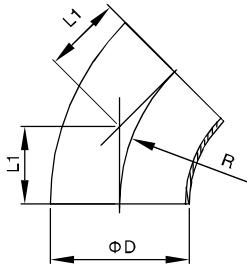
Size	L1	D	R
DN10	38.0	12.0	26.0
DN15	47.0	18.0	35.0
DN20	52.0	22.0	40.0
DN25	70.0	28.0	50.0
DN32	78.0	34.0	55.0
DN40	85.0	40.0	60.0
DN50	97.0	52.0	70.0
DN65	110.0	70.0	80.0
DN80	118.0	85.0	90.0
DN100	140.0	104.0	100.0

DIN U bend 180° Part no: DINWF03



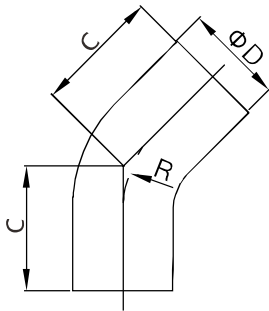
Size	L1	D	H
DN10	52.0	12.0	26.0
DN15	70.0	18.0	35.0
DN20	80.0	22.0	40.0
DN25	100.0	28.0	50.0
DN32	110.0	34.0	55.0
DN40	120.0	40.0	60.0
DN50	140.0	52.0	70.0
DN65	160.0	70.0	80.0
DN80	180.0	85.0	90.0
DN100	200.0	104.0	100.0
DN125	375.0	129.0	187.5
DN150	450.0	154.0	225.0

DIN Welded short type elbow 45°
Part no: DINWF04



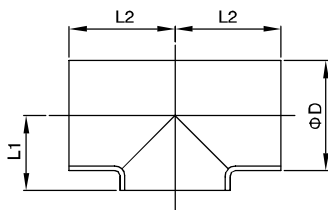
Size	L1	D	R
DN10	10.7	12.0	26.0
DN15	14.5	18.0	35.0
DN20	16.5	22.0	40.0
DN25	20.7	28.0	50.0
DN32	22.8	34.0	55.0
DN40	24.8	40.0	60.0
DN50	29.0	52.0	70.0
DN65	33.2	70.0	80.0
DN80	37.3	85.0	90.0
DN100	41.5	104.0	100.0
DN125	77.5	129.0	187.0
DN150	93.2	154.0	225.0

DIN Welded elbow 45° with straight end
Part no: DINWF05

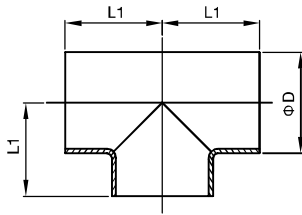


SIZE	D	C	R	T
DN25	28	20	50	1.5
DN32	34	23	55	1.5
DN40	40	20	60	1.5
DN50	52	27	70	1.5
DN65	70	30	80	2.0
DN80	85	33	90	2.0
DN100	104	40	100	2.0

DIN Welded short tee
Part no: DINWF06

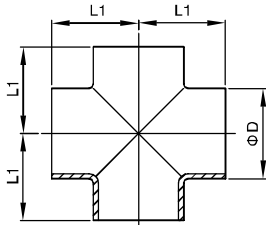


Size	L1	L2	D
DN10	7.5	26.0	12.0
DN15	10.5	35.0	18.0
DN20	12.5	40.0	22.0
DN25	16.0	50.0	28.0
DN32	19.5	55.0	34.0
DN40	22.5	60.0	40.0
DN50	30.0	70.0	52.0
DN65	39.5	80.0	70.0
DN80	47.5	90.0	85.0
DN100	58.0	100.0	104.0
DN125	70.5	187.0	129.0
DN150	83.0	225.0	154.0



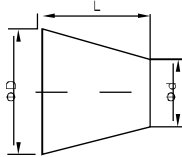
DIN Welded long equal tee
 Part no: DINWF07

Size	L1	D
DN10	26.0	12.0
DN15	35.0	18.0
DN20	40.0	22.0
DN25	50.0	28.0
DN32	55.0	34.0
DN40	60.0	40.0
DN50	70.0	52.0
DN65	80.0	70.0
DN80	90.0	85.0
DN100	100.0	104.0
DN125	187.0	129.0
DN150	225.0	154.0

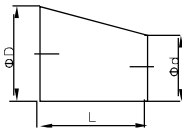


DIN Cross
 Part no: DINWF08

Size	L1	D
DN25	50.0	28.0
DN32	55.0	34.0
DN40	60.0	40.0
DN50	70.0	52.0
DN65	80.0	70.0
DN80	90.0	85.0
DN100	100.0	104.0



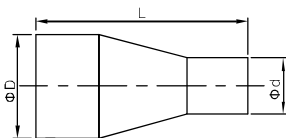
Part no: DINWF09



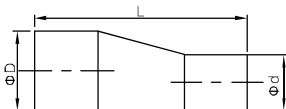
Part no: DINWF10

DIN Welded short type reducer

Size	D	d	L	Size	D	d	L
DN15-DN10	18	12	11	DN65-DN32	70	34	62
DN20-DN10	22	12	18	DN65-DN40	70	40	51
DN20-DN15	22	18	7	DN65-DN50	70	52	29
DN25-DN15	28	18	18	DN80-DN40	85	40	78
DN25-DN20	28	22	11	DN80-DN50	85	52	56
DN32-DN20	34	22	22	DN80-DN65	85	70	27
DN32-DN25	34	28	11	DN100-DN50	104	52	90
DN40-DN20	40	22	33	DN100-DN65	104	70	61
DN40-DN25	40	28	22	DN100-DN80	104	85	34
DN40-DN32	40	34	11	DN125-DN80	129	85	80
DN50-DN25	52	28	44	DN125-DN100	129	104	45
DN50-DN32	52	34	33	DN150-DN100	154	104	90
DN50-DN40	52	40	22	DN150-DN125	154	129	45
DN65-DN25	70	28	73	DN200-DN150	204	154	90



Part no: DINWF11



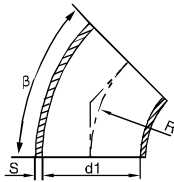
Part no: DINWF12

DIN Long type Welded Reducer with straight end

Size	D	d	L	Size	D	d	L
DN25-DN15	22	18	60	DN65-DN40	70	40	120
DN25-DN20	28	22	60	DN65-DN50	70	52	130
DN32-DN20	34	22	80	DN80-DN40	85	40	140
DN32-DN25	34	28	80	DN80-DN50	85	52	125
DN40-DN20	40	22	102	DN80-DN65	85	70	120
DN40-DN25	40	28	102	DN100-DN50	104	52	160
DN40-DN32	40	34	88	DN100-DN65	104	70	127
DN50-DN25	52	28	115	DN100-DN80	104	85	120
DN50-DN32	52	34	129	DN125-DN80	129	85	150
DN50-DN40	52	40	113	DN125-DN100	129	104	150
DN65-DN25	70	28	125	DN150-DN100	154	104	170
DN65-DN32	70	34	125	DN150-DN125	154	129	170

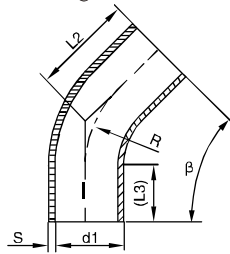
DIN11852 TUBE FITTINGS

Short elbow 45°



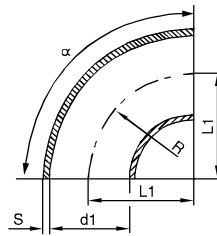
DINWF13

Long elbow 45°



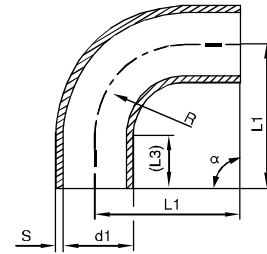
DINWF14

Short elbow 90°



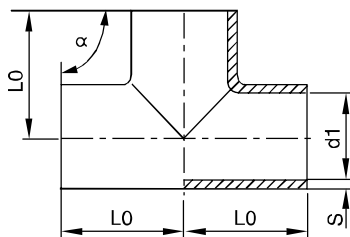
DINWF15

Long elbow 90°



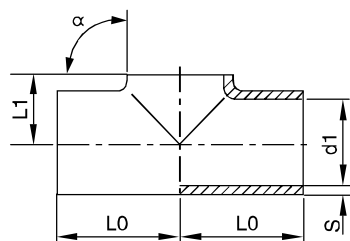
DINWF16

Size	OD*t	d1	S	R	L0	L1	L2	L3	L4
10	13×1.5	10	1.5	26	26	51	35.8	25	52
15	19×1.5	16	1.5	35	35	60	39.5	25	70
20	23×1.5	20	1.5	40	40	65	41.6	25	80
25	29×1.5	26	1.5	50	50	90	60.7	40	100
32	35×1.5	32	1.5	55	55	95	62.8	40	110
40	41×1.5	38	1.5	60	60	100	64.9	40	120
50	53×1.5	50	1.5	70	70	110	69	40	140
65	70×2.0	66	2.0	80	80	120	73.1	40	160
80	85×2.0	81	2.0	90	90	145	92.3	55	180
100	104×2.0	100	2.0	100	100	155	96.4	55	200
125	129×2.0	125	2.0	187.5	187.5	245	135.2	57.5	375
150	154×2.0	150	2.0	225	225	-	-	-	-
200	204×2.0	200	2.0	300	300	-	-	-	-



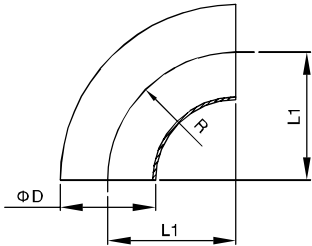
Long Equal tee DINWF17

Size	OD*t	d1	S	L0	L1
10	13×1.5	10	1.5	35	-
15	19×1.5	16	1.5	35	11.0±0.5
20	23×1.5	20	1.5	40	13.0±0.5
25	29×1.5	26	1.5	50	16.0±0.75
32	35×1.5	32	1.5	55	19.5±0.75
40	41×1.5	38	1.5	60	23.0±1
50	53×1.5	50	1.5	70	30.0±1
65	70×2.0	66	2.0	80	40.0±1.5
80	85×2.0	81	2.0	90	47.5±1.5
100	104×2.0	100	2.0	100	58.0±1.5
125	129×2.0	125	2.0	187.5	74.0±3
150	154×2.0	150	2.0	225	90.0±3
200	204×2.0	200	2.0	300	115.0±3.75



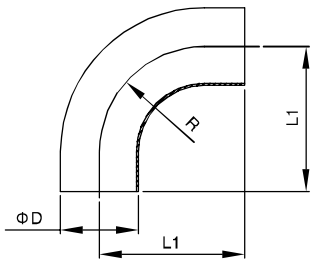
Short type tee DINWF18

SMS Welded short type elbow 90°
Part no:SMSWF01



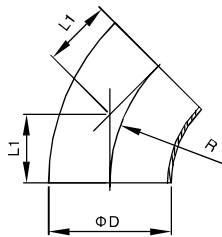
Size	L1	D	R
25	38.1	25.4	38.1
32	47.7	31.8	47.7
38	57.1	38.1	57.1
51	76.2	50.8	76.2
63	95.2	63.5	95.2
76	114.3	76.2	114.3
102	152.4	101.6	152.4

SMS Welded long type elbow 90° with straight end
Part no:SMSWF02



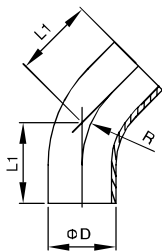
Size	L1	D	R
25	55	25.4	25.4
38	70	38.1	38.1
51	82	50.8	50.8
63	105	63.5	63.5
76	110	76.2	76.2
102	150	101.6	101.6

SMS Welded short type elbow 45° without straight end
Part no:SMSWF03

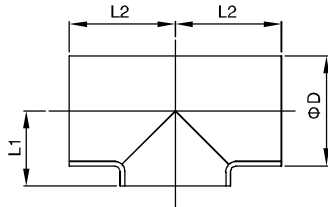


Size	L1	D	R
25	15.5	25.4	38.1
38	23.6	38.1	57.2
51	31.6	50.8	76.2
63	39.5	63.5	95.3
76	47.2	76.2	114.3
102	63.0	101.6	152.4

SMS Welded long type elbow 45° with straight end
Part no:SMSWF04



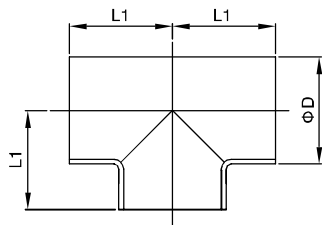
Size	L1	D	R
25	45	25.4	25.4
38	56.7	38.1	38.1
51	63.3	50.8	50.8
63	80.8	63.5	63.5
76	82	76.2	76.2
102	108.9	101.6	101.6



SMS Welded short tee

Part no:SMSWF05

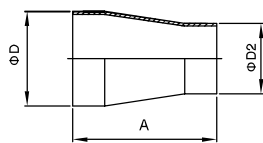
Size	L1	L2	D
25	15.0	55.0	25.4
38	21.5	70.0	38.1
51	29.0	82.0	50.8
63	36.0	105.0	63.5
76	43.0	110.0	76.2
102	57.0	150.0	101.6



SMS Welded long equal tee

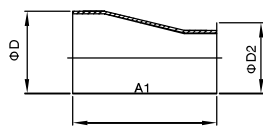
Part no:SMSWF06

Size	L1	D
25	55.0	25.4
38	70.0	38.1
51	82.0	50.8
63	105.0	63.5
76	110.0	76.2
102	150.0	101.6



Concentric

Part no:SMSWF07

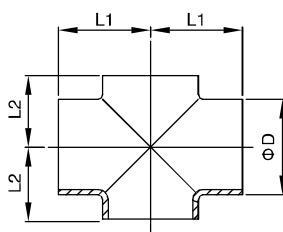


Eccentric

Part no:SMSWF08

SMS Welded Reducer

Size	A	A1	D	D2
1.5" / 1.0"	39.0	46.0	38.1	25.4
2.0" / 1.0"	57.0	68.0	50.8	25.4
2.0" / 1.5"	39.0	47.0	50.8	38.1
2.5" / 1.0"	74	92	63.5	25.4
2.5" / 1.5"	57.0	70.0	63.5	38.1
2.5" / 2.0"	39.0	44.0	63.5	50.8
3.0" / 1.0"	92	117	76.2	25.4
3.0" / 1.5"	74.0	92.0	76.2	38.1
3.0" / 2.0"	57.0	68.0	76.2	50.8
3.0" / 2.5"	39.0	47.0	76.2	63.5
4.0" / 2.0"	95.0	117.0	101.6	50.8
4.0" / 2.5"	78.0	94.0	101.6	63.5
4.0" / 3.0"	60.0	74.0	101.6	76.2

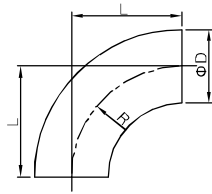


SMS welded cross

Part no:SMSWF09

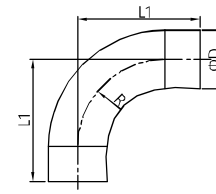
Size	L1	L2	D
25	55.0	15.0	25.4
38	70.0	21.5	38.1
51	82.0	29.0	50.8
63.5	105.0	36.0	63.5
76.2	110.0	43.0	76.2
102	150.0	57.0	101.6

3A 焊接管件 .3A WELDED FITTING

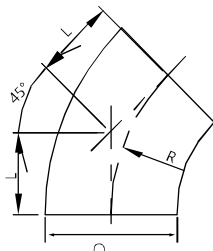


2WCL 90° short type elbow
Part no:3AWF01

Size	D	L	L1	R
1/2"	12.7	19.1	38	19.1
3/4"	19.1	28.5	38	28.5
1"	25.4	38.1	52.4	38.1
1 1/4"	31.8	47.7	69.7	47.7
1 1/2"	38.1	57.2	74.6	57.2
2"	50.8	76.2	103.2	76.2
2 1/2"	63.5	95.3	131.8	95.3
3"	76.2	114.3	160.3	114.3
4"	101.6	152.4	211.1	152.4
6"	152.4	228.6	280	228.6

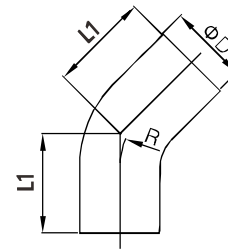


L2S 90° long type Bend
Part no:3AWF02

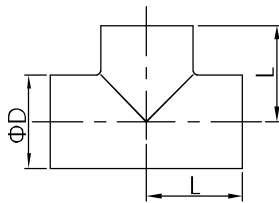


2WK 45° short type elbow
Part no:3AWF03

Size	D	L	L1	R
1/2"	12.7	7.9	19.3	19.1
3/4"	19.1	11.8	19.3	28.5
1"	25.4	15.8	30.1	38.1
1 1/4"	31.8	19.8	41.3	47.7
1 1/2"	38.1	23.8	41.3	57.2
2"	50.8	31.8	58.8	76.2
2 1/2"	63.5	39.7	76.2	95.3
3"	76.2	47.6	93.7	114.3
4"	101.6	63.5	122.2	152.4
6"	152.4	94.7	158.8	228.6

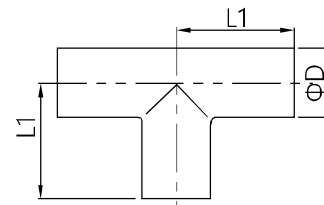


L2KS 45° bend with tangent
Part no:3AWF04

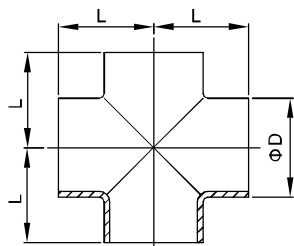


7WWW Short Equal Tee, no tangent
Part no:3AWF05

Size	D	L	L1
1/2"	12.7	38	38
3/4"	19.1	38	38
1"	25.4	28.5	47.6
1 1/4"	31.8	35	55
1 1/2"	38.1	42	57.2
2"	50.8	52.3	76.2
2 1/2"	63.5	59.5	76.2
3"	76.2	65.9	82.6
4"	101.6	87.4	98.4
6"	152.4	127	127

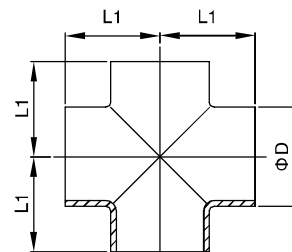


7W Long Equal Tee, with tangent
Part no:3AWF06



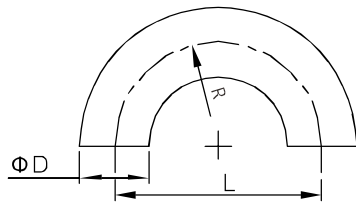
9WWW Short equal cross
Part no:3AWF07

Size	D	L	L1
1"	25.4	28.5	47.6
1 1/2"	38.1	42	57.2
2"	50.8	52.3	76.2
2 1/2"	63.5	59.5	76.2
3"	76.2	65.9	82.6
4"	101.6	87.4	98.4



9WL Long equal cross
Part no:3AWF08

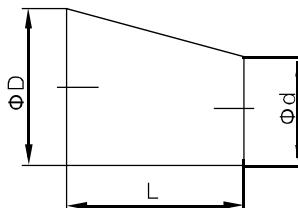
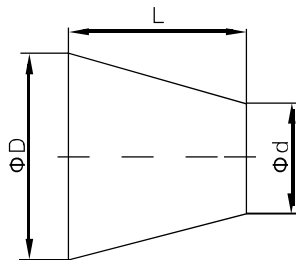
3A焊接管件.3A WELDED FITTING



2WU 180° Return Bend
Part no:3AWF09

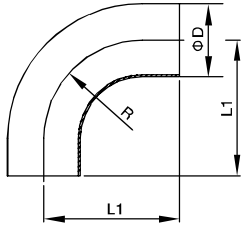
Size	D	L	R
1"	25.4	76.2	38.1
1 1/2"	38.1	114.3	57.2
2"	50.8	152.4	76.2
2 1/2"	63.5	190.5	95.3
3"	76.2	228.6	114.3
4"	101.6	304.8	152.4

31W Concentric Reducer
Part no:3AWF10



32W Eccentric Reducer
Part no:3AWF11

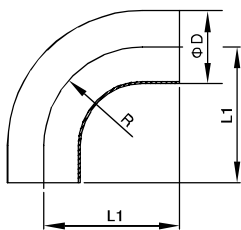
Size	D	d	L
3/4"-1/2"	19.1	12.7	25.4
1"-1/2"	25.4	12.7	38.1
1"-3/4"	25.4	19.1	25.4
1 1/2"-1/2"	38.1	12.7	63.5
1 1/2"-3/4"	38.1	19.1	50.8
1 1/2"-1"	38.1	25.4	50.8
2"-1/2"	50.8	12.7	114.3
2"-3/4"	50.8	19.1	101.6
2"-1"	50.8	25.4	101.6
2"-1 1/2"	50.8	38.1	50.8
2 1/2"-1/2"	63.5	12.7	165
2 1/2"-3/4"	63.5	19.1	152.4
2 1/2"-1	63.5	25.4	152.4
1/2"	63.5	38.1	101.6
2 1/2"-2"	63.5	50.8	50.8
3"-1"	76.2	25.4	203.2
3"-1 1/2"	76.2	38.1	152.4
3"-2"	76.2	50.8	101.6
3"-2 1/2"	76.2	63.5	50.8
4"-1"	101.6	25.4	304.9
4"-1 1/2"	101.6	38.1	254
4"-2"	101.6	50.8	203.2
4"-2 1/2"	101.6	63.5	152.4
4"-3"	101.6	76.2	101.6
6"-3"	152.4	76.2	155.7
6"-4"	152.4	101.6	155.7



90° Welded Elbow

Part no:BSWF01

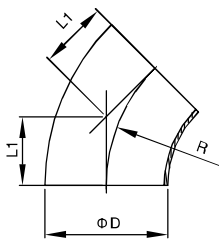
Size	L1	R	D
1"	43.5	38.1	25.4
1 1/2"	63.5	57.2	38.1
2"	88.5	76.2	50.8
2 1/2"	113.5	95.3	63.5
3"	133.5	114.3	76.2
4"	173.5	152.4	101.6



90° Welded Elbow with straight ends

Part no:BSWF02

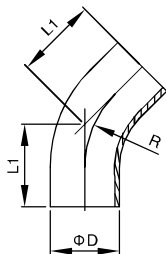
Size	L1	R	D
1"	65.0	38.1	25.4
1 1/2"	85.0	57.2	38.1
2"	110.0	76.2	50.8
2 1/2"	135.0	95.3	63.5
3"	155.0	114.3	76.2
4"	195.0	152.4	101.6



45° Short welded Elbow

Part no:BSWF03

Size	L1	D	R
1"	15.8	25.4	38.1
1 1/2"	23.7	38.1	57.2
2"	31.8	50.8	76.2
2 1/2"	39.6	63.5	95.3
3"	47.5	76.2	114.3
4"	63.2	101.6	152.4

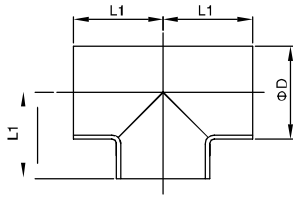


45° Long welded Elbow

Part no:BSWF04

Size	L1	D	R
1"	30.2	25.4	38.1
1 1/2"	41.3	38.1	57.2
2"	58.7	50.8	76.2
2 1/2"	76.2	63.5	95.3
3"	93.7	76.2	114.3
4"	122.2	101.6	152.4

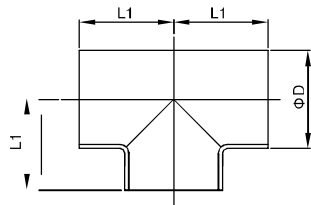
BS4825 焊接管件.BS4825 WELDED FITTING



Short welded Tee

Part no:BSWF05

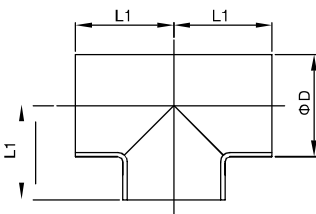
Size	L1	D
1"	43.5	25.4
1 1/2"	63.5	38.1
2"	88.5	50.8
2 1/2"	113.5	63.5
3"	133.5	76.2
4"	173.5	101.6



Long welded Tee

Part no:BSWF06

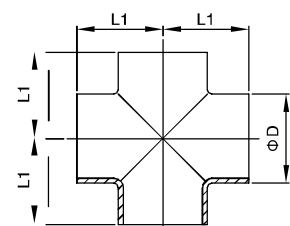
Size	L1	D
1"	65.0	25.4
1 1/2"	85.0	38.1
2"	110.0	50.8
2 1/2"	135.0	63.5
3"	155.0	76.2
4"	195.0	101.6



Long welded Tee

Part no:BSWF07

Size	L1	D
1/2"	47.6	12.7
3/4"	50.8	19.05
1"	54.0	25.4
1 1/2"	60.3	38.1
2"	73.0	50.8
2 1/2"	79.4	63.5
3"	85.7	76.2
4"	104.8	101.6



Welded Cross

Part no:BSWF08

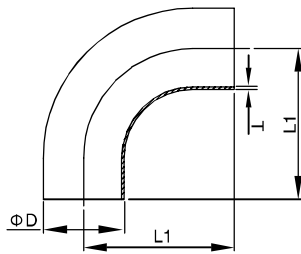
Size	L1	D
1"	65.0	25.4
1 1/2"	85.0	38.1
2"	110.0	50.8
2 1/2"	135.0	63.5
3"	155.0	76.2
4"	195.0	101.6

AS1528焊接管件.AS1528 WELDED FITTING



90° Long welded Elbow with straight ends

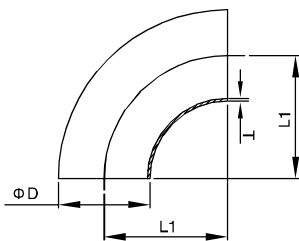
Part no:ASWF01



Size	L1	D	T
1/2"	49.1	12.7	1.6
3/4"	58.6	19.1	1.6
1"	68.1	25.4	1.6
1 1/4"	77.7	31.8	1.6
1 1/2"	87.0	38.1	1.6
2"	106.2	50.8	1.6
2 1/2"	125.0	63.5	1.6
3"	144.2	76.2	1.6
4"	182.4	101.6	2.0

90° Welded Elbow

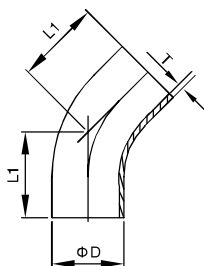
Part no:ASWF02



Size	L1	D	T
1/2"	19.1	12.7	1.6
3/4"	28.6	19.1	1.6
1"	38.1	25.4	1.6
1 1/4"	47.7	31.8	1.6
1 1/2"	57.0	38.1	1.6
2"	76.2	50.8	1.6
2 1/2"	95.0	63.5	1.6
3"	114.2	76.2	1.6
4"	152.4	101.6	2.0

45° Long welded Elbow

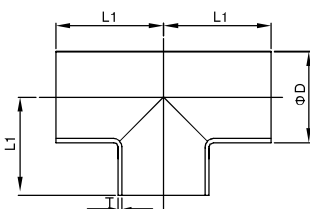
Part no:ASWF03



Size	L1	D	T
1/2"	37.9	12.7	1.6
3/4"	41.8	19.1	1.6
1"	45.8	25.4	1.6
1 1/4"	49.7	31.8	1.6
1 1/2"	53.7	38.1	1.6
2"	61.6	50.8	1.6
2 1/2"	69.5	63.5	1.6
3"	77.3	76.2	1.6
4"	92.8	101.6	2.0

Long welded Tee

Part no:ASWF04



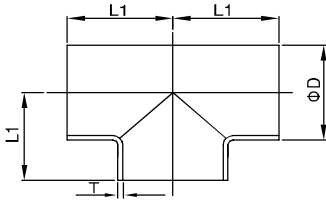
Size	L1	D	T
1/2"	49.1	12.7	1.6
3/4"	58.6	19.1	1.6
1"	68.1	25.4	1.6
1 1/4"	77.7	31.8	1.6
1 1/2"	87.0	38.1	1.6
2"	106.2	50.8	1.6
2 1/2"	125.0	63.5	1.6
3"	144.2	76.2	1.6
4"	182.4	101.6	2.0

AS1528焊接管件.AS1528 WELDED FITTING



Equal welded Tee

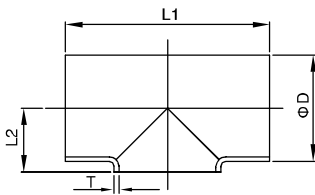
Part no:ASWF05



Size	L1	D	T
1/2"	19.1	12.7	1.6
3/4"	28.6	19.1	1.6
1"	38.1	25.4	1.6
1 1/4"	47.7	31.8	1.6
1 1/2"	57.0	38.1	1.6
2"	76.2	50.8	1.6
2 1/2"	95.0	63.5	1.6
3"	114.2	76.2	1.6
4"	152.4	101.6	2.0

Short welded Tee

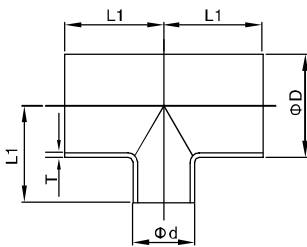
Part no:ASWF06



Size	L1	L2	D	T
1/2"	38.2	9.35	12.7	1.6
3/4"	57.2	12.55	19.1	1.6
1"	76.2	15.7	25.4	1.6
1 1/4"	95.4	18.9	31.8	1.6
1 1/2"	114.0	22.05	38.1	1.6
2"	152.4	28.4	50.8	1.6
2 1/2"	190.0	34.75	63.5	1.6
3"	228.4	41.1	76.2	1.6
4"	304.8	53.8	101.6	2.0

Reducing welded Tee

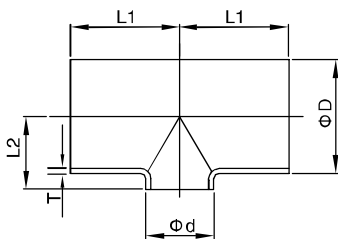
Part no:ASWF07



Size	L1	D	d	T
1 1/2" x 1"	80	38.1	25.4	1.6
2" x 1"	80	50.8	25.4	1.6
2" x 1 1/2"	80	50.8	38.1	1.6
2 1/2" x 1 1/2"	80	63.5	38.1	1.6
2 1/2" x 2"	80	63.5	50.8	1.6
3" x 1 1/2"	80	76.2	38.1	1.6
3" x 2"	80	76.2	50.8	1.6
3" x 2 1/2"	80	76.2	63.5	1.6
4" x 2"	80	101.6	50.8	1.6
4" x 2 1/2"	80	101.6	63.5	1.6
4" x 3"	80	101.6	76.2	2.0

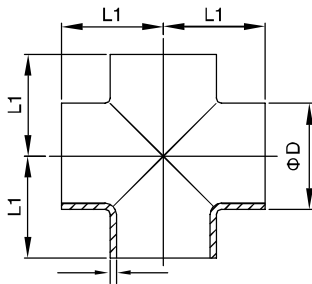
Short reducing welded Tee

Part no:ASWF08



Size	L1	L2	D	d	T
1 1/2" x 1"	80	22.05	38.1	25.4	1.6
2" x 1"	80	28.4	50.8	25.4	1.6
2" x 1 1/2"	80	28.4	50.8	38.1	1.6
2 1/2" x 1 1/2"	80	34.75	63.5	38.1	1.6
2 1/2" x 2"	80	34.75	63.5	50.8	1.6
3" x 1 1/2"	80	41.1	76.2	38.1	1.6
3" x 2"	80	41.1	76.2	50.8	1.6
3" x 2 1/2"	80	41.1	76.2	63.5	1.6
4" x 2"	80	53.8	101.6	50.8	1.6
4" x 2 1/2"	80	53.8	101.6	63.5	1.6
4" x 3"	80	53.8	101.6	76.2	2.0

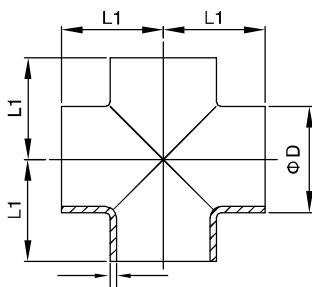
AS1528焊接管件.AS1528 WELDED FITTING



Long welded Cross

Part no:ASWF09

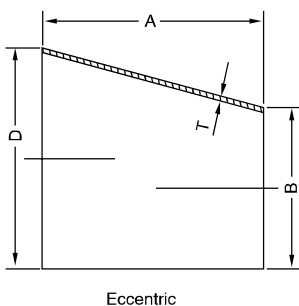
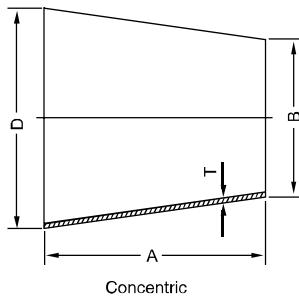
Size	L1	D	T
1/2"	49.1	12.7	1.6
3/4"	58.6	19.1	1.6
1"	68.1	25.4	1.6
1 1/4"	77.7	31.8	1.6
1 1/2"	87.0	38.1	1.6
2"	106.2	50.8	1.6
2 1/2"	125.0	63.5	1.6
3"	144.2	76.2	1.6
4"	182.4	101.6	2.0



Short welded Cross

Part no:ASWF10

Size	L1	D	T
1/2"	19.1	12.7	1.6
3/4"	28.6	19.1	1.6
1"	38.1	25.4	1.6
1 1/4"	47.7	31.8	1.6
1 1/2"	57.0	38.1	1.6
2"	76.2	50.8	1.6
2 1/2"	95.0	63.5	1.6
3"	114.2	76.2	1.6
4"	152.4	101.6	2.0



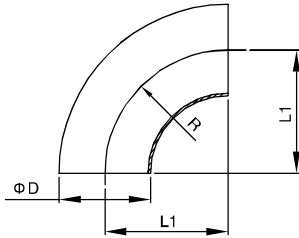
Welded Reducer

Part no:ASWF11

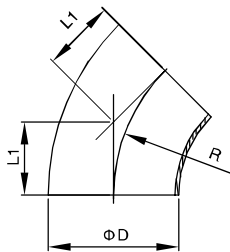
Size	A	B	D	T
3/4"x 1/2"	19.1	12.7	19.1	1.6
1"x 1/2"	25.4	12.7	25.4	1.6
1"x 3/4"	25.4	19.1	25.4	1.6
1 1/4"x 3/4"	31.8	19.1	31.8	1.6
1 1/4"x 1"	31.8	25.4	31.8	1.6
1 1/2"x 3/4"	38.1	19.1	38.1	1.6
1 1/2"x 1"	38.1	25.4	38.1	1.6
2"x 1/2"	50.8	12.7	50.8	1.6
2"x 3/4"	50.8	19.1	50.8	1.6
2"x 1"	50.8	25.4	50.8	1.6
2"x 1 1/4"	50.8	31.8	50.8	1.6
2 1/2"x 1"	63.5	25.4	63.5	1.6
2 1/2"x 1 1/4"	63.5	31.8	63.5	1.6
2 1/2"x 1 1/2"	63.5	38.1	63.5	1.6
2 1/2"x 2"	63.5	50.8	63.5	1.6
3"x 1"	76.2	25.4	76.2	1.6
3"x 1 1/4"	76.2	31.8	76.2	1.6
3"x 1 1/2"	76.2	38.1	76.2	1.6
3"x 2"	76.2	50.8	76.2	1.6
3"x 2 1/2"	76.2	63.5	76.2	1.6
4"x 1"	101.6	25.4	101.6	2.0
4"x 1 1/4"	101.6	31.8	101.6	2.0
4"x 1 1/2"	101.6	38.1	101.6	2.0
4"x 2"	101.6	50.8	101.6	2.0
4"x 2 1/2"	101.6	63.5	101.6	2.0
4"x 3"	101.6	76.2	101.6	2.0

90° Welded Elbow

Part no:ISOWF01



Size	L1	D	R
1"	33.5	25.4	33.5
1 1/4"	38.0	32.0	38.0
1 1/2"	48.5	38.1	48.5
2"	60.5	50.8	60.5
2 1/2"	83.5	63.5	83.5
3"	88.5	76.2	88.5
3 1/2"	103.5	89.0	103.5
4"	127	101.6	127
4 1/2"	152.4	114.3	152.4
5"	190.5	133.0	190.5
6"	228.6	159.0	228.6



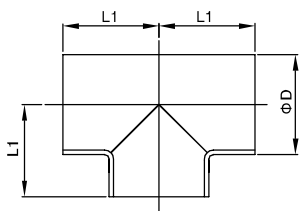
45° Welded Elbow

Part no:ISOWF02

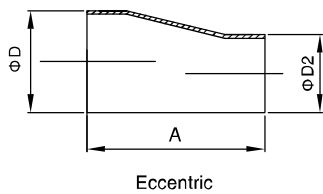
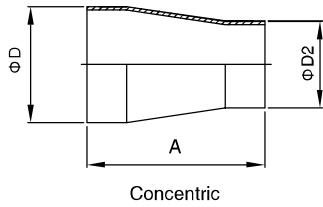
Size	L1	D	R
1"	13.9	25.4	33.5
1 1/4"	15.7	32.0	38.0
1 1/2"	20.1	38.1	48.5
2"	25.1	50.8	60.5
2 1/2"	34.6	63.5	83.5
3"	36.7	76.2	88.5
3 1/2"	42.9	89.0	103.5
4"	52.6	101.6	119.0

Welded Tee

Part no:ISOWF03



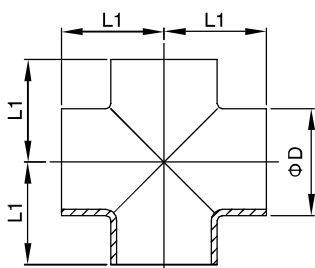
Size	L1	D
1"	33.5	25.4
1 1/4"	38.1	31.8
1 1/2"	48.5	38.1
2"	60.5	50.8
2 1/2"	83.5	63.5
3"	88.5	76.2
3 1/2"	103.5	88.9
4"	127	101.6
4 1/2"	152.4	114.3
5"	190.5	133.0
6"	228.6	159.0



Welded Reducer

Part no:ISOWF04

Size	A	D	D2
1.0"/0.75"	38.0	25.4	19.05
1.25"/1.0"	50.0	31.8	25.4
1.5"/1.25"	50.0	38.1	31.8
1.5"/1.0"	50.0	38.1	25.4
2.0"/1.5"	67.0	50.8	38.1
2.0"/1.25"	67.0	50.8	31.8
2.0"/1.0"	67.0	50.8	25.4
2.5"/2.0"	67.0	63.5	50.8
2.5"/1.5"	67.0	63.5	38.1
2.5"/1.0"	67.0	63.5	25.4
3.0"/2.5"	67.0	76.2	63.5
3.0"/2.0"	67.0	76.2	50.8
3.0"/1.5"	67.0	76.2	38.1
3.5"/3.0"	67.0	88.9	76.2
3.5"/2.5"	67.0	88.9	63.5
3.5"/2.0"	67.0	88.9	50.8
4.0" 3.5"	87.0	101.6	88.9
4.0"/3.0"	87.0	101.6	76.2
4.0"/2.5"	87.0	101.6	63.5
4.0"/2.0"	87.0	101.6	50.8

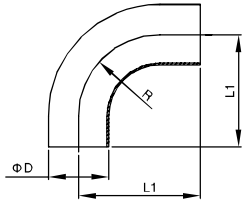


Welded Cross

Part no:ISOWF05

Size	L1	D
1"	33.5	25.4
1 1/4"	38.0	32.0
1 1/2"	48.5	38.0
2"	60.5	51.0
2 1/2"	83.5	63.5
3"	88.5	76.0
3 1/2"	103.5	89.0
4"	127	101.6

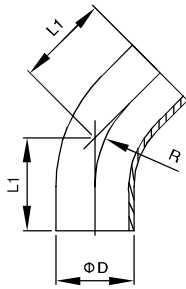
BPE 管件.BPE WELDING FITTING



BPE 90° Bend

Part no:BPE01

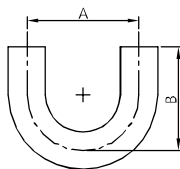
Size	L1	D	R
1/2"	76.2	12.7	19.1
3/4"	76.2	19.05	28.6
1"	76.2	25.4	38.1
1 1/2"	95.3	38.1	57.2
2"	120.7	50.8	76.2
2 1/2"	139.7	63.5	95.3
3"	158.8	76.2	114.3
4"	203.2	101.6	152.4



BPE 45° Bend

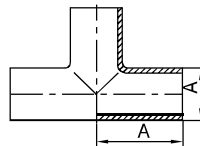
Part no:BPE02

Size	L1	D	R
1/2"	57.2	12.7	19.1
3/4"	57.2	19.05	28.6
1"	57.2	25.4	38.1
1 1/2"	63.5	38.1	57.2
2"	76.2	50.8	76.2
2 1/2"	85.7	63.5	95.3
3"	92.1	76.2	114.3
4"	114.3	101.6	152.4

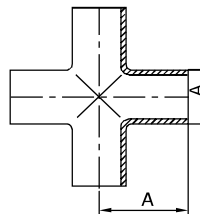


BPE 180° Bend Part no:BPE03

Nominal Size in.	A		B	
	in.	mm	in.	mm
1/4"	4.500	114.3	2.625	66.7
3/8"	4.500	114.3	2.625	66.7
1/2"	4.500	114.3	3.000	76.2
3/4"	4.500	114.3	3.000	76.2
1"	3.000	76.2	3.000	76.2
1 1/2"	4.500	114.3	4.500	114.3
2"	6.000	152.4	5.000	127.0
2 1/2"	7.500	190.5	5.750	146.1
3"	9.000	228.6	6.500	165.1
4"	12.000	304.8	8.500	215.9
6"	18.000	457.2	11.500	292.1



Part no:BPE04

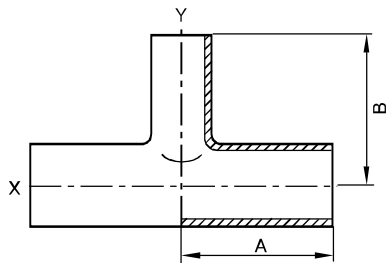


Part no:BPE05

BPE TEE&CROSS

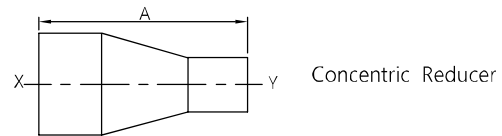
Nominal Size in.	A	
	in.	mm
1/4"	1.750	44.5
3/8"	1.750	44.5
1/2"	1.875	47.6
3/4"	2.000	50.8
1"	2.125	54.0
1 1/2"	2.375	60.3
2"	2.875	73.0
2 1/2"	3.125	79.4
3"	3.375	85.7
4"	4.125	104.8
6"	5.625	142.9

BPE管件.BPE WELDING FITTING

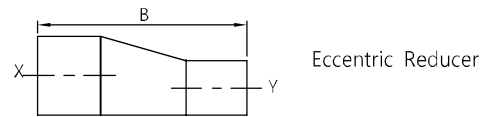


BPE Welded Reducing Tee Part no:BPE06

Nominal Size,in.		A		B	
X	Y	in.	mm	in.	mm
3/8	1/4	1.750	44.5	1.750	44.5
1/2	1/4	1.875	47.5	1.875	47.6
1/2	3/8	1.875	47.6	1.875	47.6
3/4	1/4	2.000	50.8	2.000	50.8
3/4	3/8	2.000	50.8	2.000	50.8
3/4	1/2	2.000	50.8	2.000	50.8
1	1/4	2.125	54.0	2.125	54.0
1	3/8	2.125	54.0	2.125	54.0
1	1/2	2.125	54.0	2.125	54.0
1	3/4	2.125	54.0	2.125	54.0
1 1/2	1/2	2.375	60.3	2.375	60.3
1 1/2	3/4	2.375	60.3	2.375	60.3
1 1/2	1	2.375	60.3	2.375	60.3
2	1/2	2.875	73.0	2.625	66.7
2	3/4	2.875	73.0	2.625	66.7
2	1	2.875	73.0	2.625	66.7
2	1 1/2	2.875	73.0	2.625	66.7
2 1/2	1/2	3.125	79.4	2.875	73.0
2 1/2	3/4	3.125	79.4	2.875	73.0
2 1/2	1	3.125	79.4	2.875	73.0
2 1/2	1 1/2	3.125	79.4	2.875	73.0
2 1/2	2	3.125	79.4	2.875	73.0
3	1/2	3.375	85.7	3.125	79.4
3	3/4	3.375	85.7	3.125	79.4
3	1	3.375	85.7	3.125	79.4
3	1 1/2	3.375	85.7	3.125	79.4
3	2	3.375	85.7	3.125	79.4
3	2 1/2	3.375	85.7	3.125	79.4
4	1/2	4.125	104.8	3.625	92.1
4	3/4	4.125	104.8	3.625	92.1
4	1	4.125	104.8	3.625	92.1
4	1 1/2	4.125	104.8	3.625	92.1
4	2	4.125	104.8	3.875	98.4
4	2 1/2	4.125	104.8	3.875	98.4
4	3	4.125	104.8	3.875	98.4
6	3	5.625	142.9	4.875	123.8
6	4	5.625	142.9	5.125	130.2



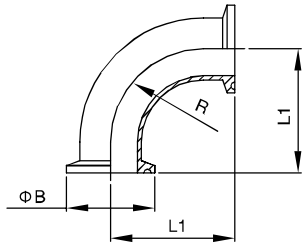
Part no:BPE07



Part no:BPE08

Nominal Size,in.		A		B	
X	Y	in.	mm	in.	mm
3/8	1/4	3.250	82.6	4.000	101.6
1/2	1/4	3.250	82.6	4.000	101.6
1/2	3/8	3.250	82.6	4.000	101.6
3/4	1/4	3.250	82.6	4.000	101.6
3/4	3/8	3.250	82.6	4.000	101.6
3/4	1/2	4.000	101.6	4.000	101.6
1	1/4	4.500	114.3	4.500	114.3
1	3/8	4.500	114.3	4.500	114.3
1	1/2	4.500	114.3	4.500	114.3
1	3/4	4.000	101.6	4.000	101.6
1 1/2	1/2	5.500	139.7	5.500	139.7
1 1/2	3/4	5.000	127.0	5.000	127.0
1 1/2	1	5.000	127.0	5.000	127.0
2	1/2	7.750	196.9	7.750	196.9
2	3/4	7.250	184.2	7.250	184.2
2	1	7.250	184.2	7.250	184.2
2	1 1/2	5.250	133.4	5.250	133.4
2 1/2	1/2	9.750	247.7	9.750	247.7
2 1/2	3/4	9.250	235.0	9.250	235.0
2 1/2	1	9.250	235.0	9.250	235.0
2 1/2	1 1/2	7.250	184.2	7.250	184.2
2 1/2	2	5.500	139.7	5.500	139.7
3	1	11.250	285.8	11.250	285.8
3	1 1/2	9.250	235.0	9.250	235.0
3	2	7.500	190.5	7.500	190.5
3	2 1/2	5.500	139.7	5.500	139.7
4	1	15.500	393.7	15.500	393.7
4	1 1/2	13.500	342.9	13.500	342.9
4	2	11.750	298.5	11.750	298.5
4	2 1/2	9.750	247.7	9.750	247.7
4	3	7.750	196.9	7.750	196.9
6	3	10.000	254.0	9.750	247.7
6	4	10.000	254.0	10.000	254.0

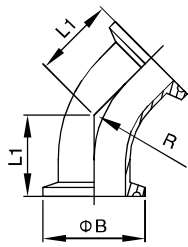
卡箍管件.CLAMPED FITTING



90° clamped Elbow

Part no:CF01

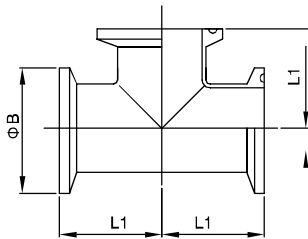
Size	L1	B	R
1"	50.8	50.5	38.1
1 1/2"	69.9	50.5	57.2
2"	88.9	64.0	76.2
2 1/2"	108.0	77.5	95.3
3"	127.0	91.0	114.3
4"	168.2	119.0	152.4
6"	250.8	167	228.6



45° clamped Elbow

Part no:CF02

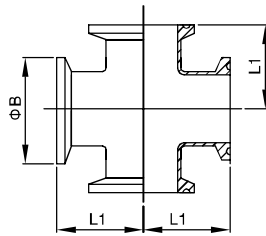
Size	L1	B	R
1"	28.5	50.5	38.1
1 1/2"	36.5	50.5	57.2
2"	44.5	64.0	76.2
2 1/2"	52.3	77.5	95.3
3"	60.3	91.0	114.3
4"	76.2	119.0	152.4



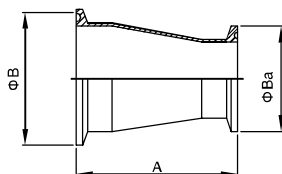
Part no:CF03

Clamped Tee
Clamped Cross

Size	L1	B
1"	60.3	50.5
1 1/2"	69.9	50.5
2"	88.9	64.0
2 1/2"	88.9	77.5
3"	95.3	91.0
4"	114.2	119.0



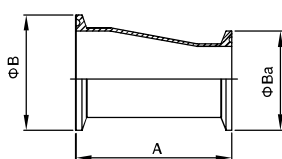
Part no:CF04



Concentric Part no:CF05

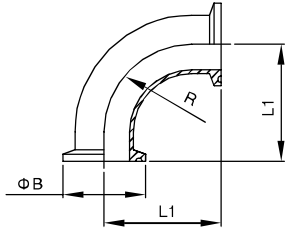
Clamped Reducer

Size	A	B	Ba
1.5"/1.0"	76.2	50.5	50.5
2.0"/1.0"	127.0	64.0	50.5
2.0"/1.5"	76.2	64.0	50.5
2.5"/1.5"	127.0	77.5	50.5
2.5"/2.0"	76.2	77.5	64.0
3.0"/1.5"	177.8	91.0	50.5
3.0"/2.0"	127.0	91.0	64.0
3.0"/2.5"	76.2	91.0	77.5
4.0"/2.0"	231.8	119.0	64.0
4.0"/2.5"	181.0	119.0	77.5
4.0"/3.0"	130.2	119.0	91.0



Eccentric Part no:CF06

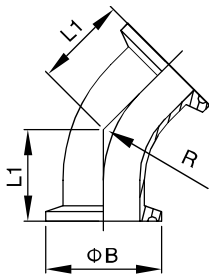
DIN卡箍管件.DIN CLAMP FITTING



DIN clamped bend 90°

Part no:CF07

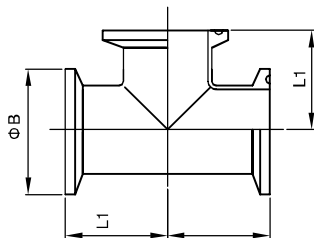
Size	L1	R	B
DN15	53.0	34.0	35.0
DN20	58.0	34.0	40.0
DN25	71.0	50.5	50.0
DN32	76.5	50.5	55.0
DN40	81.5	50.5	60.0
DN50	91.5	64.0	70.0
DN65	108.0	91.0	80.0
DN80	118.0	106.0	90.0
DN100	128.0	119.0	100.0



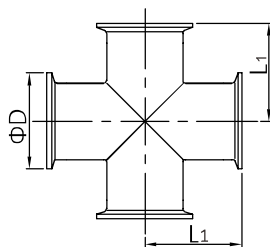
DIN clamped bend 45°

Part no:CF08

Size	L1	B	R
DN20	34.5	34.0	40.0
DN25	42.2	50.5	50.0
DN32	44.3	50.5	55.0
DN40	46.3	50.5	60.0
DN50	50.5	64.0	70.0
DN65	61.2	91.0	80.0
DN80	65.3	106.0	90.0
DN100	69.5	119.0	100.0



Part no:CF09

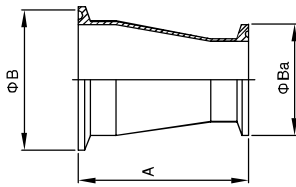


Part no:CF10

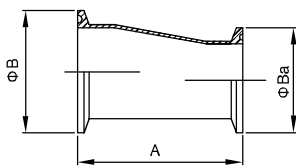
DIN clamped TEE&Cross

Size	L1	B
DN15	53.0	34.0
DN20	58.0	34.0
DN25	71.5	50.5
DN32	76.5	50.5
DN40	81.5	50.5
DN50	91.5	64.0
DN65	108.0	91.0
DN80	118.0	106.0
DN100	128.0	119.0
DN125	225	144.5
DN150	263	167

DIN卡箍管件.DIN CLAMP FITTING



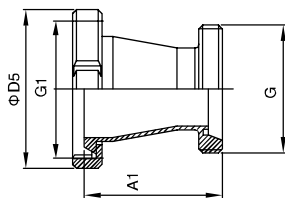
Concentric
Part no:CF11



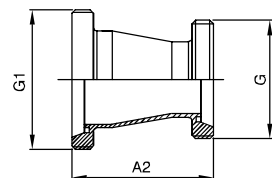
Eccentric
Part no:CF12

Clamped Reducer

Size	A	B	Ba
DN20/15	86.0	34.0	34.0
DN25/20	86.0	50.5	34.0
DN32/20	106.0	50.5	34.0
DN32/25	106.0	50.5	50.5
DN40/20	128.0	50.5	34.0
DN40/25	128.0	50.5	50.5
DN40/32	128.0	50.5	50.5
DN50/25	141.0	64.0	50.5
DN50/32	141.0	64.0	50.5
DN50/40	141.0	64.0	50.5
DN65/25	151.0	91.0	50.5
DN65/32	151.0	91.0	50.5
DN65/40	146.0	91.0	50.5
DN65/50	146.0	91.0	64.0
DN80/40	166.0	106.0	50.5
DN80/50	151.0	106.0	64.0
DN80/65	146.0	106.0	91.0
DN100/50	192.0	119.0	64.0
DN100/65	159.0	119.0	91.0
DN100/80	152.0	119.0	106.0



Threaded/nut
Part no:CF13



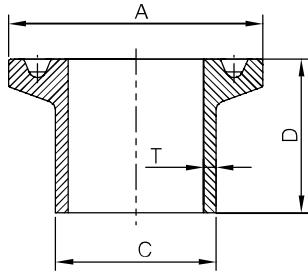
Threaded
Part no:CF14

Union-type Reducer

Size	A1	G	D5	A2	G1
DN20/15	93.0	RD34×1/8	54.0	98.0	RD44×1/6
DN25/20	97.0	RD44×1/6	62.0	101.0	RD52×1/6
DN32/20	117.0	RD44×1/6	68.0	121.0	RD58×1/6
DN32/25	118.0	RD52×1/6	68.0	122.0	RD58×1/6
DN40/20	139.0	RD44×1/6	78.0	143.0	RD65×1/6
DN40/25	140.0	RD52×1/6	78.0	144.0	RD65×1/6
DN40/32	140.0	RD58×1/6	78.0	144.0	RD65×1/6
DN50/25	153.0	RD52×1/6	92.0	157.0	RD78×1/6
DN50/32	153.0	RD58×1/6	92.0	157.0	RD78×1/6
DN50/40	153.0	RD65×1/6	92.0	157.0	RD78×1/6
DN65/25	163.0	RD52×1/6	110.0	169.0	RD95×1/6
DN65/32	163.0	RD58×1/6	110.0	169.0	RD95×1/6
DN65/40	158.0	RD65×1/6	110.0	164.0	RD95×1/6
DN65/50	158.0	RD78×1/6	110.0	164.0	RD95×1/6
DN80/40	181.0	RD65×1/6	126.0	187.0	RD110×1/4
DN80/50	166.0	RD78×1/6	126.0	172.0	RD110×1/4
DN80/65	183.0	RD95×1/6	126.0	174.0	RD110×1/4
DN100/50	195.0	RD78×1/6	146.0	209.0	RD130×1/4
DN100/65	174.0	RD95×1/6	146.0	178.0	RD130×1/4
DN100/80	170.0	RD110×1/4	146.0	174.0	RD130×1/4

DIN Clamp Ferrule

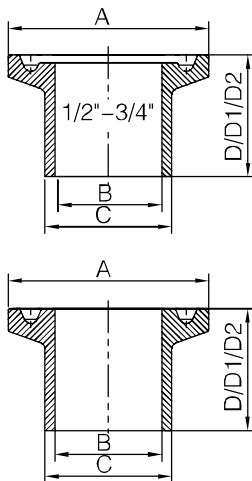
Part no:CF15



Size	A	C	D	T
DN15	34.0	18.0	18.0	1.5
DN20	34.0	22.0	18.0	1.5
DN25	50.5	28.0	21.5	1.5
DN32	50.5	34.0	21.5	1.5
DN40	50.5	40.0	21.5	1.5
DN50	64.0	52.0	21.5	1.5
DN65	91.0	70.0	28.0	2.0
DN80	106.0	85.0	28.0	2.0
DN100	119.0	104.0	28.0	2.0
DN125	145.0	129.0	28.0	2.0
DN150	167.0	154.0	28.0	2.0

Tri-clamp Ferrule Part no:CF16

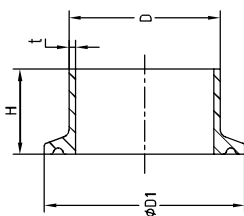
3A-14WMP/14MMP/14AMP



Size	A	B	C	D	D1	D2
1/2"	25.2	9.4	12.7	12.7	21.5	28.6
3/4"	25.2	15.75	19.05	12.7	21.5	28.6
1"	50.5	22.1	25.4	12.7	21.5	28.6
1 1/4"	50.5	28.5	31.8	12.7	21.5	28.6
1 1/2"	50.5	34.8	38.1	12.7	21.5	28.6
2"	64.0	47.5	50.8	12.7	21.5	28.6
2 1/2"	77.5	60.2	63.5	12.7	21.5	28.6
3"	91.0	72.9	76.2	12.7	21.5	28.6
4"	119.0	97.4	101.6	15.9	21.5	28.6
6"	166.8	146.8	152.4	22.2	21.5	38.1
8"	217.7	197.6	203.2	22.2	21.5	38.1
10"	268.5	248.4	254	22.2	21.5	38.1
12"	319.3	299.2	304.8	22.2	21.5	38.1

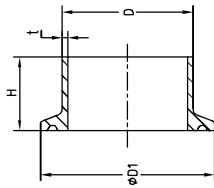
BS Ferrule SCH5/SCH 10

Part no:CF17



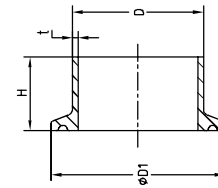
Size	D	D1	H	t(sch5)	t(sch10)
1/2"	21.34	50.5	21.5	1.65	2.11
3/4"	26.67	50.5	21.5	1.65	2.11
1"	33.4	50.5	21.5	1.65	2.77
1 1/4"	42.16	64	21.5	1.65	2.77
1 1/2"	48.26	64	21.5	1.65	2.77
2"	60.33	77.5	21.5	1.65	2.77
2 1/2"	73.03	91	21.5	2.11	3.18
3"	88.9	106	21.5	2.11	3.18
3 1/2"	101.6	119	21.5	2.11	3.18
4"	114.3	130	28	2.11	3.18
5"	141.3	155	28	2.11	3.40
6"	168.28	183	28	2.11	3.40
8"	219.09	233.5	28	2.11	3.76
10"	273.05	286	28	3.40	4.19

卡箍接头.CLAMP FERRULE



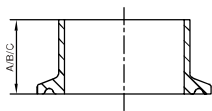
ISO/IDF Ferrule
Part no:CF18

Size	D	D1	H	t
1/2"	12.7	25.4	21.5	1.5/1.0
3/4"	19.1	25.4	21.5	1.5/1.0
1"	25.4	50.5	21.5	1.5/1.2
1 1/4"	31.8	50.5	21.5	1.5/1.2
1 1/2"	38.1	50.5	21.5	1.5/1.2
45	45	64	21.5	1.5
2"	50.8	64	21.5	1.5
57	57	77.5	21.5	2.0
2 1/2"	63.5	77.5	21.5	2.0
3"	76.2	91	21.5	2.0
3 1/2"	89	106	21.5	2.0
4"	101.6	119	21.5	2.0
108	108	119/130	21.5	2.0
114.3	114.3	130	21.5	2.0
133	133	155	28	2.0
159	159	183	28	3.0
204	204	217.4	28	2.0
219	219	233.5	28	3.0
254	254	268	28	2.0
304	304	319	28	2.0



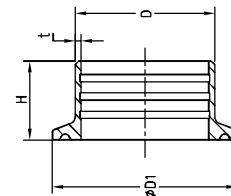
ISO1127 Ferrule
Part no:CF19

Size	D	D1	H	t
21.3	21.3	50.5	21.5	1.6
26.9	26.6	50.5	21.5	1.6
33.7	33.7	50.5	21.5	2.0
42.4	42.4	64	21.5	2.0
48.3	48.3	64	21.5	2.0
60.3	60.3	77.5	21.5	2.0
76.2	76.1	91	21.5	2.0
88.9	88.9	106	28	2.0
114.3	114.3	130	28	2.0
139.7	139.7	155	28.0	2.0
168.3	168.3	183	28.0	3.6
219.1	219.1	233.5	28.0	3.6



BPE Ferrule
Part no:CF20

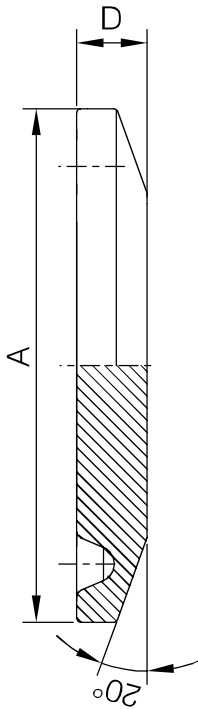
Size	A		B		C	
	In.	mm	in.	mm	in.	mm
1/4"	1.750	44.5	1.130	28.7	0.500	12.7
3/8"	1.750	44.5	1.130	28.7	0.500	12.7
1/2"	1.750	44.5	1.130	28.7	0.500	12.7
3/4"	1.750	44.5	1.130	28.7	0.500	12.7
1"	1.750	44.5	1.130	28.7	0.500	12.7
1 1/2"	1.750	44.5	1.130	28.7	0.500	12.7
2"	2.250	57.2	1.130	28.7	0.500	12.7
2 1/2"	2.250	57.2	1.130	28.7	0.500	12.7
3"	2.250	57.2	1.130	28.7	0.500	12.7
4"	2.250	57.2	1.130	28.7	0.625	15.9
6"	3.000	76.2	1.500	38.1	0.750	19.1



Expanding Ferrule
Part no:CF21

Size	D	D1	H
1"	29.5	50.5	19.1
1 1/2"	42.5	50.5	28.6
2"	55.7	64	33.3
2 1/2"	68.8	77.5	34.9
3"	82	91	36.5
4"	108	119	38.1

卡箍接头.CLAMP FERRULE



DIN Blank

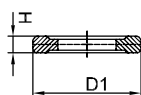
Part no:CF22

Size	A	D
DN15	34.0	5.0
DN20	34.0	5.0
DN25	50.5	6.3
DN32	50.5	6.3
DN40	50.5	6.3
DN50	61.0	6.3
DN65	91.0	6.3
DN80	106.0	6.4
DN100	119.0	7.9
DN125	145.0	10.5
DN150	167.0	10.5

16A Solid end cap

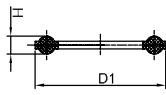
Part no:CF23

Size	A	D
1/2"-3/4"	25.2	5.0
A37	34.0	6.3
1-1.5"	50.5	6.3
2"	64.0	6.3
2.5"	77.5	6.3
3"	91.0	6.3
4"	119.0	7.9
6"	166.8	11.1
8"	217.7	11.1
10"	268.5	11.1
12"	319.3	11.1



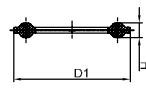
Tri-clamp Plain gasket
Part no:CF24

Size	D1	H
1/2"	20.3	5
3/4"	20.3	5
1"	50.5	5
1 1/2"	50.5	5
2"	64	5.5
2 1/2"	77.5	5.5
3"	91	5.5
3 1/2"	106	5.5
4"	119	5.5
4 1/2"	130	5.5
5"	144.5	5.5
φ 133	155	5.5
6"	167	5.5
φ 159	183	5.5
8"	217.4	5.5
φ 219	233.5	5.5
10"	268	5.5
12"	319	5.5



DIN Tri-clamp gasket
Part no:CF25

Size	D1	H
DN10	34	5
DN15	34	5
DN20	34	5
DN25	50.5	5
DN32	50.5	5
DN40	50.5	5
DN50	64	5.5
DN65	91	5.5
DN80	106	5.5
DN100	119	5.5
DN125	144.5	5.5
DN125	155	5.5
DN150	167	5.5
DN150	183	5.5
DN200	217.4	5.5
DN200	233.5	5.5
DN250	268	5.5
DN300	319	5.5

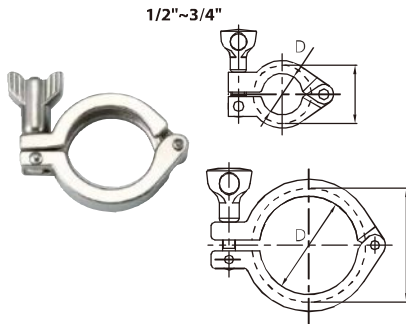


Lipped gasket 13PG
Part no:CF26

Size	A	B
1.0"	22.8	52.7
1.5"	35.8	52.7
2.0"	48.8	66.2
2.5"	60.5	79.7
3.0"	73.1	93.2
4.0"	97.8	121.2
6.0"	148	169.1
10"	249	270.7
12"	300	321.5



seal with screen(60-200mesh)



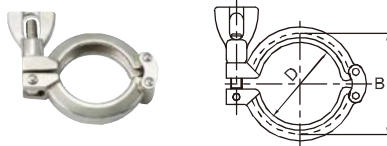
13MHH heavy duty single pin clamp

Part no:CL01

Size	D
1/2"-3/4"	28
1"-1 1/2"	53.6
2"	67
2.5"	80.6
3"	94.2
3.5"	109.2
4"	122.2
4.5"	133.2
5"	149
133	159
6"	170.4
159	187
8"	220
219	238
10"	272
12"	323

Part no:CL02

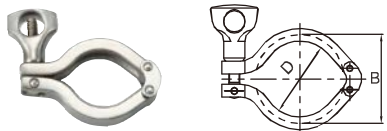
Size	D
DN10-20	37
DN25-40	53.6
DN50	67
DN65	94.2
DN80	109.2
DN100	122.2
DN125	149
DN125	159
DN150	170.4
DN150	187
DN200	220
DN200	238
DN250	272
DN300	323



13SF Heavy Duty Double pin Clamp

Part no:CL03

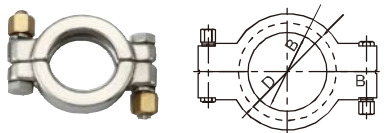
SIZE	D	B
1/2"~3/4"	20	28
A37	27.5	42.9
1"~1.5"	45	53.6
2"	59	72
2.5"	67	84
3"	85	98
4"	114	127



13MHHM double pin Clamp

Part no:CL04

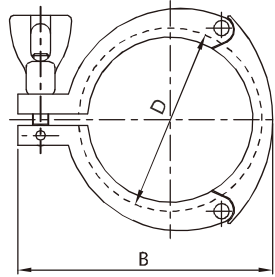
SIZE	D	B
1/2"~3/4"	20	28
1"~1.5"	43.6	53.6
2"	57	67
2.5"	70.6	80.6
3"	84	94
4"	112	122
6"	155	170
8"	205	220.8



13MHP Bolted High Pressure Clamp

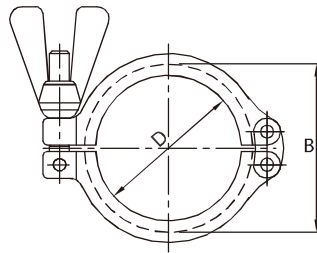
Part no:CL05

SIZE	B	D
1/2"~3/4"	20	28
1"~1.5"	43.3	52
2"	56.4	65.5
2.5"	69.5	79
3"	77.6	92.5
4"	108.8	120.5
6"	158	170
6.5"	173	186.2
8"	222.5	237.5
10"	258.2	272.8
12"	309	327.6



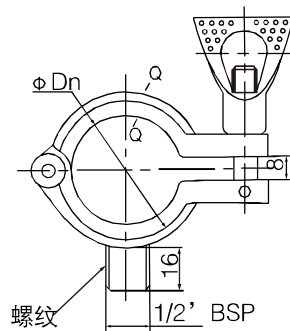
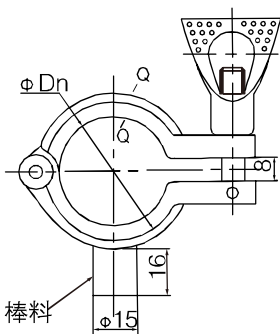
13MHHS 3-Piece Clamp
Part no:CL06

SIZE	D	B
1"~1.5"	54	80
2"	67.5	94
2.5"	80.9	109
3"	94	126
4"	122.4	154
12"	323.4	369



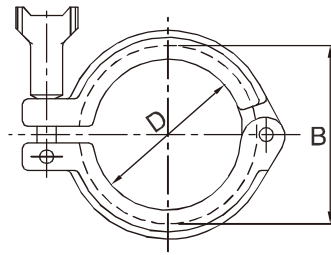
13CS Double pin Clamp
Part no:CL07

SIZE	D	B
1/2"~3/4"	20.6	28.3
DN10-20	27.2	37
1.5"	41.02	53.5
DN25-40	44.5	54.5
2.0"	54.5	67
DN50	57	68
2.5"	68	80.5
3.0"	81.5	94
DN65	84	95
DN80	99	110
4.0"	109.5	122
DN100	112	123
DN115	123	134
DN125	144	159
6.0"	157.6	175.1
DN150	172	187
8.0"	207.4	225.9
DN200	222.5	237.5
DN250	257	272
DN300	308	323



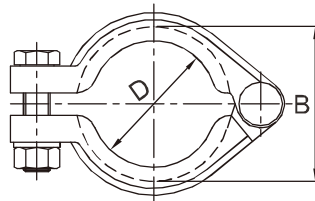
Pipe holder with solid bar/BSP socket
Part no:CL08

Size	D
1"	25.4
1 1/4"	31.8
1 1/2"	38.1
2"	50.8
2 1/2"	63.5
3"	76.2
3 1/2"	89
4"	101.6



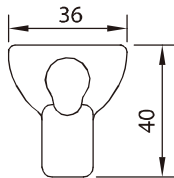
13IS I-Line Clamp
Part no:CL09

SIZE	D	B
1.0"~1.5"	44.4	53.4
2.0"	57.8	72.2
2.5"	71.4	88.1
3.0"	84	102.4
4.0"	110	127.8
6.0"	155.4	195.3

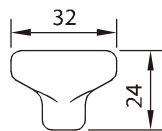


13IU Bolted Clamp
Part no:CL10

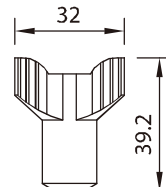
SIZE	D	B
1"~1.5"	45	55
2.0"	63	73
2.5"	74	89
3.0"	88	102
4.0"	111	128



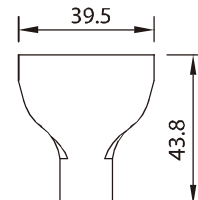
13MHH-8



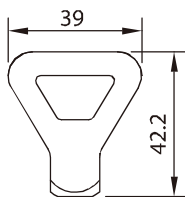
13MHH-10



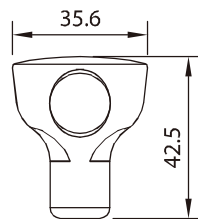
13MHH-11



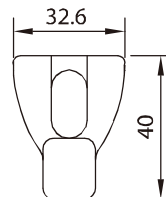
13MHH-12



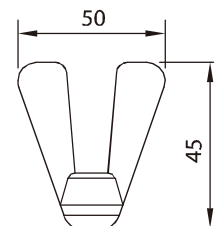
13MHH-13



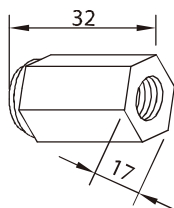
13MHH-14



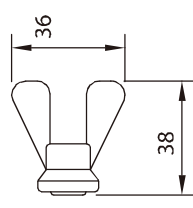
13SP-2



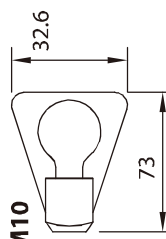
F2



H17



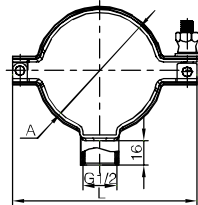
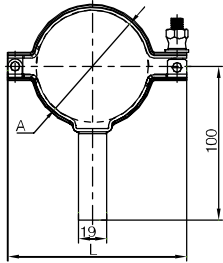
T1



G1-M10

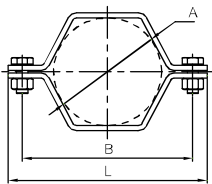
管支架.PIPE HANGER

Weld: TH01A Threaded:TH01B



Part no:TH01

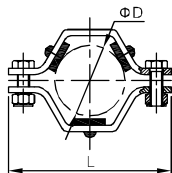
Size	λ	L
1"	25.4	66
1 1/2"	38.1	79
2"	50.8	90
2 1/2"	63.5	105
3"	76.3	120
4"	101.6	146



ISO Hexagon tube hanger

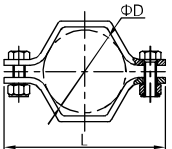
Part no:TH02

Size	A	B	L
ISO21.3	21.3	48	68
ISO26.9	26.6	55	74
ISO33.7	33.7	63	82
ISO42.4	42.4	71	93
ISO48.3	48.3	82	101
ISO60.3	60.3	95	114
ISO88.9	88.9	130	149
ISO114.3	114.3	158	177

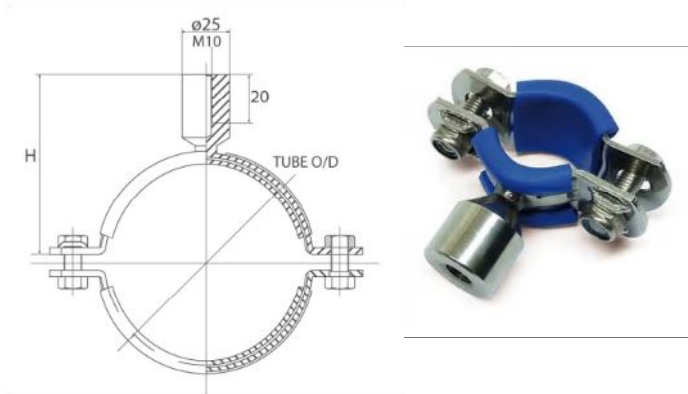


3A Hexagon tube hanger with Rubber insert or PVC sleeve
Part no:TH03

Size	D	L
1"	25.4	87
1 1/2"	38.1	101.6
2"	50.8	114.3
2 1/2"	63.5	120.6
3"	76.2	139.7
4"	101.6	171.4



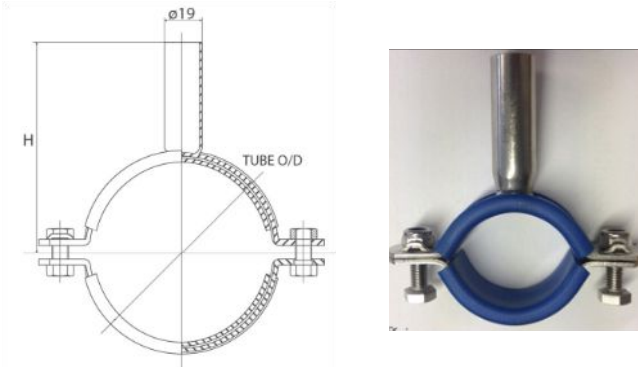
Bolted Pipe Clip C/W Blue Insert Bossed Type



Part no:TH04

Size	Tube O/D	H (mm)
1/2"	12.7	40.4
3/4"	19	45.5
1"	25.4	47.7
1.1/2"	38	54
2"	50.8	60.4
2.1/2"	63.5	66.8
3"	76	73
4"	101.6	85.8
5"	129	99.5
6"	154	115
8"	204	130
10"	254	162
12"	304	187

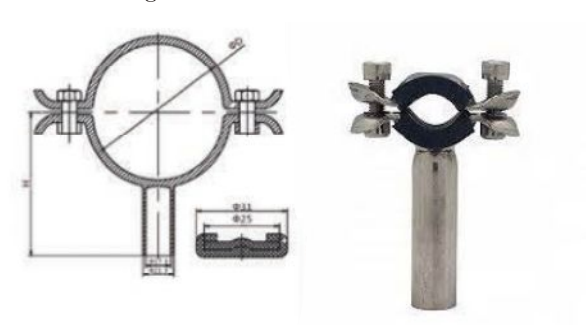
Bolted Pipe Clip C/W Blue Insert Weld Type



Part no:TH05

Size	Tube O/D	H (mm)
1/2"	12.7	90
3/4"	19	90
1"	25.4	90
1.1/2"	38	90
2"	50.8	90
2.1/2"	63.5	90
3"	76	90
4"	101.6	90
5"	129	129
6"	154	135
8"	204	155
10"	254	180
12"	304	205

Tube hanger with insert



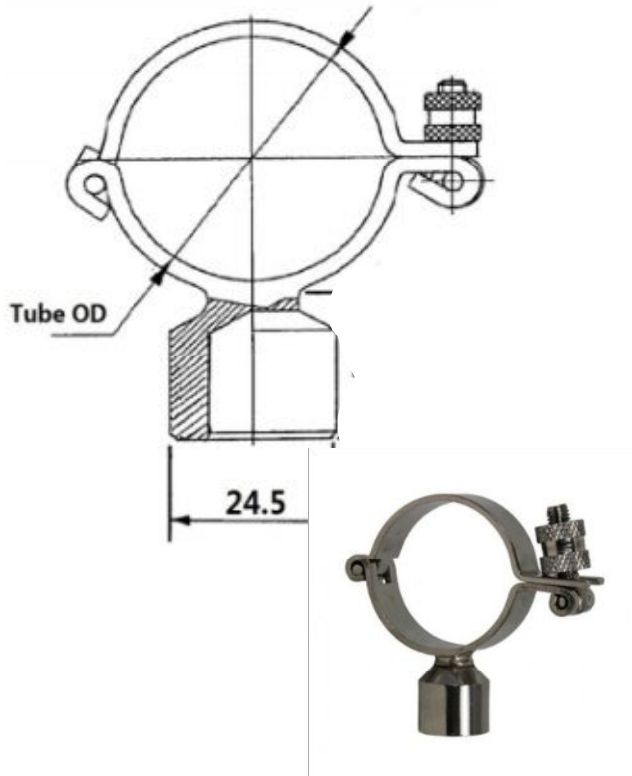
Part no:TH06

Size	Tube O/D	H (mm)
1/2"	12.7	90
3/4"	19	90
1"	25.4	90
1.1/2"	38	90
2"	50.8	90
2.1/2"	63.5	90
3"	76	90
4"	101.6	90
5"	129	125
6"	154	135
8"	204	145
10"	254	174
12"	304	200

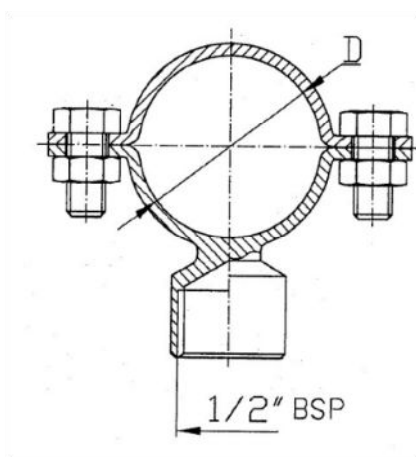
管支架.PIPE HANGER

Hinged pipe clip

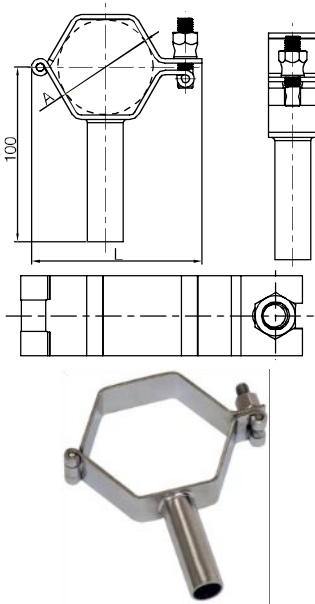
Part no:TH07A



Bolted Saddle Clip with BSP Socket
 Part no:TH07B



Size	D	H
1/2"	12.7	35.85
3/4"	19.1	39
1/2"NB	21.3	40.15
1"	25.4	42.2
3/4"NB	26.7	42.85
1 1/4"	32	45.5
1"NB	33.4	46.2
1 1/2"	38.1	48.55
1 1/4"NB	42.2	50.6
1 1/2"NB	48.3	53.65
2"	50.8	55
2"NB	60.3	59.65
2 1/2"	63.5	62
2 1/2"NB	73	66.5
3"	76.2	68
3"NB	89	74.5
4"	102	82
4"NB	114	88
5"	129	101.5
6"	154	114
6"NB	168	122
8"	204	139
10"	254	164
12"	304.8	189

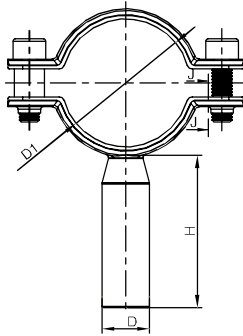


Hexagon pipe holder

Part no:TH08

Size	A	L
DIN28	28	61
DIN34	31	61
DIN40	40	78
DIN52	52	90
DIN70	70	111
DIN85	85	125
DIN101.6	101.6	152

Size	A	L
SMS25	25	61
SMS38	38	76
SMS51	51	90
SMS63.5	63.5	106
SMS76	76	120
SMS104	104	152

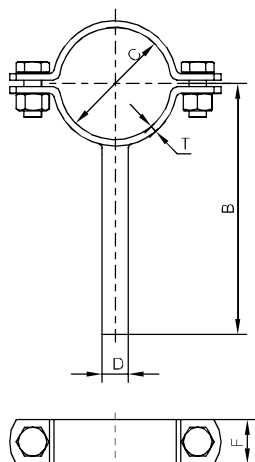


Round pipe hanger(with base)

Part no:TH09

Size	D	D1	L	H	T
1 4"	8	6.2	12	47	1.5
1/2"	8	12.5	12	47	1.5
3/4"	19	19	25	47	1.5
1"	19	25.4	25	47	1.5
1 1/2"	19	38.1	25	47	1.5
2"	19	50.8	25	47	1.5
2 1/2"	19	63.5	25	47	2
3"	19	76.2	25	47	2
4"	19	101.6	28	47	2
5"	19	129	28	47	2.5
6"	19	154	28	47	2.5
8"	25	204	35	47	3
10"	25	254	35	47	3
12"	25	304	35	47	3





Round tube hanger with solid bar
Part no:TH10

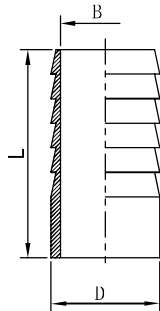
Size	B	D	C	F	T
DN10	63	8	12	14	2.0
DN15	66	8	18	14	2.0
DN20	68	8	22	16	2.0
DN25	71	10	28	16	2.0
DN32	74	10	34	16	2.0
DN40	77	10	40	20	2.0
DN50	83	12	52	20	2.0
DN65	92.5	12	70	20	2.5
DN80	100	12	85	25	2.5
DN100	110	12	104	25	3.0
DN125	140	16	129	25	3.0
DN150	152.5	16	154	30	3.0

Size	B	D	C	F	T
ISO 32(11/4")	78	10	42.4	16	2.0
ISO 40(11/2")	81.5	12	48.3	20	2.0
ISO 50(2")	88	12	60.3	20	2.5
ISO 80(3")	102	12	88.9	25	2.5
ISO 100(4")	115	12	114.3	25	3.0
ISO 125(5")	145	16	139.7	25	3.0
ISO 150(6")	160	16	168.3	30	3.0
ISO 200(8")	186	20	219.1	30	4.0

Size	B	D	C	F	T
SMS25.4	69.5	10	25	16	2.0
SMS38.1	76	10	38	20	2.0
SMS50.8	82.5	12	51	20	2.0
SMS63.5	89.5	12	63.5	20	2.5
SMS76.2	95.5	12	76	25	2.5
SMS101.6	109	16	101.6	25	3.0

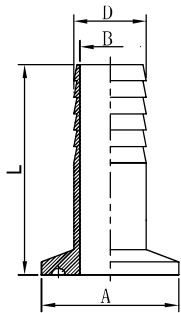


SMS Welding Hose Coupling Part no:SMSHC01



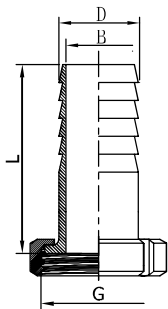
Size	B	D	L
12.7	9.0	12.7	45.0
19	15.0	19.0	45.0
25	21.4	25.4	60.0
32	27.8	31.8	60.0
38	34.0	38.1	60.0
51	47.0	50.8	60.0
63	59.5	63.5	70.0
76	72.2	76.2	80.0
102	97.6	101.6	80.0

SMS Clamp Hose Coupling Part no:SMSHC02



Size	A	B	D	L
12.7	25.2	9.0	12.7	66.0
19	25.2	15.0	19.0	66.0
25	50.5	21.4	25.4	81.0
32	50.5	27.8	31.8	81.0
38	50.5	34.0	38.1	81.0
51	64.0	47.0	50.8	81.0
63	77.5	59.5	63.5	91.0
76	91.0	72.2	76.2	101.0
102	119.0	97.6	101.6	101.0

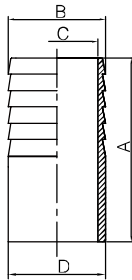
SMS Union type Hose Coupling Part no:SMSHC03



Size	B	D	G	L
25	21.4	25.4	RD40x1/6	69.0
32	27.8	31.8	RD48x1/6	70.0
38	34.0	38.1	RD60x1/6	70.0
51	47.0	50.8	RD70x1/6	70.0
63	59.5	63.5	RD85x1/6	81.0
76	72.2	76.2	RD98x1/6	92.0
102	97.6	101.6	RD125x1/4	93.0

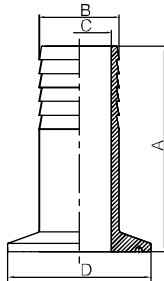


DIN 11864 Welding Hose Nipple Part no: DINHC01



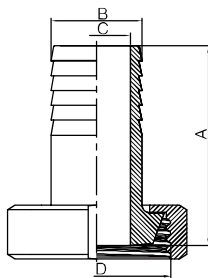
Size	A	B	C	D
DN15	50	19.5	16	19
DN20	48	23.5	20	23
DN25	58	30.0	26	29
DN32	68	35.5	32	35
DN40	78	43.0	38	41
DN50	88	55.0	50	53
DN65	97	73.0	66	70
DN80	107	89.0	81	85
DN100	116	108.0	100	104

DIN 11864 Clamped Hose Adaptor Part no: DINHC02



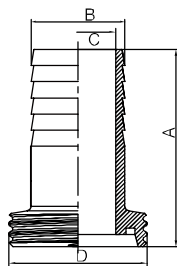
Size	A	B	C	D
DN15	68	19.5	16	34
DN20	66	23.5	20	50.5
DN25	79.5	30.0	26	50.5
DN32	89.5	35.5	32	50.5
DN40	99.5	43.0	38	50.5
DN50	109.5	55.0	50	64
DN65	125	73.0	66	91
DN80	135	89.0	81	106
DN100	144	108.0	100	119

DIN 11864 Union-type Hose Coupling Part no: DINHC03

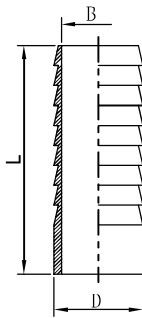


Size	A	B	C	D
DN15	63	19.5	16	RD34×1/8
DN20	63	23.5	20	RD44×1/6
DN25	75	30.0	26	RD52×1/6
DN32	85	35.5	32	RD58×1/6
DN40	95	43.0	38	RD65×1/6
DN50	106	55.0	50	RD78×1/6
DN65	117	73.0	66	RD95×1/6
DN80	127	89.0	81	RD110×1/4
DN100	140	108.0	100	RD130×1/4

DIN 11864 Threaded Hose Coupling Part no: DINHC04

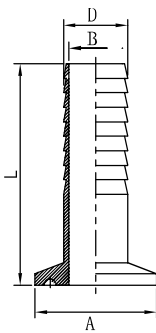


Size	A	B	C	D
DN15	67	19.5	16	RD34×1/8
DN20	69	23.5	20	RD44×1/6
DN25	82	30.0	26	RD52×1/6
DN32	92	35.5	32	RD58×1/6
DN40	102	43.0	38	RD65×1/6
DN50	113	55.0	50	RD78×1/6
DN65	125	73.0	66	RD95×1/6
DN80	135	89.0	81	RD110×1/4
DN100	150	108.0	100	RD130×1/4



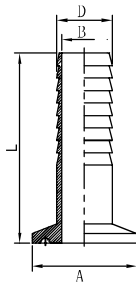
3A Welding Hose Nipple
Part no:3AHC01

Size	B	D	L
1/2"	9.0	13.7	25.3
3/4"	15.0	21.4	25.3
1"	21.4	25.4	30.3
1 1/4"	27.8	31.8	30.3
1 1/2"	34.0	38.1	30.3
2"	47.0	50.8	36.5
2 1/2"	59.5	63.5	37.5
3"	72.2	76.2	56.5
4"	97.6	101.6	53.5



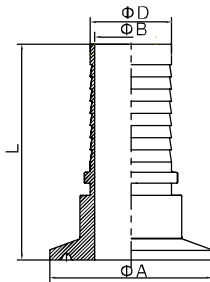
3A Long type Tri-clamp Ferrule Hose Adapter
Part no:3AHC02

Size	A	B	D	L
1/2"	25.2	9.0	12.7	50.8
3/4"	25.2	15.0	19.0	50.8
1"	50.5	21.4	25.4	114.3
1 1/4"	50.5	27.8	31.8	114.3
1 1/2"	50.5	34.0	38.1	114.3
2"	64.0	47.0	50.8	114.3
2 1/2"	77.5	59.5	63.5	114.3
3"	91.0	72.2	76.2	114.3
4"	119.0	97.6	101.6	114.3



3A Short type Tri-clamp Hose Nipple
Part no:3AHC03

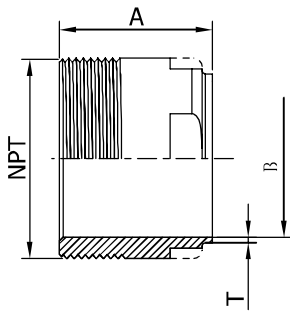
Size	A	B	D	L
1/2"	25.4	9.6	12.7	38
3/4"	25.4	14.05	19.05	38
1"	50.5	18.6	25.4	43
1 1/2"	50.5	31.4	38.1	43
2"	64.0	43.9	50.8	58
2 1/2"	77.5	55.6	63.5	59
3"	91.0	66.6	76.2	78
4"	119.0	91.8	101.6	85



3A Tri-clamp High Pressure Hose Nipple
Part no:3AHC04

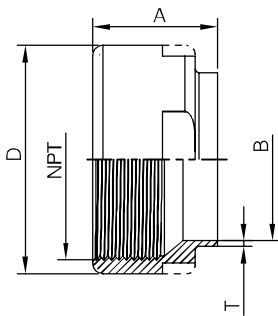
Size	A	B	D	L
1/2"	25.4	9.6	12.7	50.75
3/4"	25.4	14.05	19.05	55.35
1"	50.5	18.6	25.4	67.25
1 1/2"	50.5	31.4	38.1	89.45
2"	64.0	43.9	50.8	103.9
2 1/2"	77.5	55.6	63.5	110.7
3"	91.0	66.6	76.2	121.25
4"	119.0	91.8	101.6	117.5

19WBF Weld/NPT Male Adapter Part no:3A19WBF



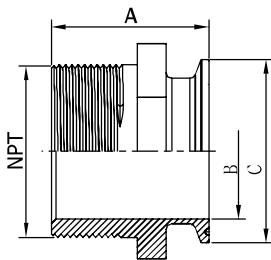
Size	A	B	T	NPT
1/2"	41.3	9.4	1.65	NPT1/2×14
3/4"	41.3	15.8	1.65	NPT3/4×14
1"	44.5	22.1	1.65	NPT1×11.5
1 1/4"	44.5	28.5	1.65	NPT1 1/4×11.5
1 1/2"	44.5	34.8	1.65	NPT1 1/2×11.5
2"	46.0	47.5	1.65	NPT2×11.5
2 1/2"	58.7	60.2	1.65	NPT2 1/2×8
3"	63.5	72.9	1.65	NPT3×8
4"	65.1	97.4	2.1	NPT4×8

22WBF Welded/NPT Female Adapter Part no:3A22WBF



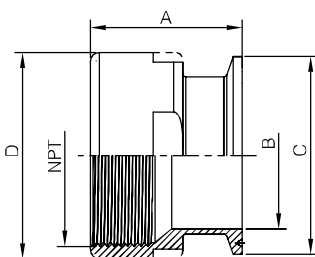
Size	A	B	T	NPT	D
1/2"	28.6	9.4	1.65	NPT1/2×14	30.0
3/4"	28.6	15.8	1.65	NPT3/4×14	33.3
1"	28.6	22.1	1.65	NPT1×11.5	41.3
1 1/4"	36.5	28.5	1.65	NPT1 1/4×11.5	47.6
1 1/2"	36.5	34.8	1.65	NPT1 1/2×11.5	55.0
2"	36.5	47.5	1.65	NPT2×11.5	73.0
2 1/2"	41.3	60.2	1.65	NPT2 1/2×8	79.0
3"	46.0	72.9	1.65	NPT3×8	100.0
4"	50.8	97.4	2.1	NPT4×8	125.0

21MP Clamped/NPT Male Hex Adapter Part no:3A21MP

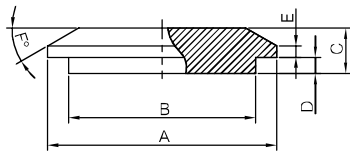


Size	A	B	C	NPT
1/2"	40.0	9.4	25.1	NPT1/2×14
3/4"	40.0	15.8	25.1	NPT3/4×14
1"	45.0	22.1	50.4	NPT1×11.5
1 1/4"	50.0	28.5	50.4	NPT1 1/4×11.5
1 1/2"	50.0	34.8	50.4	NPT1 1/2×11.5
2"	55.0	47.5	63.9	NPT2×11.5
2 1/2"	60.0	60.2	77.4	NPT2 1/2×8
3"	70.0	72.9	90.9	NPT3×8
4"	75.0	97.4	118.9	NPT4×8

22MP Clamped/NPT Female Hex Adapter Part no:3A22MP

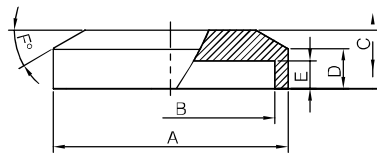


Size	A	B	C	NPT	D
1/2"	41.3	9.4	25.1	NPT1/2×14	30.0
3/4"	41.3	15.8	25.1	NPT3/4×14	33.3
1"	41.3	22.1	50.4	NPT1×11.5	41.3
1 1/4"	49.2	28.5	50.4	NPT1 1/4×11.5	47.6
1 1/2"	49.2	34.8	50.4	NPT1 1/2×11.5	55.0
2"	49.2	47.5	63.9	NPT2×11.5	73.0
2 1/2"	49.2	60.2	77.4	NPT2 1/2×8	79.0
3"	49.2	72.9	90.9	NPT3×8	100.0
4"	49.2	97.4	118.9	NPT4×8	125.0



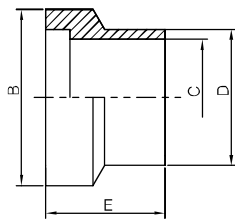
16AI-14I Male I-Line Solid End Cap
Part no:3AHC10

Size	A	B	C	D	E	F
1"	50.42	31.75	12.70	4.95	2.67	37°
1 1/2"	50.42	44.20	12.70	4.95	2.67	37°
2"	67.06	56.90	14.27	6.48	2.33	37°
2 1/2"	84.00	69.60	19.05	7.87	3.20	37°
3"	98.30	83.82	17.78	7.87	3.20	37°
4"	123.70	109.14	19.05	7.87	3.20	37°
6"	190.37	173.48	22.35	4.72	3.20	30°
8"	241.17	224.28	22.35	4.72	3.20	30°



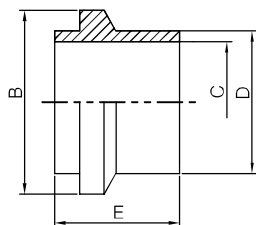
16AI-15I Female I-Line Solid End Cap
Part no:3AHC11

Size	A	B	C	D	E	F
1"	50.42	32.13	12.70	8.0	6.32	37°
1 1/2"	50.42	44.58	12.70	8.0	6.32	37°
2"	67.06	57.28	14.27	11.61	7.85	37°
2 1/2"	84.00	69.98	19.05	11.13	9.25	37°
3"	98.30	84.20	17.78	11.13	9.25	37°
4"	123.70	109.60	19.05	11.13	9.25	37°
6"	190.37	175.74	22.35	11.13	6.10	30°
8"	241.17	226.54	22.35	11.13	6.10	30°



Female I-Line Weld Ferrule
Part no:15WI/15WIL

Size	B	C	D	E	
				15WI	15WIL
1"	50.67	22.1	25.65	19.84	44.5
1 1/2"	50.67	34.8	38.35	23.8	46.7
2"	67.06	47.5	51.05	26.19	58.9
2 1/2"	84.0	60.2	63.75	29.36	63.4
3"	98.3	72.9	76.45	30.94	68.2
4"	123.7	97.38	101.85	34.11	76.2

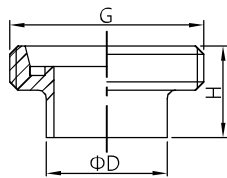
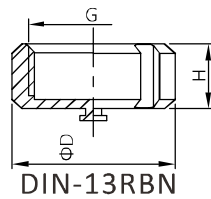
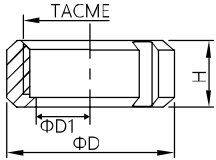


Male I-Line Weld Ferrule
Part no:14WI/14WIL

Size	B	C	D	E	
				14WI	14WIL
1"	50.67	22.1	25.65	19.84	44.5
1 1/2"	50.67	34.8	38.35	23.8	46.7
2"	67.06	47.5	51.05	26.19	58.9
2 1/2"	84.0	60.2	63.75	29.36	63.1
3"	98.3	72.9	76.45	30.94	68.2
4"	123.7	97.38	101.85	34.11	76.2

DIN 11851 Unions

DIN-13R

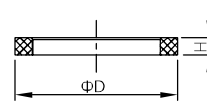


DIN-15DA/DB LONG WELDING MALE Part no: DINU03

Size	D		t	G	H
	1	2			
DN10	12	13	1.5	Rd28×1/8	21
DN15	18	19	1.5	Rd34×1/8	21
DN20	22	23	1.5	Rd44×1/6	24
DN25	28	29	1.5	Rd52×1/6	29
DN32	34	35	1.5	Rd58×1/6	32
DN40	40	41	1.5	Rd65×1/6	33
DN50	52	53	1.5	Rd78×1/6	35
DN65	-	70	2	Rd95×1/6	40
DN80	-	85	2	Rd110×1/4	45
DN100	-	104	2	Rd130×1/4	54
DN125	-	129	2	Rd160×1/4	46
DN150	-	154	2	Rd190×1/4	50

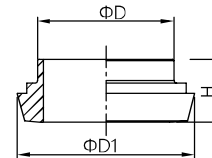
DIN Round Nut/Blind Nut Part no: DINU01

Size	DN	D	G	H
DN10	19	38	Rd28×1/8	18
DN15	25	44	Rd34×1/8	18
DN20	31	54	Rd44×1/6	20
DN25	36	62	Rd52×1/6	21
DN32	42	70	Rd58×1/6	21
DN40	49	77	Rd65×1/6	21
DN50	62	91	Rd78×1/6	22
DN65	80	112	Rd95×1/6	25
DN80	94	125	Rd110×1/4	27
DN100	115	147	Rd130×1/4	29
DN125	138	178	Rd160×1/4	32
DN150	164	208	Rd119×1/4	34



DIN SEAL RING Part no: DINU02

Size	D1	H
DN10	20	4
DN15	26	5
DN20	33	5
DN25	40	5
DN32	46	5
DN40	52	5
DN50	64	5
DN65	81	5
DN80	95	5
DN100	114	5
DN125	142	6
DN150	167	6

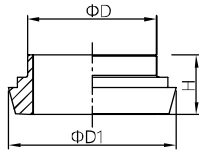


DIN-14DA/DB LONG WELDING LINER Part no: DINU04

Size	D		t	D1	H
	1	2			
DN10	12	13	1.5	22	17
DN15	18	19	1.5	28	17
DN20	22	23	1.5	36	18
DN25	28	29	1.5	44	22
DN32	34	35	1.5	50	25
DN40	40	41	1.5	56	26
DN50	52	53	1.5	68	28
DN65	-	70	2	86	32
DN80	-	85	2	100	37
DN100	-	104	2	121	44
DN125	-	129	2	150	34
DN150	-	154	2	176	37

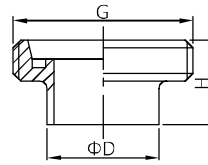


由任.FORGED UNION



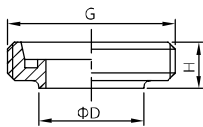
DIN-14 HIGH PRESSURE WELDING LINER
Part no: DINU05

Size	D	D1	H	T
DN10	15	22	17	2.5
DN15	21	28	17	2.5
DN20	25	36	18	2.5
DN25	31	44	22	2.5
DN32	37	50	25	2.5
DN40	43	56	26	2.5
DN50	55	68	28	2.5
DN65	72	86	32	3
DN80	87	100	37	3
DN100	106	121	44	3
DN125	132	150	34	3.5
DN150	157	176	37	3.5



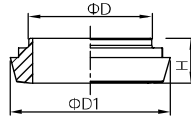
DIN-15 HIGH PRESSURE WELDING MALE
Part no: DINU06

Size	D	G	H	T
DN10	15	Rd28x1/8	21	2.5
DN15	21	Rd34x1/8	21	2.5
DN20	25	Rd44x1/6	24	2.5
DN25	31	Rd52x1/6	29	2.5
DN32	37	Rd58x1/6	32	2.5
DN40	43	Rd65x1/6	33	2.5
DN50	55	Rd78x1/6	35	2.5
DN65	72	Rd95x1/6	40	3
DN80	87	Rd110x1/4	45	3
DN100	106	Rd130x1/4	54	3
DN125	132	Rd160x1/4	46	3.5
DN150	157	Rd190x1/4	50	3.5



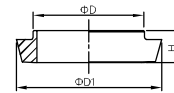
DIN-15E SHORT WELDING MALE
Part no: DINU07

Size	D	G	H
DN15	18/19	Rd34x1/8	17
DN20	22/23	Rd44x1/6	19
DN25	28/29	Rd52x1/6	22
DN32	34/35	Rd58x1/6	23
DN40	40/41	Rd65x1/6	21
DN50	52/53	Rd78x1/6	22
DN65	70	Rd95x1/6	25
DN80	85	Rd110x1/4	25
DN100	104	Rd130x1/4	30
DN125	129	Rd160x1/4	33
DN150	154	Rd190x1/4	35



SHORT STEPPED WELDING LINER
Part no: DINU08

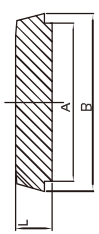
Size	D	D1	H
DN15	18/19	28	13
DN20	22/23	36	15
DN25	28/29	44	17
DN32	34/35	50	17
DN40	40/41	56	19
DN50	52/53	68	20
DN65	70	86	20
DN80	85	100	23
DN100	104	121	26
DN125	129	150	33
DN150	154	176	34



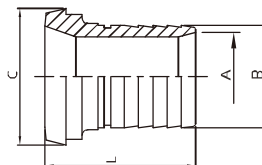
DIN-14E SHORT WELDING LINER
Part no: DINU09

Size	D	D1	H
DN10	12/13	22	13
DN15	18/19	28	13
DN20	22/23	36	13
DN25	28/29	44	15.5
DN32	34/35	50	16
DN40	40/41	56	16
DN50	52/53	68	17
DN65	70	86	18
DN80	85	100	17
DN100	104	121	21
DN125	129	150	25
DN150	154	176	30

DIN-14B Blank
Part no: DINU10



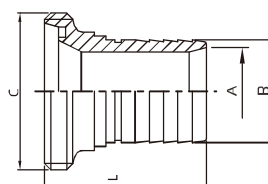
SIZE	A	B	L
10	18	22.5	9
15	24	28.5	9
20	30	36.5	11
25	35	44	13
32	41	50	13
40	48	56	13
50	61	68.5	14
65	79	86	16
80	93	100	16
100	114	121	20
125	137	150	22
150	163	176	24



DIN-14AHR HOSE ADAPTER
Part no: DINU11

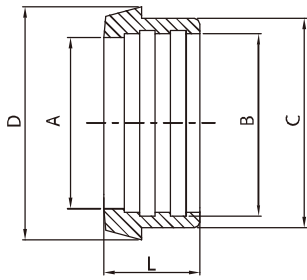
SIZE	A	B	C	L
25	22.2	25	44	67
32	28.7	32.2	50	71
40	34	38	56	78
50	47	50.5	68	89
65	59	63.2	86	100
80	71.5	75.5	100	108
100	95	100.8	121	120

DIN-15AHR HOSE ADAPTER
Part no: DINU12



SIZE	A	B	C	L
25	22.2	25	RD 52*1/6	69
32	28.7	32.2	RD 58*1/6	73
40	34	38	RD 65*1/6	80
50	47	50.5	RD 78*1/6	90
65	59	63.2	RD 95*1/6	108
80	71.5	75.5	RD 110*1/4	116
100	95	100.8	RD 130*1/4	128

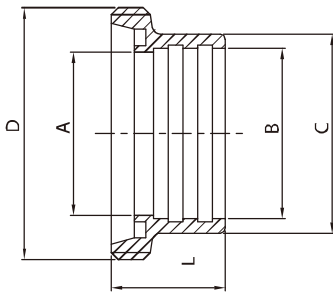
DIN-14R EXPANDING LINER



Part no: DINU13

SIZE	A	B	C	D	L
10	10	12.2	18	22	17
15	16	18.2	24	28	17
20	20	22.2	30	36	18
25	26	28.2	35	44	22
32	32	34.2	41	50	25
40	38	40.2	48	56	26
50	50	52.2	61	68	28
65	66	70.3	79	86	32
80	81	85.3	93	100	37
100	100	104.3	114	121	44
125	125	129.3	137	150	34
150	150	154.3	163	176	37

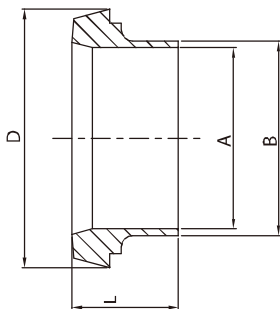
DIN-15R EXPANDING MALE



Part no: DINU14

SIZE	A	B	C	D	L
10	10	12.2	18	RD 28*1/8	21
15	16	18.2	24	RD 34*1/8	21
20	20	22.2	30	RD 44*1/6	24
25	26	28.2	35	RD 52*1/6	29
32	32	34.2	41	RD 58*1/6	32
40	38	40.2	48	RD 65*1/6	33
50	50	52.2	61	RD 78*1/6	35
65	66	70.3	79	RD 95*1/6	40
80	81	85.3	93	RD 110*1/4	45
100	100	104.3	114	RD 130*1/4	54
125	125	129.3	137	RD 160*1/4	46
150	150	154.3	163	RD 190*1/4	50

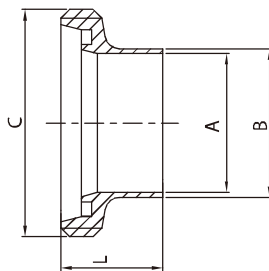
DIN-14I IMPERIAL WELDING LINER



Part no: DINU15

SIZE	A	B	D	L
1/2"	9.4	12.7	22	17
3/4"	15.75	19.05	36	18
1"	22.1	25.4	44	22
1 1/2"	34.8	38.1	56	26
2"	47.5	50.8	68	28
2 1/2"	60.2	63.5	86	32
3"	72.9	76.2	100	37
4"	97.6	101.6	121	44

DIN-15I IMPERIAL WELDING MALE

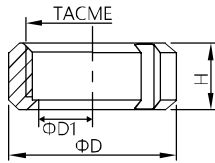


Part no: DINU16

SIZE	A	B	C	L
1/2"	9.4	12.7	RD 28*1/8	21
3/4"	15.75	19.05	RD 44*1/6	24
1"	22.1	25.4	RD 52*1/6	29
1 1/2"	34.8	38.1	RD 65*1/6	33
2"	47.5	50.8	RD 78*1/6	35
2 1/2"	60.2	63.5	RD 95*1/6	40
3"	72.9	76.2	RD 110*1/4	45
4"	97.6	101.6	RD 130*1/4	54

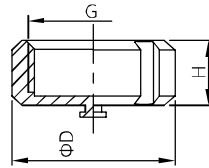
由任.FORGED UNION

SMS UNION



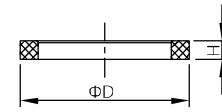
SMS-13R ROUND NUT 6 SLOTS
Part no:SMSU01

Size	D	D1	G	H
ø25	50	32	Rd40×1/6	20
ø32	60	40	Rd48×1/6	21
ø38	72	51	Rd60×1/6	22
ø51	82	60.5	Rd70×1/6	23
ø63	98	75	Rd85×1/6	26
ø76	112	86	Rd98×1/6	27
ø89	125	100	Rd110×1/6	28
ø102 小	140	113	Rd125×1/6	30
ø102 大	148	120.5	Rd132×1/6	31



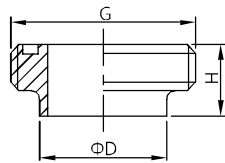
SMS-13RBN ROUND BLANK NUT
Part no:SMSU02

Size	D	G	H
ø25	50	Rd40×1/6	20
ø32	60	Rd48×1/6	21
ø38	72	Rd60×1/6	22
ø51	82	Rd70×1/6	23
ø63	98	Rd85×1/6	26
ø76	112	Rd98×1/6	27
ø89	125	Rd110×1/6	28
ø102 小	140	Rd125×1/6	30
ø102 大	148	Rd132×1/6	31



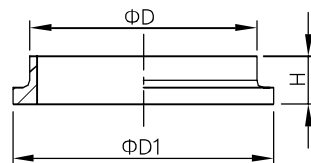
SEAL RING L TYPE
(EPDM, SILICONE, VITON)
Part no:SMSU03

Size	D1	H
ø25	31.8	5.5
ø32	40	5.5
ø38	48	5.5
ø51	61	5.5
ø63	73	5.5
ø76	86	6
ø89	98	6
ø102	114	6



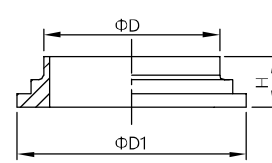
SMS SHORT WELDING MALE
Part no:SMSU04

Size	D	G	H
ø25	25.4	Rd40×1/6	18
ø32	31.8	Rd48×1/6	19
ø38	38.1	Rd60×1/6	21
ø51	50.8	Rd70×1/6	21
ø63	63.5	Rd85×1/6	24
ø76	76.2	Rd98×1/6	24
ø89	89	Rd105×1/6	24
ø102	101.6	Rd125×1/4	27
ø102	101.6	Rd132×1/6	30



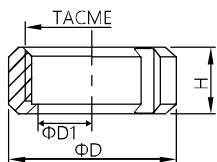
SMS SHORT WELDING LINER
Part no:SMSU05

Size	D	D1	H
ø25	25.4	35.5	14
ø32	31.8	43.5	14
ø38	38.1	55.5	14
ø51	50.8	65.5	15
ø63	63.5	80	15
ø76	76.2	90	16
ø89	89	105	16
ø102	101.6	118	17
ø102	101.6	127.5	19

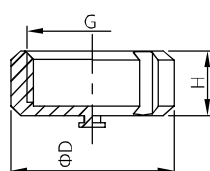


SMS SHORT WELDING LINER(Stepped)
Part no:SMSU06

Size	D	D1	H
ø25	25.4	35.5	14
ø32	31.8	43.5	14
ø38	38.1	55.5	14
ø51	50.8	65.5	15
ø63	63.5	80.5	15
ø76	76.2	90	16
ø89	89	105	16
ø102	101.6	118	17
ø102	101.6	127.5	19



Part no:SMSU07

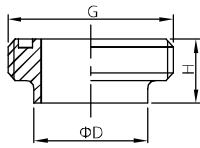


Part no:SMSU08

SMS LONG TYPE ROUND NUT/BLIND NUT

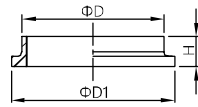
Size	D	G	H
ø25	51	Rd40×1/6	20
ø38	74	Rd60×1/6	25
ø51	84	Rd70×1/6	26
ø63	100	Rd85×1/6	30
ø76	114	Rd98×1/6	32
ø102 小	140	Rd125×1/6	32
ø102 大	154	Rd132×1/6	45

SMS UNION



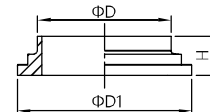
SMS LONG WELDING MALE
Part no:SMSU09

Size	D	G	H
ø25	25.4	Rd40×1/6	19
ø38	38.1	Rd60×1/6	23
ø51	50.8	Rd70×1/6	23
ø63	63.5	Rd85×1/6	27
ø76	76.2	Rd98×1/6	27
ø102 小	101.6	Rd125×1/6	30
ø102 大	101.6	Rd132×1/6	35



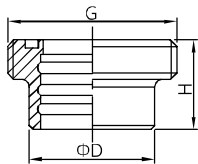
SMS LONG WELDING LINER
Part no:SMSU10

Size	D	D1	H
ø25	25.4	35.5	15.5
ø38	38.1	55.5	16
ø51	50.8	65.5	17
ø63	63.5	80	17
ø76	76.2	93	19
ø102 小	101.6	118	19
ø102 大	101.6	127.5	19



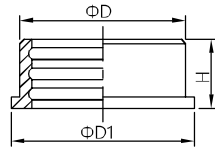
SMS LONG WELDING LINER (STEPPED)
Part no:SMSU11

Size	D	D1	H
ø25	25.4	35.5	15.5
ø38	38.1	55.5	16
ø51	50.8	65.5	17
ø63	63.5	80.5	17
ø76	76.2	93.5	19
ø102 小	101.6	118	19
ø102 大	101.6	127.5	19



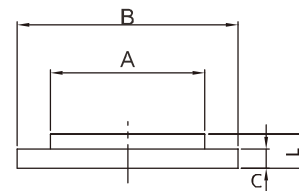
SMS-15R EXPANDING MALE
Part no:SMSU12

Size	D	G	H
ø25	25.6	Rd40×1/6	20
ø32	32.2	Rd48×1/6	20
ø38	38.2	Rd60×1/6	23
ø51	51.2	Rd70×1/6	25
ø63	63.7	Rd85×1/6	30
ø76	76.4	Rd98×1/6	35
ø102 小	101.8	Rd125×1/6	30
ø102 大	104.2	Rd132×1/6	30



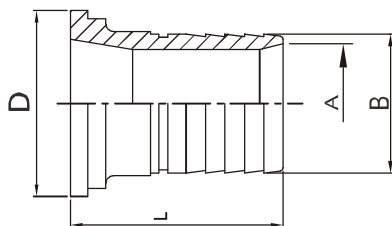
SMS-14R EXPANDING LINER
Part no:SMSU13

Size	D	D1	H
ø25	32	35.5	17
ø32	40	43.5	17
ø38	47.9	55	20
ø51	60.4	65	20
ø63	73.5	80	25
ø76	86.5	93	30
ø102 小	112.5	118	27
ø102 大	112.5	118	27



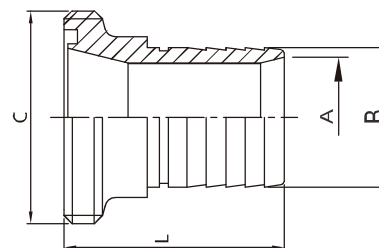
SMS-14B BLANK END CAP
Part no:SMSU14

SIZE	A	B	C	L
25	32	35.5	3.5	7.5
38	48	55	5	9
50	60	65	5	10
63	73.5	80	5	10
76	86	93	5	11
104	118	118	6	11
104-B	128	128	6	11



SMS-14AHR HOSE ADAPTER
Part no:SMSU15

SIZE	A	B	D	L
25	22.2	25	35.5	60.5
38	34	38	55	72
50	47	50.5	65	82
63	59	63.2	80	95
76	71.5	75.5	93	97
104	95	100.8	118	109

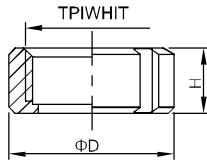


SMS-15AHR HOSE ADAPTER
Part no:SMSU16

SIZE	A	B	C	L
25	22.2	25	RD 40*1/6	64
38	34	38	RD 60*1/6	79
50	47	50.5	RD 70*1/6	89
63	59	63.2	RD 85*1/6	102
76	71.5	75.5	RD 98*1/6	105
104	95	100.8	RD125*1/4	120

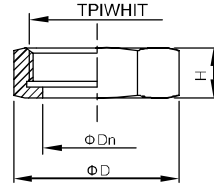
由任.FORGED UNION

RJT UNION



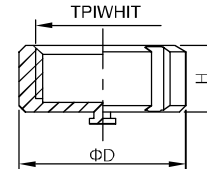
RJT ROUND NUT
Part no:RJTU01

Size	D	D1	TPIWHIT	H
1"	33.3	58.5	45.7×8	22
1 1/2"	46	74	58.4×8	22
2"	58.7	85.5	72.7×6	22
2 1/2"	71.4	98.5	85.4×6	22
3"	84.1	111.6	98.1×6	22
4"	109.7	138	123.5×6	22
6"	163	197	174.3×6	23.5



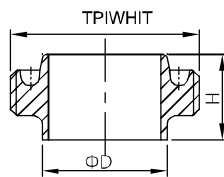
RJT HEX NUT
Part no:RJTU02

Size	D	D1	TPIWHIT	H
1"	33.3	58.66	45.7×8	22
1 1/2"	46	73.9	58.4×8	22
2"	58.7	90.07	72.7×6	22
2 1/2"	71.4	105.08	85.4×6	22
3"	84.1	120.09	98.1×6	22
4"	109.7	150.11	123.5×6	22
6"	163	203.5	174.3×6	24



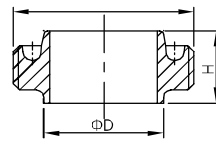
RJT BLIND NUT
Part no:RJTU03

Size	D	TPIWHIT	H
1"	56	45.7×8	22
1 1/2"	69	58.4×8	22
2"	83	72.7×6	22
2 1/2"	97	85.4×6	22
3"	110	98.1×6	22
4"	136	123.5×6	22
6"	197	174.3×6	23.5



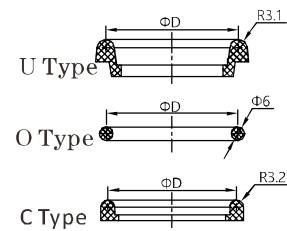
RJT LONG MALE
Part no:RJTU04

Size	D	TPIWHIT	H
1"	25.65	45.7×8	27
1 1/2"	38.35	58.4×8	27
2"	51.05	72.7×6	27
2 1/2"	63.75	85.4×6	27
3"	76.45	98.1×6	27
4"	101.85	123.5×6	27
6"	152.4	174.3×6	24



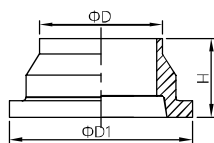
RJT SHORT MALE
Part no:RJTU05

Size	D	TPIWHIT	H
1"	25.65	45.7×8	21.5
1 1/2"	38.35	58.4×8	21.5
2"	51.05	72.7×6	21.5
2 1/2"	63.75	85.4×6	21.5
3"	76.45	98.1×6	21.5
4"	101.85	123.5×6	21.5



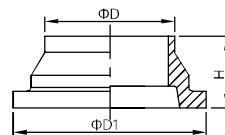
RJT SEAL RING
Part no:RJTU06

Size	D
1"	33.3
1 1/2"	46
2"	58.7
2 1/2"	71.4
3"	84.1
4"	109.5
6"	162.6



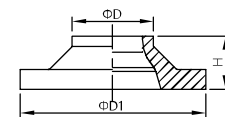
RJT LONG LINER(AS)
Part no:RJTU07

Size	D	D1	H
1"	25.65	41.3	27
1 1/2"	38.35	54	27
2"	51.05	66.7	27
2 1/2"	63.75	79.4	27
3"	76.45	92.1	27
4"	101.85	117.5	27



RJT SHORT LINER(AS)
Part no:RJTU08

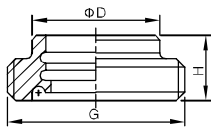
Size	D	D1	H
1"	25.65	41.3	19.5
1 1/2"	38.35	54	19.5
2"	51.05	66.7	19.5
2 1/2"	63.75	79.4	19.5
3"	76.45	92.1	19.5
4"	101.85	117.5	19.5
6"	152.4	169.1	23.5



RJT LINER(BS)
Part no:RJTU09

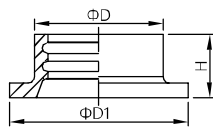
Size	D	D1	H
1"	25.65	41.3	10/12.7
1 1/2"	38.35	54	10/12.7
2"	51.05	66.7	10/12.7
2 1/2"	63.75	79.4	10/12.7
3"	76.45	92.1	10/12.7
4"	101.85	117.5	12.7/25.4

DANSK UNION



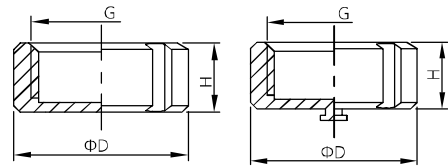
RJT EXPANDING MALE
Part no:SMSU10

Size	D	TPI	WHIT	H
1"	32.5	45.7	8	20
1 1/2"	45.2	58.4	8	24
2"	57.9	72.7	6	28
2 1/2"	70.6	85.4	6	32
3"	83.3	98.1	6	32
4"	108.7	123.8	6	32



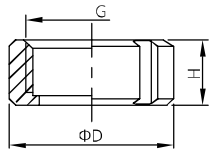
RJT EXPANDING LINER
Part no:SMSU11

Size	D	D1	H
1"	32.5	41.3	20
1 1/2"	45.2	54	24
2"	57.9	66.7	28
2 1/2"	70.6	79.4	32
3"	83.3	92.1	32
4"	108.7	117.5	32



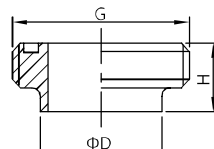
DS BLIND NUT
Part no:DSKU01

Size	D	G	H
1"	57	Rd44×1/6	20
1 1/4"	65	Rd52×1/6	20
1 1/2"	71	Rd58×1/6	20
2"	86	Rd72×1/6	22
2 1/2"	103	Rd88×1/6	24
3"	115	Rd100×1/6	25
4"	148	Rd130×1/4	30



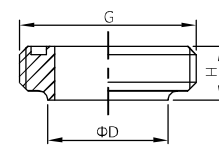
DS ROUND NUT
Part no:DSKU02

Size	D1	D	G	H
1"	34.8	57	Rd44×1/6	20
1 1/4"	42.5	65	Rd52×1/6	20
1 1/2"	48.5	71	Rd58×1/6	20
2"	62.5	86	Rd72×1/6	22
2 1/2"	76.5	103	Rd88×1/6	24
3"	88.5	115	Rd100×1/6	25
4"	117	148	Rd130×1/4	30



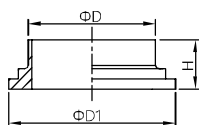
DS LONG MALE
Part no:DSKU03

Size	D	G	H
1"	25	Rd44×1/6	20
1 1/4"	32	Rd52×1/6	20
1 1/2"	38	Rd58×1/6	20
2"	51	Rd72×1/6	22
2 1/2"	63.5	Rd88×1/6	24
3"	76	Rd100×1/6	25
4"	101.6	Rd130×1/4	30



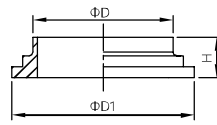
DS SHORT MALE
Part no:DSKU04

Size	D	G	H
1"	25	Rd44×1/6	18.5
1 1/2"	38	Rd58×1/6	20
2"	51	Rd72×1/6	20
2 1/2"	63.5	Rd88×1/6	24
3"	76	Rd100×1/6	24
4"	101.6	Rd130×1/4	24



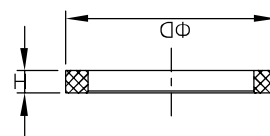
DS LONG LINER
Part no:DSKU05

Size	D	D1	H
1"	25	39.5	16
1 1/4"	32	47.5	16
1 1/2"	38	53.5	18
2"	51	67.5	20
2 1/2"	63.5	83.5	22
3"	76	95.5	24
4"	101.6	123.5	30



DS SHORT LINER
Part no:DSKU06

Size	D	D1	H
1"	25	39.5	11
1 1/2"	38	53.5	11
2"	51	67.5	11
2 1/2"	63.5	83.5	12
3"	76	95.5	12
4"	101.6	123.5	12



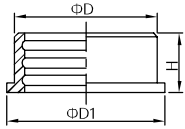
DS SEAL
Part no:DSKU07

Size	D	H
1"	32.2	5.5
1 1/4"	41	5.5
1 1/2"	47	5.5
2"	59	5.5
2 1/2"	74.5	5.5
3"	88	5.5
4"	116	5.5

由任.FORGED UNION

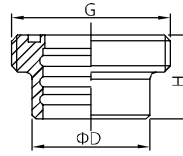
DANSK UNION

DS EXPANDING LINER
Part no:DSKU08



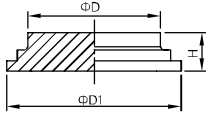
Size	D	D1	H
1"	32	39.5	16
1 1/4"	40	47.5	16
1 1/2"	47.9	53.5	18
2"	60.4	67.5	20
2 1/2"	73.5	83.5	22
3"	86.5	95.5	24
4"	112.5	123.5	30

DS EXPANDING MALE
Part no:DSKU09



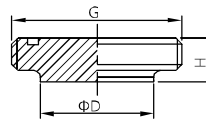
Size	D	G	H
1"	25.2	Rd44×1/6	20
1 1/4"	32.2	Rd52×1/6	20
1 1/2"	38.2	Rd58×1/6	22
2"	51.2	Rd72×1/6	24
2 1/2"	63.7	Rd88×1/6	26
3"	76.4	Rd100×1/6	28
4"	101.8	Rd130×1/4	34

DS BLANK LINER
Part no:DSKU10



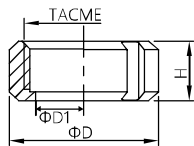
Size	D	D1	H
1"	25	39.5	16
1 1/4"	32	47.5	16
1 1/2"	38	53.5	18
2"	51	67.5	20
2 1/2"	63.5	83.5	22
3"	76	95.5	24
4"	101.6	123.5	30

DS BLANK MALE
Part no:DSKU11



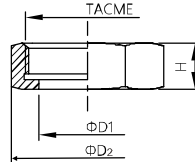
Size	D	G	H
1"	25	Rd44×1/6	20
1 1/4"	32	Rd52×1/6	20
1 1/2"	38	Rd58×1/6	22
2"	51	Rd72×1/6	24
2 1/2"	63.5	Rd88×1/6	26
3"	76	Rd100×1/6	28
4"	101.6	Rd130×1/4	34

IDF/ISO UNION

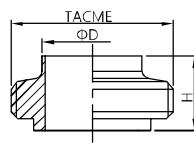


ISO/IDF NUT
Part no:ISOU01

Size	D1	TACME	D	D2	H
1"	30.5	38.3×8	48	53.1	30
1 1/2"	45	51.8×8	62	69.3	30
2"	57	65.3×8	76	86.6	30
2 1/2"	70.7	78.8×8	90	103.9	30
3"	83.3	92.3×8	103	121.2	30
4"(ISO)	110	119.4×8	133	155.9	35
4"(IDF)	112	127.2×6	142	165.1	35

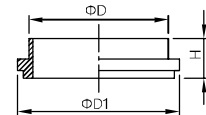


ISO BLIND NUT
Part no:ISOU02



ISO/IDF MALE
Part no:ISOU03

Size	D		TACME	H
	ISO	IDF		
1"	25.6	25.4	37.13×8	21.5
1 1/2"	38.6	38.1	50.65×8	21.5
2"	51.6	50.8	64.16×8	21.5
2 1/2"	64.1	63.5	77.7×8	21.5
3"	76.7	76.2	91.2×8	21.5
4"(ISO)	102.5	-	118.4×8	21.5
4"(IDF)	-	101.6	125.9×6	30

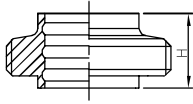


ISO/IDF LINER
Part no:ISOU04

Size	D		D1	H
	ISO	IDF		
1"	25.6	25.4	33.8	21.5
1 1/2"	38.6	38.1	47	21.5
2"	51.6	50.8	60.5	21.5
2 1/2"	64.1	63.5	74	21.5
3"	76.7	76.2	87.5	21.5
4"(ISO)	102.5	-	114.4	21.5
4"(IDF)	-	101.6	120.6	30

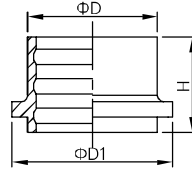
由任.FORGED UNION

IDF/ISO UNION



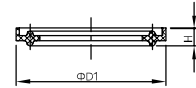
ISO/IDF EXPANDING MALE
Part no:ISOU05

	D	TACME	H
1"	29.2	37.13×8	16.5
1 1/2"	42.7	50.65×8	19.5
2"	56.2	64.16×8	19.5
2 1/2"	69.9	77.7×8	25
3"	82.6	91.2×8	30
4"	111.1	125.9×6	35



ISO/IDF EXPANDING LINER
Part no:ISOU06

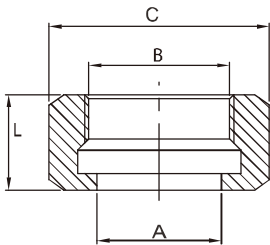
Size	D	D1	H
1"	25.5	33.8	20
1 1/2"	38.2	47	20
2"	50.9	60.5	25
2 1/2"	63.6	74	30
3"	76.3	84.5	30
4"	101.7	120.6	30



ISO/IDF GASKET
Part no:ISOU07

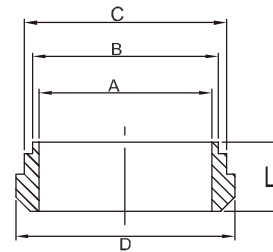
Size	D1	H
1"	32.5	7
1 1/2"	46	7
2"	59.5	7
2 1/2"	73	7
3"	86.5	7
4"(ISO)	113.1	7
4"(IDF)	119	9.6

3A UNION



3A HEX NUT
Part no:3AU01

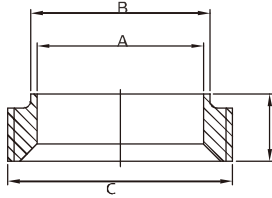
SIZE	A	B	C	L
1"	30.3	38.02 ACME 8TPI	46	23
1.5"	43.4	51.54 ACME 8TPI	61.1	24.6
2"	56.5	65.05 ACME 8TPI	76.2	27
2.5"	69.6	78.56 ACME 8TPI	91.3	29.6
3"	82.7	92.08 ACME 8TPI	106.4	32.5
4"	108.9	120.14 ACME 6TPI	137.6	38.1



3A-14PRF SHORT BEVEL SEAT WELD LINER
Part no:3AU02

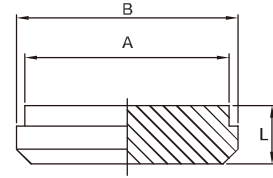
SIZE	A	B	C	D	L
1"	22.1	25.4	29.5	33.3	18.3
1.5"	34.8	38.1	42.6	46.8	18.3
2"	47.5	50.8	55.7	60.3	19.1
2.5"	60.2	63.5	68.8	73.8	22.3
3"	72.9	76.2	91.9	87.3	23.1
4"	97.6	101.6	108.1	114.3	26.2

3A UNION



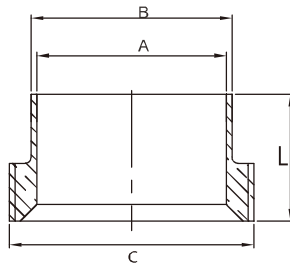
3A-15TRF SHORT BEVEL SEAT WELD MALE
Part no:3AU03

Size	A	B	C	L
1"	22.1	25.4	37.13ACME 8TPI	18.3
1.5"	34.8	38.1	50.65ACME 8TPI	18.3
2"	47.5	50.8	64.17ACME 8TPI	19.1
2.5"	60.2	63.5	77.67ACME 8TPI	22.2
3"	72.9	76.2	91.19ACME 8TPI	23.1
4"	97.6	101.6	119.25ACME 8TPI	26.2



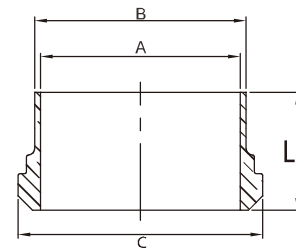
3A-16A BLANK END CAP
Part no:3AU04

Size	A	B	L
1"	29.5	33.3	11.9
1.5"	42.6	46.8	14.3
2"	55.7	60.3	15.9
2.5"	68.8	73.8	16.7
3"	81.9	87.3	18.3
4"	108	114.3	20.6



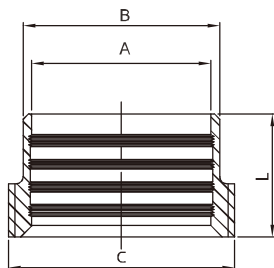
3A-15A LONG WELD MALE
Part no:3AU05

Size	A	B	C	L
1"	22.1	25.4	37.13ACME8TPI	34.9
1.5"	34.8	38.1	50.65ACME8TPI	38.1
2"	47.5	50.8	64.17ACME8TPI	38.1
2.5"	60.2	63.5	77.67ACME8TPI	44.5
3"	72.9	76.2	91.19ACME8TPI	44.5
4"	97.6	101.6	119.25ACME8TPI	44.5



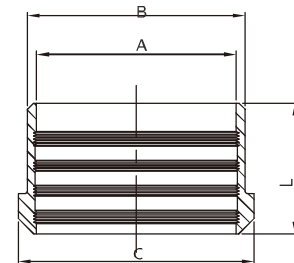
3A-14A LONG WELD LINER
Part no:3AU06

Size	A	B	C	L
1"	22.1	25.4	33.3	34.9
1.5"	34.8	38.1	46.8	38.1
2"	47.5	50.8	60.3	38.1
2.5"	60.2	63.5	73.8	44.5
3"	72.9	76.2	87.3	44.5
4"	97.6	101.6	114.3	44.5



3A-15R RECESSLESS MALE
Part no:3AU07

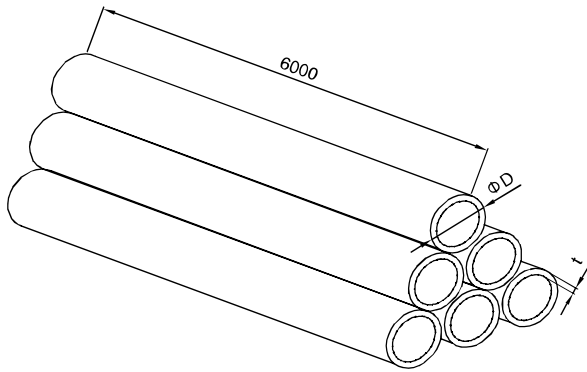
Size	A	B	C	L
1"	22.5	29.5	37.13ACME8TPI	20.6
1.5"	38.2	42.6	50.65ACME8TPI	28.6
2"	50.9	55.7	64.17ACME8TPI	34.9
2.5"	63.6	68.8	77.67ACME8TPI	38.1
3"	76.3	81.9	91.19ACME8TPI	41.3
4"	101.7	108.1	119.25ACME8TPI	41.3



3A-14R RECESSLESS LINER
Part no:3AU08

Size	A	B	C	L
1"	22.5	29.5	33.3	19.1
1.5"	38.2	42.6	46.8	28.6
2"	50.9	55.7	60.3	33.3
2.5"	63.6	68.8	73.8	34.9
3"	76.3	81.9	87.3	36.5
4"	101.7	108.1	114.3	38.1

卫生级钢管.SANITARY TUBE



Sanitary welded dairy tubes/Seamless tubes/BPE tubes

Material:SS316/SS304

Spec:ASTM A269/A270

Surface&Roughness:

- 1.OD/ID Pickle($Ra \leq 1.0 \mu m$)
- 2.OD/ID polished to 180 Grit($Ra \leq 0.8 \mu m$)
- 3.OD/ID polished to 240 Grit($Ra \leq 0.6 \mu m$)
- 4.OD/ID polished to 320 Grit($Ra \leq 0.5 \mu m$)
- 5.OD/ID polished to 420 Grit($Ra \leq 0.4 \mu m$)

DIN11850/11851					BS4825			ISO1127		
Size	D*t	D*t	D*t	D*t	Size	t	t	Size	OD	ID
DN10	12*1.0	13*1.5	14*1.5	12*1.5	12.7	1.2	1.2	26.9	26.9	23.7
DN15	18*1.0	19*1.5	20*1.5	18*1.5	15.88	1.2	1.2	33.7	33.7	29.7
DN20	22*1.0	23*1.5	24*1.5	22*1.5	19.05	1.2	1.2	42.4	42.4	38.4
DN25	28*1.0	29*1.5	30*1.5	28*1.5	25.4	1.2	1.6	48.3	48.3	44.3
DN32	34*1.0	35*1.5	36*1.5	34*1.5	38.1	1.2	1.6	60.3	60.3	56.3
DN40	40*1.0	41*1.5	42*2.0	40*1.5	50.8	1.2	1.6	76.2	76.2	72.2
DN50	52*1.0	53*1.5	54*2.0	52*1.5	63.5	1.6	1.6	88.9	88.9	84.9
DN65	70*2.0	70*2.0	70*2.0	70*2.0	76.2	1.6	1.6	114.3	114.3	110.0
DN80	85*2.0	85*2.0	85*2.0	85*2.0	101.6	2.0	2.0	139.7	139.7	135.7
DN100	104*2.0	104*2.0	104*2.0	104*2.0	114.3	2.0	2.0	168.3	168.3	161.5
DN125	129*2.0	129*2.0	129*2.0	129*2.0	139.7	2.0	2.0	219.1	219.1	213.9
DN150	154*2.0	154*2.0	154*2.0	154*2.0	168.3	2.6	2.6			
	Series 1	Series 2	Series 3	Recommended series	219.1	2.6	2.6			

ISO 2037			SMS			3A			IDF		
Size	D	t	Size	t	t	Size	D	t	Size	D	t
19	19.0	1.5	25	1.25	1.5	1 2 "	12.7	1.65	1 0 "	25.4	1.5
25	25.4	1.5	32	1.25	1.5	3/4 "	19.1	1.65	1 1/4 "	32.0	1.5
32	32.0	1.5	38	1.25	1.5	1.0 "	25.4	1.65	1 1/2 "	38.1	1.5
38	38.1	1.5	51	1.25	1.5	1.5 "	38.1	1.65	2.0 "	50.8	1.5
45	45.0	2.0	63	1.50	2.0	2.0 "	50.8	1.65	2 1/2 "	63.5	2.0
48	48.0	1.5	76	1.60	2.0	2.5 "	63.5	1.65	3.0 "	76.2	2.0
51	50.8	1.5	89	2.0	2.0	3.0 "	76.2	1.65	3 1/2 "	89.0	2.0
57	57.0	2.0	101.6	2.0	2.0	4.0 "	101.6	2.10	4.0 "	101.6	2.0
63	63.5	2.0				6.0 "	152.4	2.80	4 1/4 "	108.0	2.0
76	76.2	2.0				8.0 "	203.2	2.80			
80	85.0	2.0				10.0 "	254.0	3.40			
89	89.0	2.0				12.0 "	305.0	3.40			
102	101.6	2.0									
108	108.0	2.0									
133	133.0	3.0									
159	159.0	3.0									
219	219.0	4.0									

各国不锈钢牌号 Stainless Steel Standards of Different Countries

中 国	欧 盟	美 国	美 国	英 国	德 国	日 本
GB (China)	EN (Europa)	AISI (U. S. A)	ASTM (U. S. A)	BSI (U. K)	DIN (Germany)	JIS (Japan)
0Cr18Ni9 (06Cr19Ni10)	X5CrNi18-10	304	TP304	304 S 15 304 S 16	1. 4301	SUS304
00Cr19Ni10 (022Cr19Ni10)	X2 CrNi19-11	304L	TP304L	304 S 11	1. 4306	SUS304L
0Cr17Ni12Mo2 (06Cr17Ni12Mo2)	X5CrNiMo17-2-2	316	TP316	316 S 31	1. 4401	SUS316
00Cr17Ni14Mo2 (022Cr17Ni12Mo2)	X2CrNiMo17-2-2	316L	TP316L	316 S 11	1. 4404	SUS316L

化学成分与力学性能 Chemical Composition and Mechanics Property

中国 (GB)	钢种	碳	硅	锰	磷	硫	铬	钼	镍	力学性能			
		C	Si	Mn	P	S	Cr	Mo	Ni	屈服强度 $\sigma_{0.2}$ (Mpa) \geq	抗拉强度 σ_b (Mpa) \geq	延伸率 δ_5 %	硬度HB \leq
	304	0.07	1.0	2.0	0.035	0.030	18.0-20.0	/	8.0-11	205	520	40	187
	304L	0.03	1.0	2.0	0.035	0.030	18.0-20.0	/	8.0-12	177	480	40	187
	316	0.08	1.0	2.0	0.035	0.030	16.0-18.5	2.0-3.0	10-14	205	520	40	187
	316L	0.03	1.0	2.0	0.035	0.030	16.0-18.0	2.0-3.0	12-15	177	480	40	187

美国 (ASTM)	钢种	碳	硅	锰	磷	硫	铬	钼	镍	力学性能			
		C	Si	Mn	P	S	Cr	Mo	Ni	屈服强度 $\sigma_{0.2}$ (Mpa) \geq	抗拉强度 σ_b (Mpa) \geq	延伸率 δ_5 %	硬度HB \leq
	TP304	0.08	0.75	2.0	0.010	0.030	18.0-20.0	/	8.0-11	205	515	35	187
	TP304L	0.035	0.75	2.0	0.040	0.030	18.0-20.0	/	8.0-13	170	485	35	187
	TP316	0.08	0.75	2.0	0.040	0.030	16.0-18.0	2.0-2.5	10-14	205	515	35	187
	TP316L	0.035	0.75	2.0	0.040	0.030	16.0-18.0	2.0-2.5	12-15	170	485	35	187

日本 (JIS)	钢种	碳	硅	锰	磷	硫	铬	钼	镍	力学性能			
		C	Si	Mn	P	S	Cr	Mo	Ni	屈服强度 $\sigma_{0.2}$ (Mpa) \geq	抗拉强度 σ_b (Mpa) \geq	延伸率 δ_5 %	硬度HB \leq
	304	0.08	1.0	2.0	0.040	0.030	18.0-20.0	/	8.0-11	206	520	35	187
	304L	0.03	1.0	2.0	0.040	0.030	18.0-20.0	/	9.0-13	177	481	35	187
	316	0.08	1.0	2.0	0.040	0.030	16.0-18.0	2.0-3.0	10-14	206	520	35	187
	316L	0.03	1.0	2.0	0.040	0.030	16.0-18.0	2.0-3.0	12-16	177	481	35	187

美国 (AISI) 英国 (BSI) 德国 (DIN) 欧盟 (EN)	钢种	碳	硅	锰	磷	硫	铬	钼	镍	力学性能			
		C	Si	Mn	P	S	Cr	Mo	Ni	屈服强度 $\sigma_{0.2}$ (Mpa) \geq	抗拉强度 σ_b (Mpa) \geq	延伸率 δ_5 %	硬度HB \leq
	304	0.07	1.0	2.0	0.045	0.015	17.0-18.0	/	8.0-10	205	520	40	187
	304L	0.03	1.0	2.0	0.045	0.015	17.0-18.0	/	8.0-10	180	480	40	187
	316	0.08	1.0	2.0	0.045	0.015	16.5-18.0	2.0-2.5	10-13	205	520	40	187
	316L	0.03	1.0	2.0	0.045	0.015	16.5-18.0	2.0-2.5	10-13	180	480	40	187

OTHER PRODUCTS

Vacuum fittings



Stainless steel flange



Butt welded pipe fittings



Srewed fittings



Stainless pressing fittings

