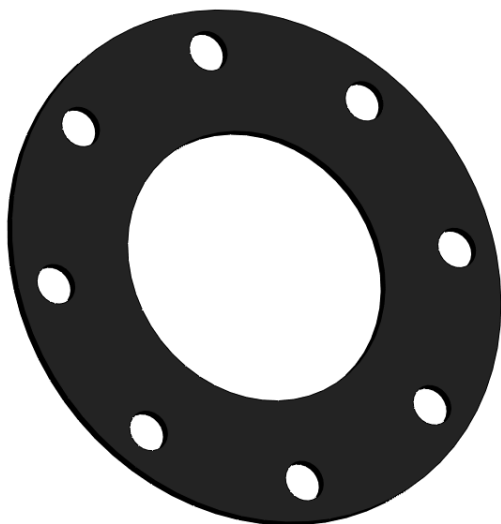
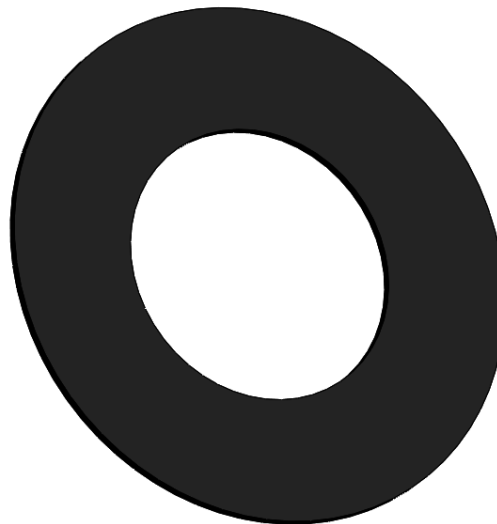


FLAT GASKETS FOR DIN/ANSI/BS FLANGES



Gasket « Full Face »



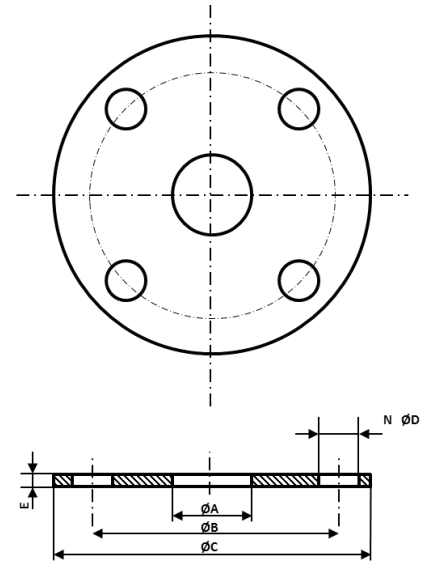
Gasket « Ring »

MAIN FEATURES

- Ideal product to ensure sealing between flanges
- Recognized quality of elastomers, FPM type SAFKM5 in particular.

FLAT GASKETS « FULL FACE » DN15 TO 600 – EPDM/FPM

Thickness E = 5 mm in EPDM
3 mm in FPM (SAFKM5)



DN	ØA	ØB			ØC		N ØD			EPDM		CODE FPM (SAFKM5)	
		DIN	ANSI	BS	DIN/ANSI	BS	DIN	ANSI	BS	DIN	ANSI	DIN	ANSI
15	17	65	60.3	66.7	95	95	4x14	4x16	4x14	2021-00E	2021A00E	2021-00Z	2021A00Z
20	22	75	69.8	73.0	105	102	4x14	4x16	4x14	2021-01E	2021A01E	2021-01Z	2021A01Z
25	27	85	79.4	82.6	115	114	4x14	4x16	4x14	2021-02E	2021A02E	2021-02Z	2021A02Z
32	35	100	88.9	87.3	140	121	4x18	4x16	4x14	2021-03E	2021A03E	2021-03Z	2021A03Z
40	42	110	98.4	98.4	150	133	4x18	4x16	4x14	2021-04E	2021A04E	2021-04Z	2021A04Z
50	52	125	120.6	114.3	165	152	4x18	4x19	4x17.5	2021-05E	2021A05E	2021-05Z	2021A05Z
65	67	145	139.7	127.0	185	165	4x18	4x19	4x17.5	2021-06E	2021A06E	2021-06Z	2021A06Z
80	82	160	152.4	146.0	200	184	8x18	4x19	8x17.5	2021-07E	2021A07E	2021-07Z	2021A07Z
100	102	180	190.5	177.8	220	216	8x18	8x19	8x17.5	2021-08E	2021A08E	2021-08Z	2021A08Z
125	127	210	215.9	209.6	250	254	8x18	8x22	8x17.5	2021-09E	2021A09E	2021-09Z	2021A09Z
150	152	240	241.3	235.0	285	279	8x23	8x22	8x17.5	2021-10E	2021A10E	2021-10Z	2021A10Z
200	202	295	298.4	292.1	340	337	8x22	8x22	8x17.5	2021-11E	2021A11E	2021-11Z	2021A11Z
250	252	350	361.9	355.6	395	406	12x22	12x25	8x22	2021-12E	2021A12E	2021-12Z	2021A12Z
300	302	400	431.8	406.4	445	457	12x22	12x25	12x22	2021-13E	2021A13E	2021-13Z	2021A13Z
350	352	460	476.2	469.9	505	527	16x22	12x29	12x25	2021-14E	2021A14E	2021-14Z	2021A14Z
400	402	515	539.8	520.7	565	578	16x26	16x29	12x25	2021-15E	2021A15E	2021-15Z	2021A15Z
450	452	565	577.8	584.2	615	641	20x26	16x32	12x25	2021-16E	2021A16E	2021-16Z	2021A16Z
500	502	620	635.0	641.4	670	705	20x26	20x32	16x25	2021-17E	2021A17E	2021-17Z	2021A17Z
600	602	725	749.3	755.6	780	826	20x30	20x35	16x29	2021-18E	2021A18E	2021-18Z	2021A18Z

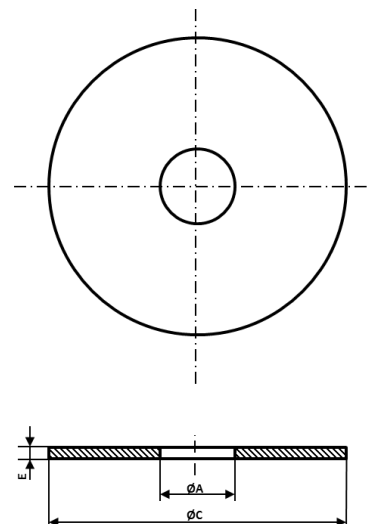
DIN = Drilling in accordance with EN 1092-1 PN10/PN16

ANSI = Drilling in accordance with EN1759-1/ASME B16.5 Class 150

FLAT GASKETS « RING » DN15 TO 150

Thickness E = 5 mm in EPDM
3 mm in FPM (SAFKM5)

DN	ØA	ØC	CODE	
			EPDM	FPM (SAFKM5)
15	17	50	2022-00M	2022-00Z
20	22	60	2022-01M	2022-01Z
25	27	70	2022-02M	2022-02Z
32	35	80	2022-03M	2022-03Z
40	43	90	2022-04M	2022-04Z
50	53	105	2022-05M	2022-05Z
65	68	125	2022-06M	2022-06Z
80	83	140	2022-07M	2022-07Z
100	103	160	2022-08M	2022-08Z
125	128	190	2022-09M	2022-09Z
150	153	215	2022-10M	2022-10Z



FLAT ENVELOPE GASKETS DIN FLANGES - PTFE + EPDM - DN15 TO 200

Thickness E = 3 mm in PTFE + EPDM

DN	ØA	ØC	CODE
15	21	51	0004-00P
20	27	61	0004-01P
25	34	71	0004-02P
32	43	82	0004-03P
40	48	91.5	0004-04P
50	60	106	0004-05P
65	76	126	0004-06P
80	90	142	0004-07P
100	114	162	0004-08P
125	140	192	0004-09P
150	168	218	0004-10P
200	219	273	0004-11P

