

CPV Series

Features



- N.O or N.C selection available
- Black anodized aluminum
- 12 months warranty
- Platinum silicone, Braid Reinforced Hoses
- Temperature range: -60/+180 °C
- FDA 21 CFR 177.2600
- U.S. Pharmacopoeia Class VI

Cylinder pinch valve is also known as pneumatic pinch valve, as it requires external pneumatic supply to support its function. It is commonly used to open or close a fluid path through pinching and squeezing the plastic flexible tube. There is also an option with proportionally controlling the distance in which the tube is squeezed which indirectly controls the flow rate.

The advantage of using a pinch valve is that it has no contact with the fluid, making it an ideal option for biotechnology processing, food industry, dosing system, blood process/analytical, CIP and SIP process, and biopharmaceutical equipment. Pneumatic pinch valve relies on the amount of external pneumatic pressure supplied to pinch the tube, and thus it provides a higher pinch force, making it suitable for tube with larger durometer or large outer diameter.





CPV Series

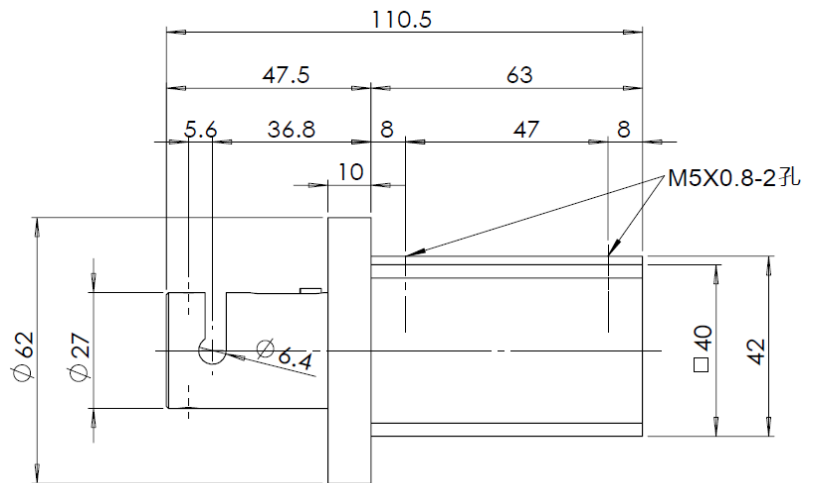
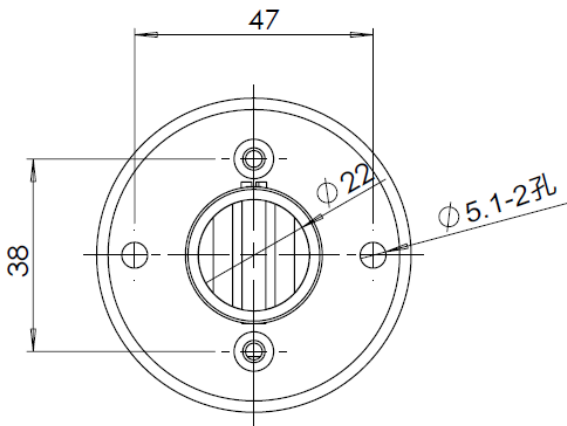
Order Number

Model	Minimum Thickness (mm)	Tubing I.D (mm)	Tubing O.D (mm)	Material	Durometer (Shore A)	Maximum Pressure (bar)
CPV-930-64	1.6	3.2	6.4	Pharma80	80	6
				PU	70-80	
				PVC	60-70	
CPV-931-80	1.2	5.6	8	PU	70-80	6
				PVC	60-70	
CPV-932-95	1.6	6.4	9.5	Pharma80	80	6
				PVC	60-70	
CPV-933-12	1.6	9.5	12.7	Pharma50	50	6
				PU	70-85	
CPV-934-15-NC	3.2	9.52	15.87	Silicon, Braid Reinforced	65	6
CPV-934-15-NO	3.2	9.52	15.87	Silicon, Braid Reinforced	65	
CPV-934-19	3.2	12.7	19.1	Silicon, Braid Reinforced	65	
CPV-934-20	3.8	12.7	20.3	Silicon, Braid Reinforced	65	
CPV-935-25	3.2	15.9	25.4	Silicon, Braid Reinforced	60-65	6
CPV-935-28-NC	4.5	19	28	Silicon, Braid Reinforced	60-65	
CPV-935-28-NO	4.5	19	28	Silicon, Braid Reinforced	60-65	
CPV-936-35	4.8	25.4	35	PVC	60	6

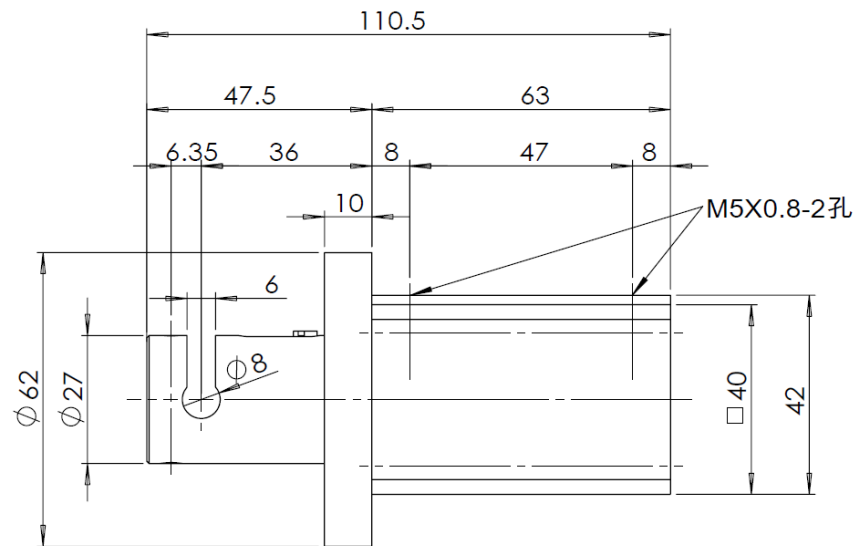
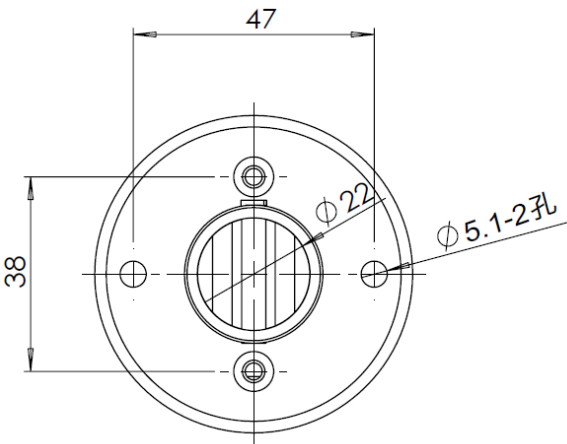
CPV Series

Dimensions

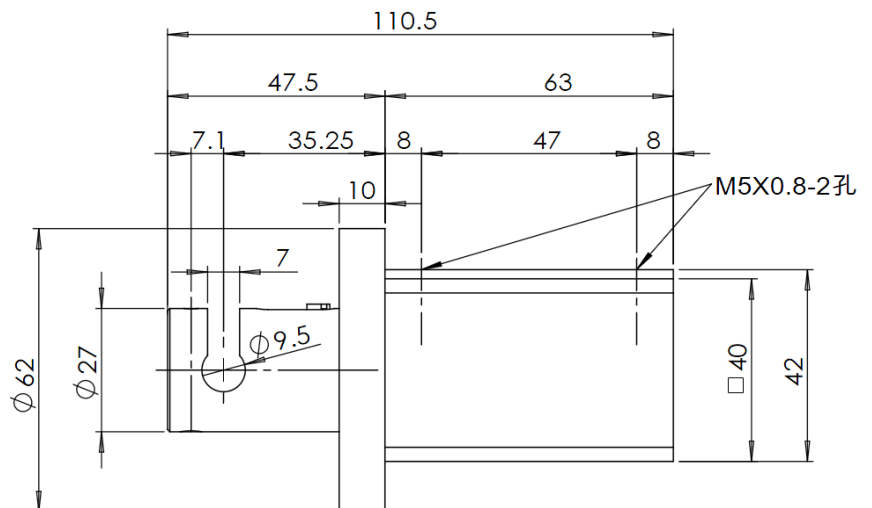
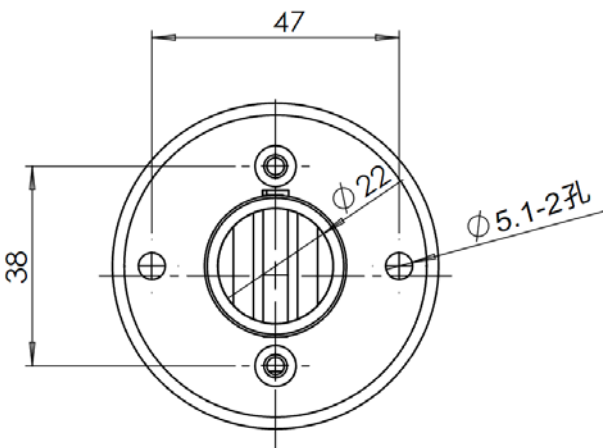
◆ CPV-930-64



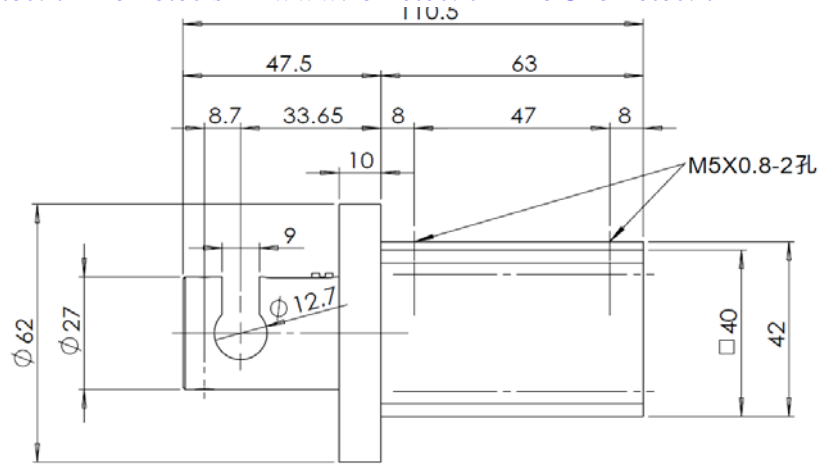
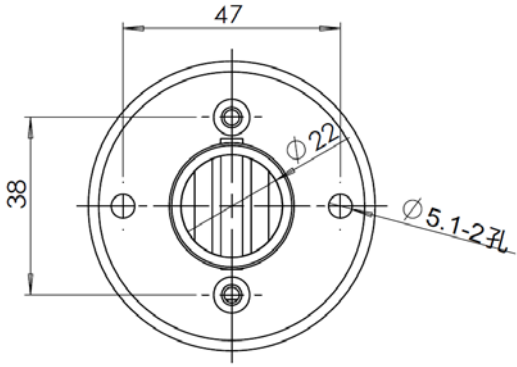
◆ CPV-931-80



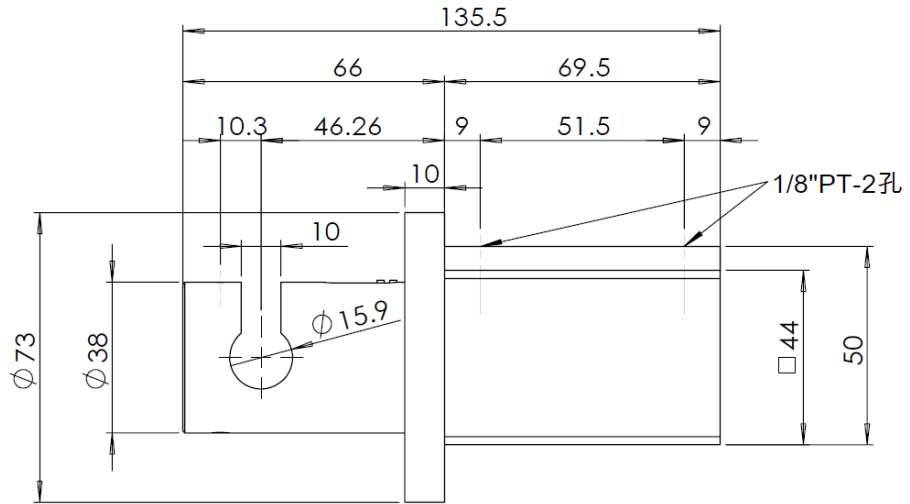
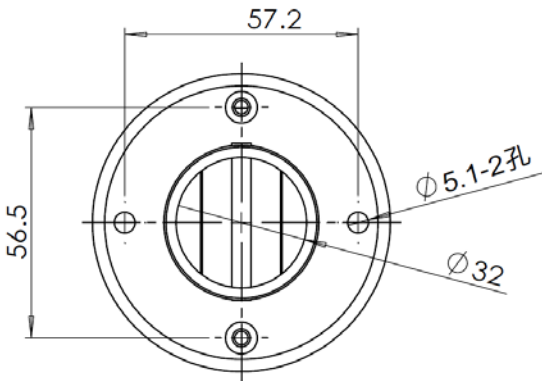
◆ CPV-932-95



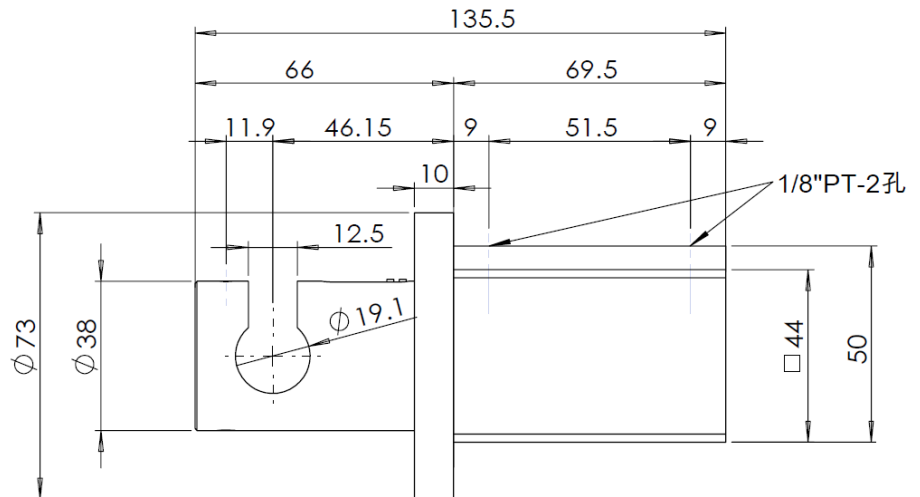
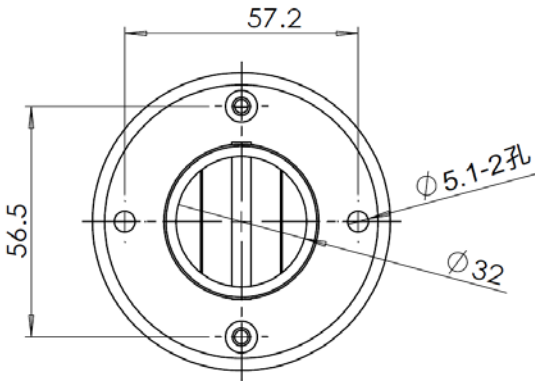
◆ CPV-933-12



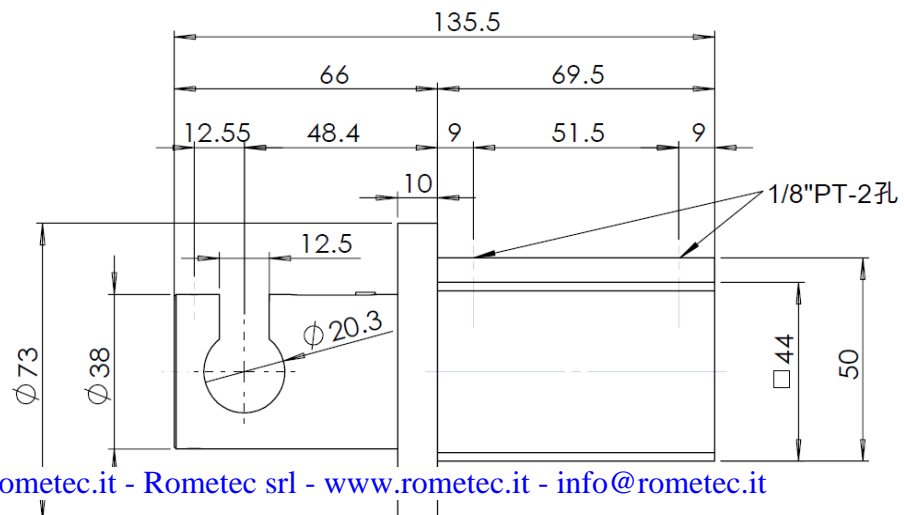
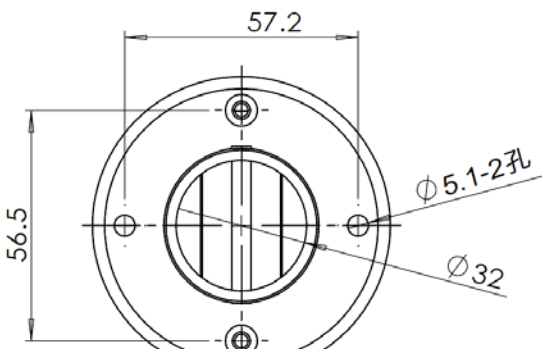
◆ CPV-934-15

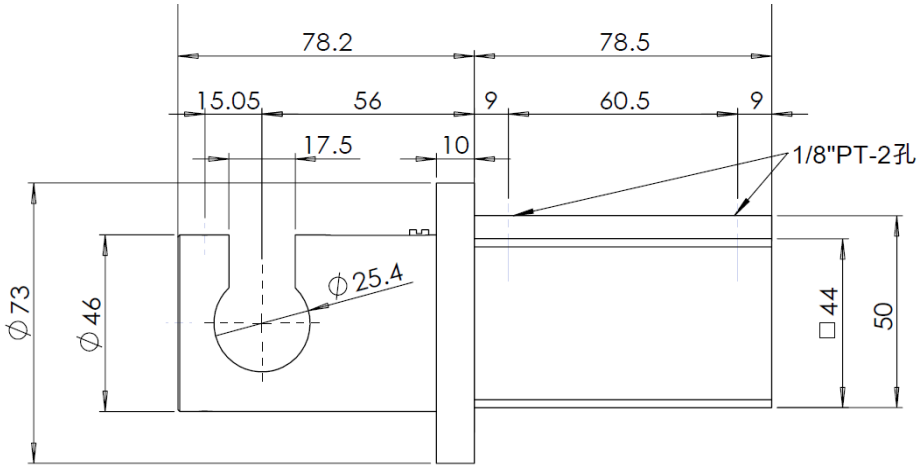
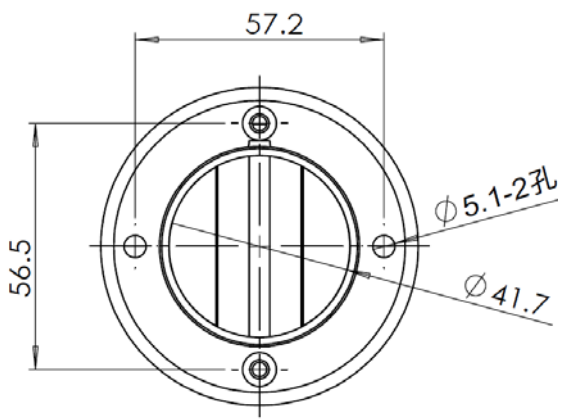


◆ CPV-934-19

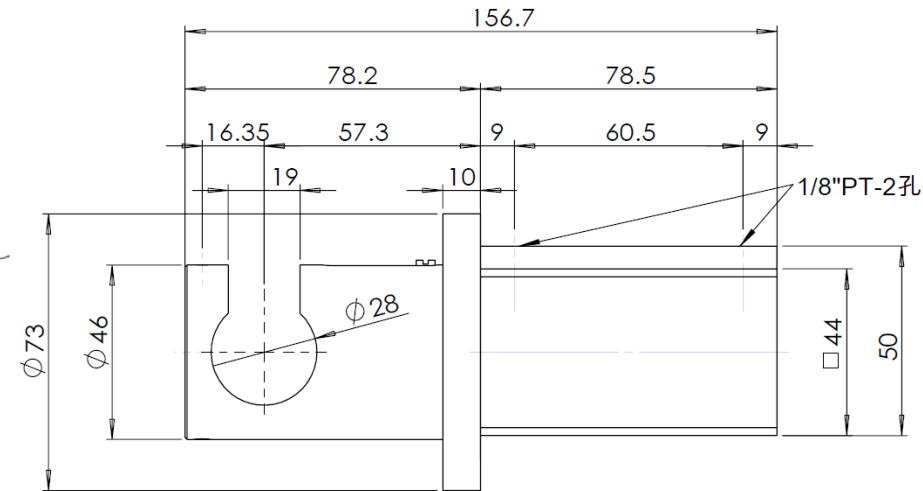
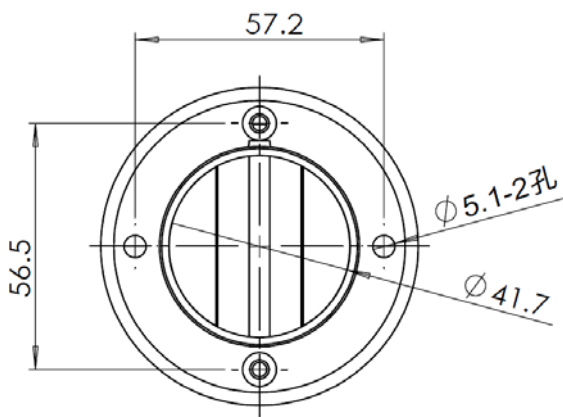


◆ CPV-934-20

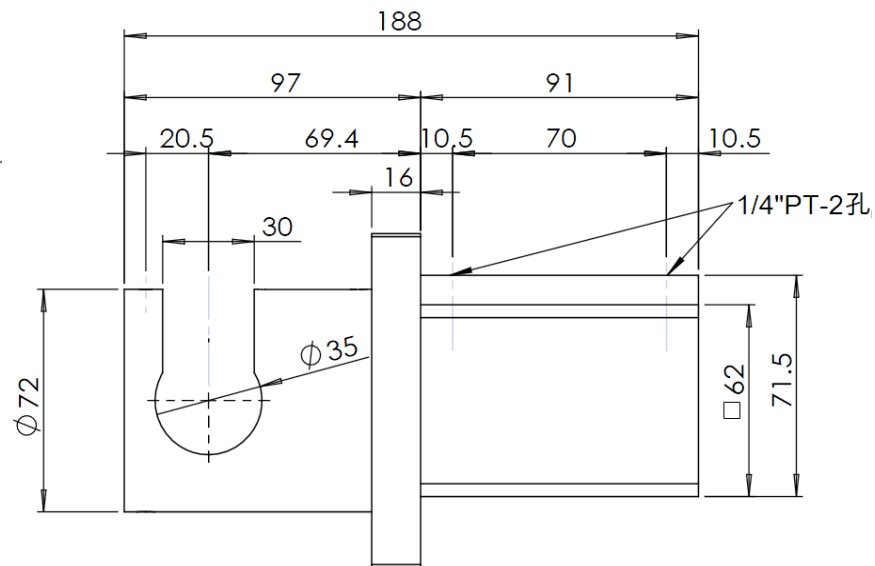
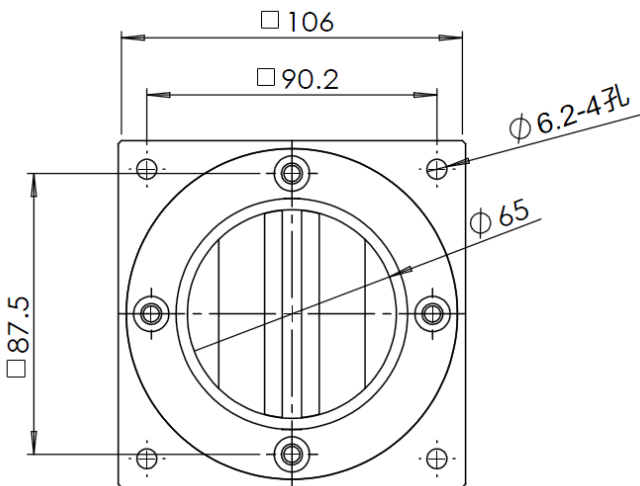




◆ CPV-935-28



◆ CPV-936-35



All Series



Precautions for use

1. Do not operate in locations having an atmosphere of corrosive gases, chemicals, sea water, or where there will be contact with the same.
2. Do not apply higher than the allowable operating pressure in the tube, this will result in fluid leakage or tube burst.
3. It is advised to replace the tube from time to time to avoid tube bursting.
4. To avoid damaging the solenoid in solenoid-operated pinch valve, do not apply higher than designated power continuously. The coil may heat up and do not touch the coil with hands.
5. In locations which receive direct sunlight or raining, please provide a protective cover.
6. The product will be out of warranty period should the product be dis-assembled or re-assembled.
7. The product cannot be used as an emergency shut-off. The system should be installed with a safety device to prevent damage to the system.



Warranty

KaoLu Ent. Co. Ltd. products are warranted to the original purchaser only against defects in material or workmanship for 6 months from the date of manufacture. The extent of KaoLu's liability under this warranty is limited to repair or replacement of the defective unit at KaoLu's option. KaoLu shall have no liability under this warranty where improper installation or filtration occurred.