

## APV Series



### Features

- Small, compact design
- Low power consumption
- Hygienic and easy to clean(replace tubes)
- High cycle life
- Can handle whole blood and particulate matter
- Unobstructed flow path
- Tubing is easily replaceable



APV electronic pinch valve is solenoid-operated pinch valve that is designed to open and close tubes for controlling flow of liquids and gases. Other valve types have internal dead volume that may cause small amounts of fluid to remain in the valve.

Pinch valves have no dead volume where fluid can become trapped. Only the inside of the tubing contacts the fluid. Energizing the solenoid retracts or attracts the plunger, which opens or closes the tube. De-energizing the solenoid will allow the plunger to return to its original state. Normally open and normally closed options are available.



# APV Series

## Specifications

Valve Type	2-way NC 、 2-way NO	Voltage	24 VDC
Medium	Air 、 Water 、 Gas 、 Compatible fluids	Electrical Connections	18" wire leads
Operating Pressure	20 to 30 psi	Wetted Materials	Medical grade silicone tubing
Power Consumption	1.0 to 7.2 watts	Tube size	O.D 6mm、 O.D 8mm
Response Time	5 to 25 ms		

## Order Number

APV —  —

動作方式  
Action

NC	常閉
	Normally Closed
NO	常開
	Normally Open

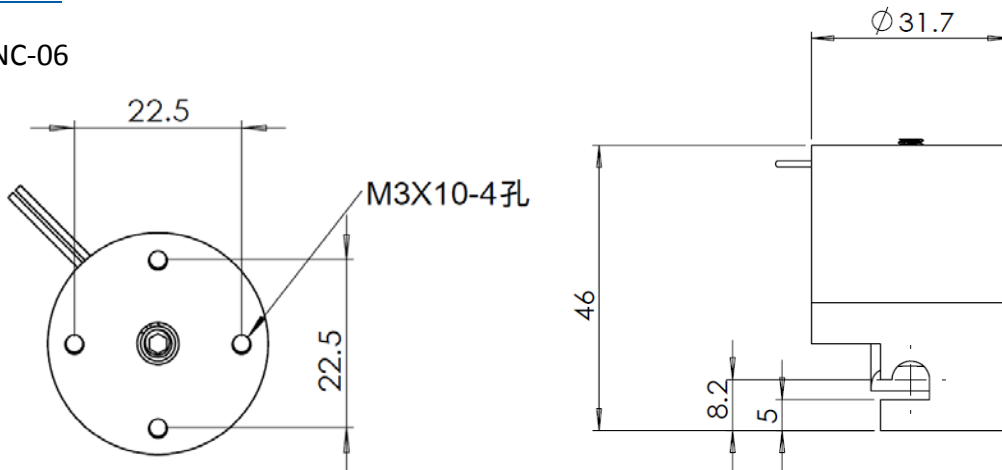
管外徑 Tube O.D.

06	6 mm
08	8 mm

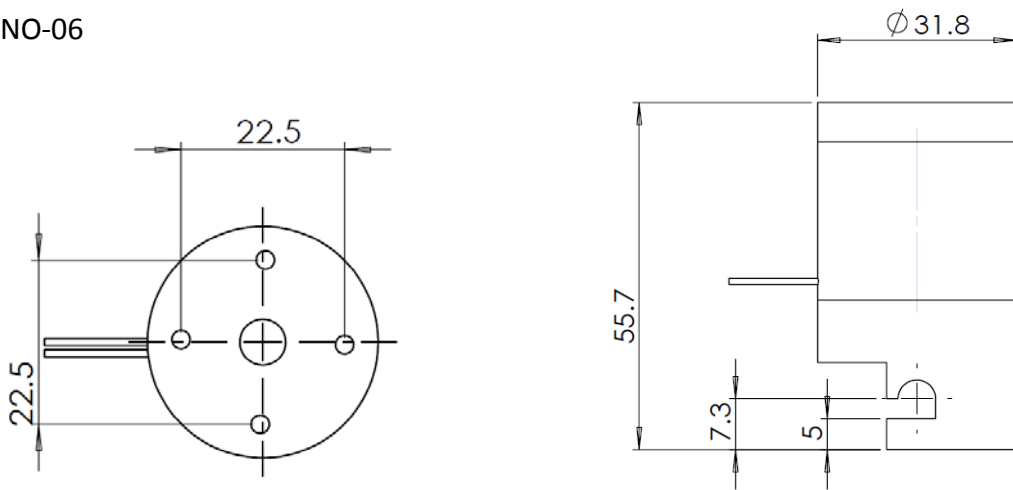
# APV Series

## Dimensions

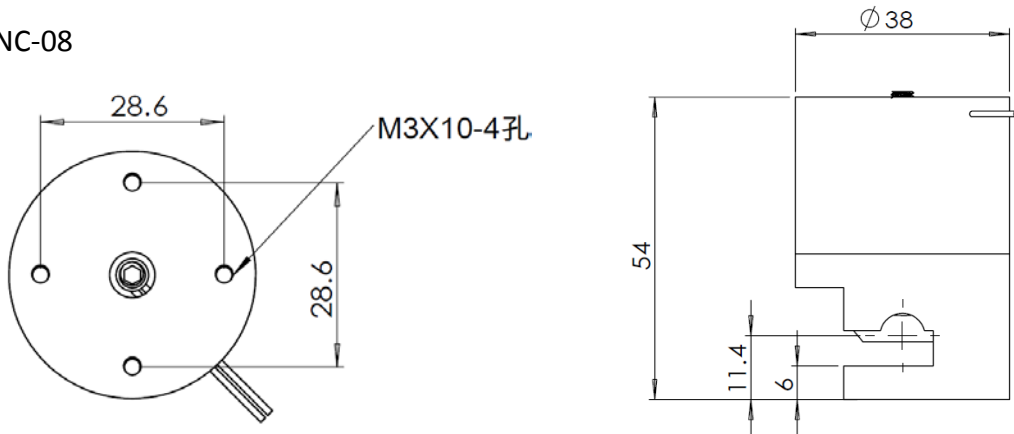
### ◆ APV-NC-06



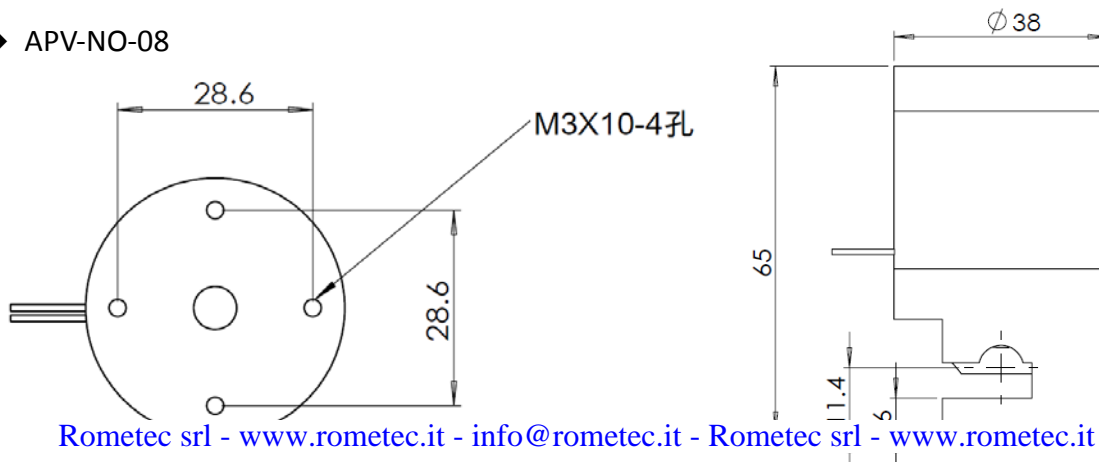
### ◆ APV-NO-06



### ◆ APV-NC-08



### ◆ APV-NO-08



## All Series



### Precautions for use

1. Do not operate in locations having an atmosphere of corrosive gases, chemicals, sea water, or where there will be contact with the same.
2. Do not apply higher than the allowable operating pressure in the tube, this will result in fluid leakage or tube burst.
3. It is advised to replace the tube from time to time to avoid tube bursting.
4. To avoid damaging the solenoid in solenoid-operated pinch valve, do not apply higher than designated power continuously. The coil may heat up and do not touch the coil with hands.
5. In locations which receive direct sunlight or raining, please provide a protective cover.
6. The product will be out of warranty period should the product be dis-assembled or re-assembled.
7. The product cannot be used as an emergency shut-off. The system should be installed with a safety device to prevent damage to the system.



### Warranty

KaoLu Ent. Co. Ltd. products are warranted to the original purchaser only against defects in material or workmanship for 6 months from the date of manufacture. The extent of KaoLu's liability under this warranty is limited to repair or replacement of the defective unit at KaoLu's option. KaoLu shall have no liability under this warranty where improper installation or filtration occurred.