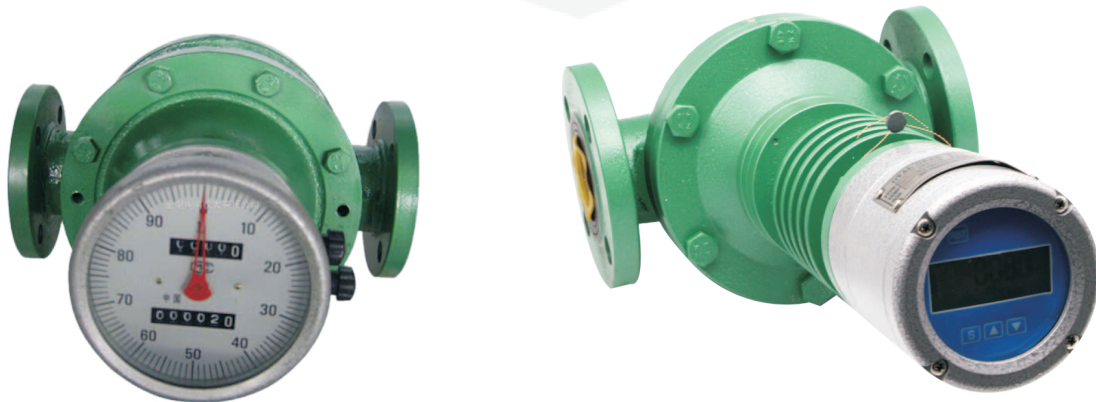


High Viscosity Oval Gear Flowmeter



GOG300



PRODUCT DESCRIPTION

As one of the typical positive displacement flow meter, GOG300 oval gear flow meter is used to measure liquid flow rate with viscosity 200-3000mpa.s in pipelines under certain pressure and -10~+10°C. Since it adopts advantage of simple structure, high reliability and accuracy, low requirement for pipes and could accept wide range for both viscosity and flow rate range, the product was widely applied in petroleum, chemical, medical, transportation, food and other commercial industries for flow measurement. In addition, oval gear flow meter is particular suitable for measurement of fuel oil.

FEATURES

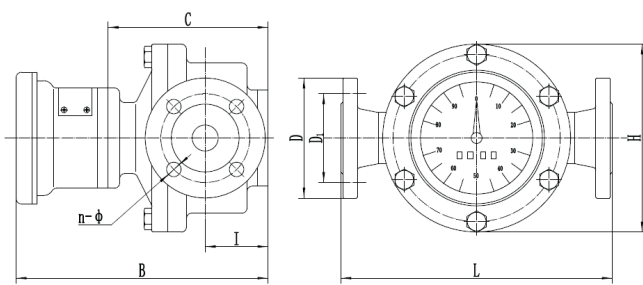
Display	Pointer cumulative, Zero returning, pulse, 4-20ma, LCD display, communication output.
Medium	High viscosity liquid and All kinds of oil
Accuracy	Class 0.5 or 0.2
Measured medium viscosity	200~3000mpa.s
Measured medium temperature	-10~+100°C
Pressure	1.6MPa、2.5MPa、4.0MPa
Output	Pulse, 4-20ma
Communication	RS485
Power	DC12V
Installation	Flange, Thread
Explosion-proof	ia II CT5, d II BT4
Ambient temperature	-10~+65°C

SPECIFICATIONS

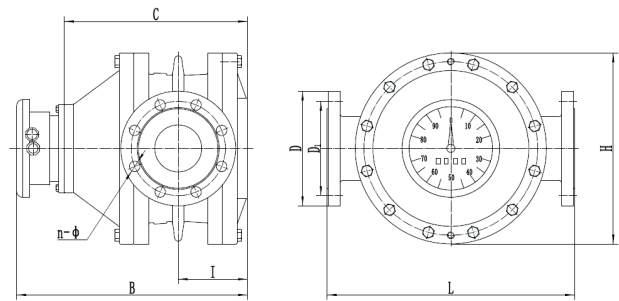
Model Category	GOG300-NA cast iron high viscosity				GOG300-NE cast steel high viscosity				GOG300-NB stainless steel high viscosity				
Nominal pressure MPa	1.6								2.5 4.0				
Medium viscosity	200~3000 mpa.s												
Medium temp.	-10℃~+100℃												
Accuracy	0.5												
Flow rate range (m3/h)													
Diameter DN mm	10	15	20	25	40	50/ LA50	65	LA65	80	LA80	100	150	200
Flow range	0.04~0.2	0.15~0.75	0.3~1.5	0.6~3	1.5~7.5	2.4~12	4~25	3~20	6~30	5~26	10~50	19~95	34~170

DIMENSIONS

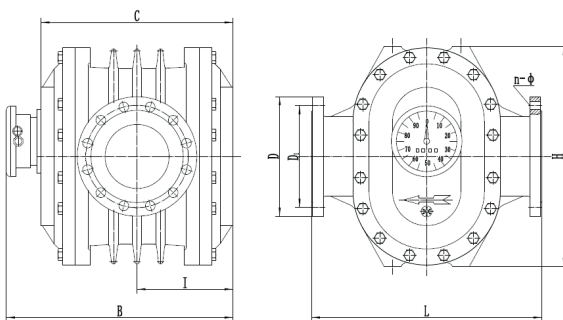
I. Dimen sions



DN10-40



DN50-100



DN150, 200

II. Cast iron type

DN(Size)	L	H	I	B	C	D	D1	n	Φ	Weight KG
10	150	100	455	213	135	90	60	4	14	6
15	170	118	48	226	147	95	65	4	14	8
20	200	150	53	238	155	105	75	4	14	11
25	260	180	60	246	164	115	85	4	14	18
40	245	180	77	271	199	145	110	4	18	20
50	340	250	88	379	249	165	125	4	18	46
LA50	287	218	103	310	232	165	125	4	18	28
65	420	325	118	443	311	185	142	4	18	87
LA65	265	248	120	378	284	185	145	4	18	40
80	420	325	118	443	311	200	160	8	18	87
LA80	265	248	120	387	284	200	160	8	18	67
100	515	418	131	467	337	220	180	8	18	160
150	540	515	210	565	435	280	240	8	23	245
200	650	650	247	624	494	335	295	12	23	400

III Cast steel type

DN(Size)	L	H	I	B	C	D	D1	n	Φ	Weight KG
15	200	138	53	220	145	105	75	4	14	12
20	250	164	65	245	165	125	90	4	18	18
25	300	202	68	255	175	135	100	4	18	22
40	300	202	83	285	205	165	125	4	23	27
50	384	262	88	400	270	175	135	4	23	66
80	450	337	118	460	330	210	170	8	23	118
100	555	442	131	485	355	250	200	8	25	210
150	540	510	210	565	435	300	250	8	26	260
200	650	650	247	625	495	300	310	12	26	430

Cast iron - Cast steel high viscosity oval gear flow meter dimension:

DN15~DN25: According to the table above, A,B size with 160mm Hot extension tube

DN40~DN80: According to the table above, A,B size with 300mm Hot extension tube

Other dimensions are the corresponding size of the above table

IV Stainless steel type

DN(Size)	L	H	I	B	C	D	D1	n	Φ	Weight KG
10	170	100	45	216	133	90	60	4	14	7
15	200	120	45	226	226	95	65	4	14	11
20	230	150	48	238	238	105	75	4	14	17
25	280	195	58	246	249	115	85	4	14	21
40	265	178	64	370	370	150	110	4	18	24
50	265	178	92	370	370	165	125	4	18	24
65	365	265	125	460	460	165	145	4	18	56
80	420	305	133	459	459	200	160	8	18	82
100	515	400	181	554	554	220	180	8	18	127
150	540	515	210	607	607	280	240	8	23	280
200	650	650	247	646	646	340	295	12	23	435

TYPE SELECTION ///

GOG300	<input type="checkbox"/>	<input type="checkbox"/>	<input type="checkbox"/>	<input type="checkbox"/>	<input type="checkbox"/>	<input type="checkbox"/>	<input type="checkbox"/>	<input type="checkbox"/>	<input type="checkbox"/>	Description
Housing material	NA									Cast iron
	NE									Cast steel
	NB									Stainless steel
Diameter	DNX									DN10~DN200 (mm)
Pressure	1.6									1.6MPa
	2.5									2.5MPa
	4.0									4.0MPa
Accuracy	B									0.5
Connection	1									Flange
	2									Thread
Output	L0									Pulse
	L1									4-20mA
Communication	R									RS485
	N									/
Display	1									Pointer
	2									LCD
Explosion-proof	H									Ia II CT5
	G									D II BT4