



*The
Sampling
Connection*



ISOLOK® SERIES SAK BULK SOLIDS SAMPLER

Gravity Discharge Design Enables Reliable Sample Collection

Features

- Collects sample from slide or vertical drop chute or direct from open processes
- Single moving part collects accurate and repeatable 18 cc sample volume
- Gravity-discharge design ideal for powder, flakes or pellets up to 11/32" (9 mm) size
- Rugged 316 stainless steel body features chrome-hardened bore to resist abrasion
- Application-specific seals include FDA-recognized EPDM, polyurethane elastomers and more
- Split-clamped mating ferrules and 2" smooth-bore mounting port facilitate easy installation

Description

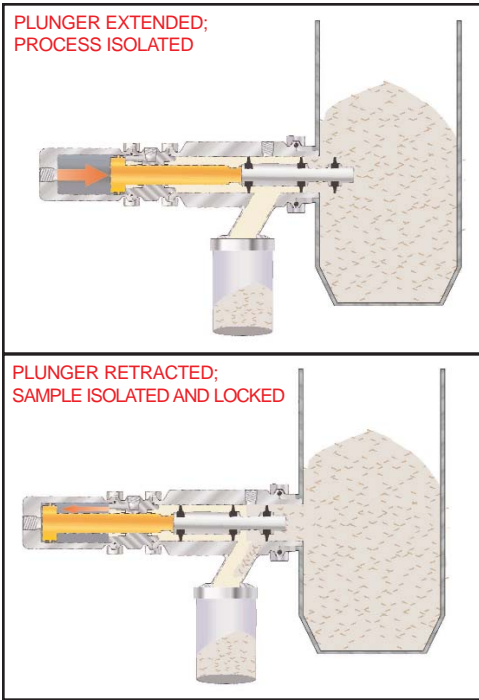
ISOLOK® Series SAK Bulk Solids Samplers provide a simple, reliable means of collecting representative samples of flowable powders, flakes or granules. Materials such as salt, cement, fertilizer, alumina, gypsum, and food products are sampled from process streams at atmospheric pressure. An auxiliary top body port enables air ejection of non-free flowing materials.

An air cylinder extends a single plunger into open process or flow material, then immediately withdraws, carrying a fixed amount of sample trapped in an annular ring between plunger seals. Process or flow ports are always closed, preventing leaks or product loss. There are no tubes or passages to become clogged. The gravity-discharged sample is transferred directly to a closed container. Sample integrity is maintained while contamination of personnel or facility is eliminated.

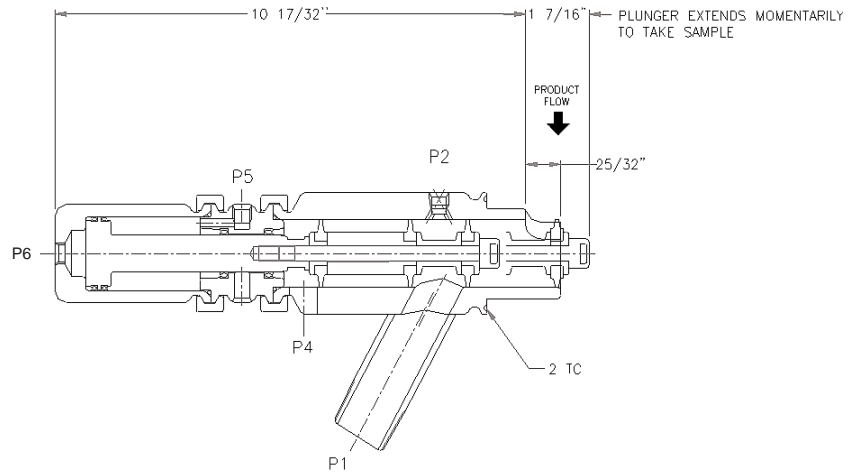
ISOLOK® Series SAK Samplers can be used for composite, batch or analysis sampling techniques. Composite sampling is accomplished by obtaining a series of precisely measured material samples at set intervals or adjusted in response to product flow. Samples can be collected in common or individual containers. Batch or analysis sampling in response to immediate need or on-line process control interface is facilitated using single or rapid cycling material withdrawal.

A complete line of programmable automatic controls is available for use in general purpose as well as hazardous environments.

SAMPLING PROCESS



TECHNICAL DATA



SPECIFICATIONS

Sample Volume per Cycle	maximum 1.1 cu. in. / 18 cc
Maximum Particle Size	0.34" / 9 mm
Operating Cycle Range	maximum 20 samples / minute
Body Material	316 stainless steel; other alloys available
Plunger Material	316 stainless steel; other alloys available
Plunger Bore x Stroke	1.157" x 2" / 29 mm x 50 mm or 1.375" x 2" / 35 mm x 50 mm
Plunger Seal Material	polyurethane, EPDM & others available
Actuator Material	316 stainless steel; other alloys available
Actuator Seal Material	filled Teflon; others available
Static Seal Material	fluoroelastomer; others available
Sample Temperature Range	-40° to 250° F / -40° to 120° C; depending on seal material & duty cycle
Ambient Operating Temperature Range	-5° to 131° F / -20° to 55° C; depending on seal material & cycle controller
Line Mount Adapter Type	2.0" clamp ferrule
Compressed Air Requirement	0.22 SCFM @ 30 psi or 0.60 SCFM @ 30 psi / maximum cycle range
Electrical Requirement, controller	115/230 VAC; 50/60Hz; others available
Overall Dimensions, length x diameter, less accessories	10.56" x 5.0" / 268 mm x 127 mm
Net Weight, not including controller or accessories	10 lbs. / 4.54 kg



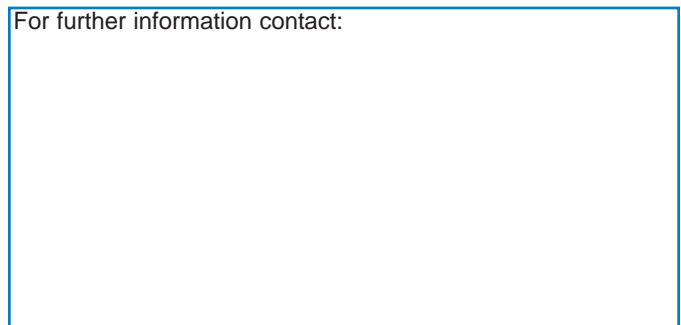
SENTRY EQUIPMENT CORP

856 E. Armour Rd.
 PO Box 127
 Oconomowoc, WI 53066 USA
 Phone: 262-567-7256
 Fax: 262-567-4523

E-mail:
 sales@sentry-equip.com

Website:
 www.sentry-equip.com

For further information contact:



The Sampling Connection