



*The  
Sampling  
Connection*

## MODEL SA AUTOMATIC SAMPLER

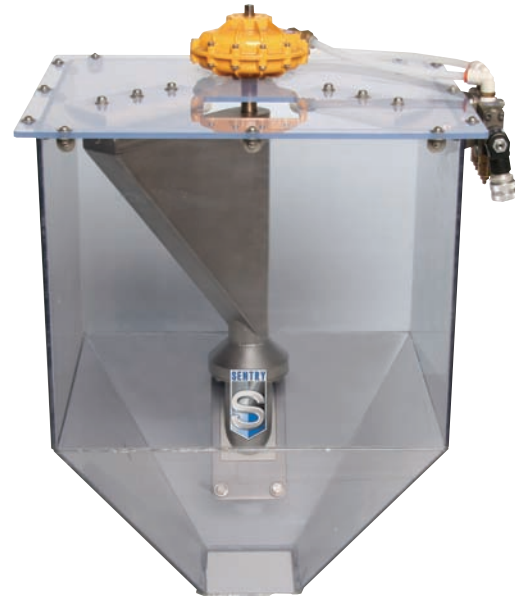
### **Automatic Cross-Cut Sampler for Free-Flowing Materials**

#### **Features**

- USDA, Canadian, FGIS and NOPA approved
- Available with air or electric actuation (120 VAC)
- Operates under a few inches w.g. (+/-) pressure which makes it dust and vapor resistant to working areas
- Working temperatures up to 355°F/177°C
- Constructed of 304 stainless steel with Kevlar braided packing material
- Filter/regulator and gauge included

#### **Options**

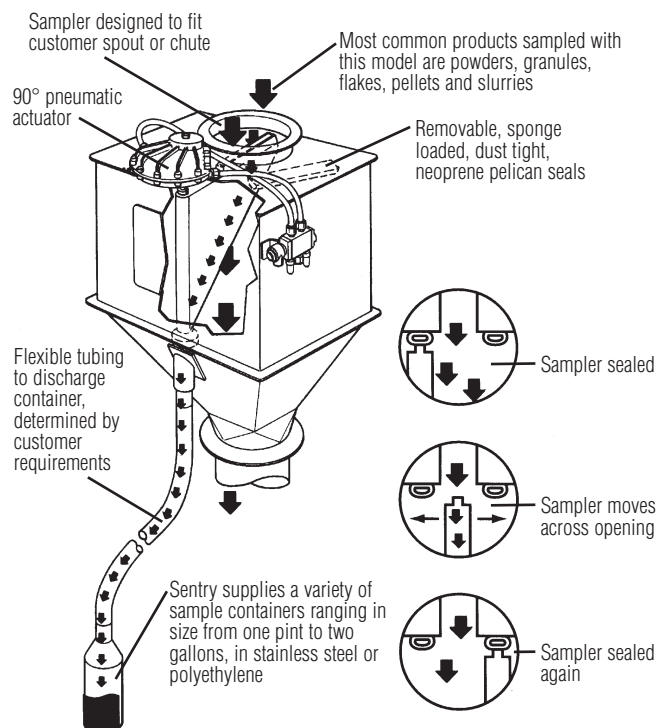
- Adjustable pelican opening
- Wear lining in lower transition
- Special seal materials available
- Hardening or NEDOX® coating of contact parts



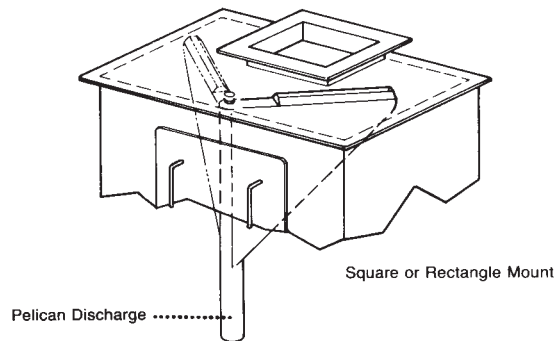
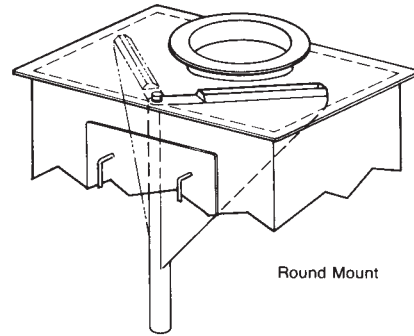
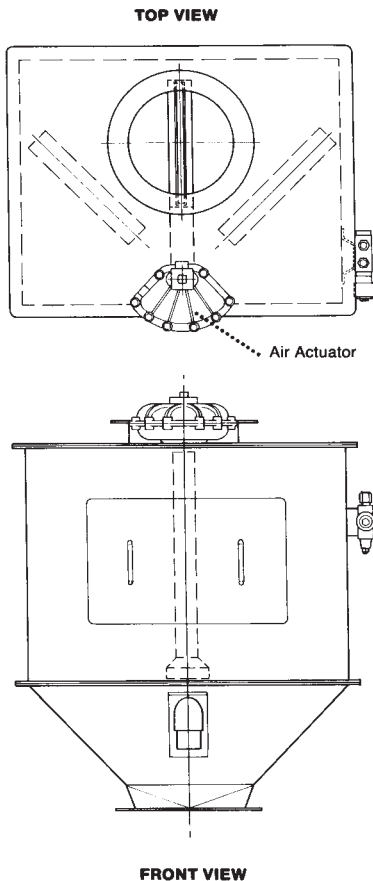
#### **Description**

The Model SA is a cross-cut sampler designed to sample bulk solids such as powders, pellets, granules, flakes, grains and seeds as well as slurries in vertical spouts and chutes. The pivot method of sampling features a top actuator drive, dust-tight housing, neoprene seals and Kevlar® braided packing.

The Model SA samples when a pneumatic-actuated “pelican-type” head traverses across the product flow. A representative sample collects to the discharge point.



## TECHNICAL DATA



## SPECIFICATIONS

Basic Electrical Requirements	115 VAC, single phase, 60 Hz; control box fused to 2 amps
Air Requirements	80 psig, 1.5 cfm per cycle
Quantity of Sample	determined by flow rate and aperture size and time in line; standard aperture 3/4" wide x 1" deep x stroke length less 1-1/2"
Product Size	10 micron to 1/4"; larger sizes upon request
Recommended Location of Sampler	vertical gravity lines, some pressurized applications
Suggested Connection to Collection Point	rigid metal or flexible tubing to a collection container or multi-position collection cabinet
Materials or Construction	stainless steel housing and inspection door
Temperature Range	up to 355° F



### SENTRY EQUIPMENT CORP

856 E. Armour Rd.  
PO Box 127  
Oconomowoc, WI 53066 USA  
Phone: 262-567-7256  
Fax: 262-567-4523

**E-mail:**  
sales@sentry-equip.com

**Website:**  
www.sentry-equip.com

For further information, contact:

*The Sampling Connection*