



*The
Sampling
Connection*

MODEL IC AUTOMATIC SAMPLER



Compatible with Sentry Automatic Samplers to Collect Samples

Features

- Available in two designs: TEFC and explosion-proof
- Locking front door and door interlock sensor ensure operator safety
- Standard systems available in 8, 16 and 24 collection positions
- Collection containers ranging in size from 1-4 quarts

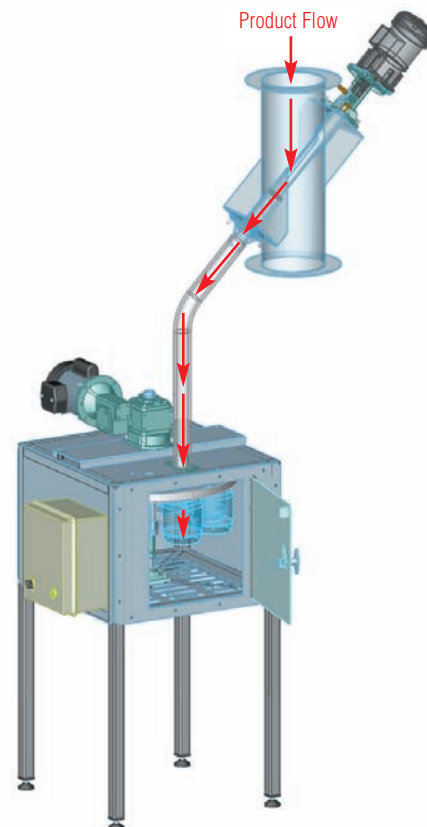
Options

- Sample bottle position indicator
- Bag adapters for customers using sample bags
- Custom configurations are available
- Junction box can be interfaced with any Sentry sampler control panel

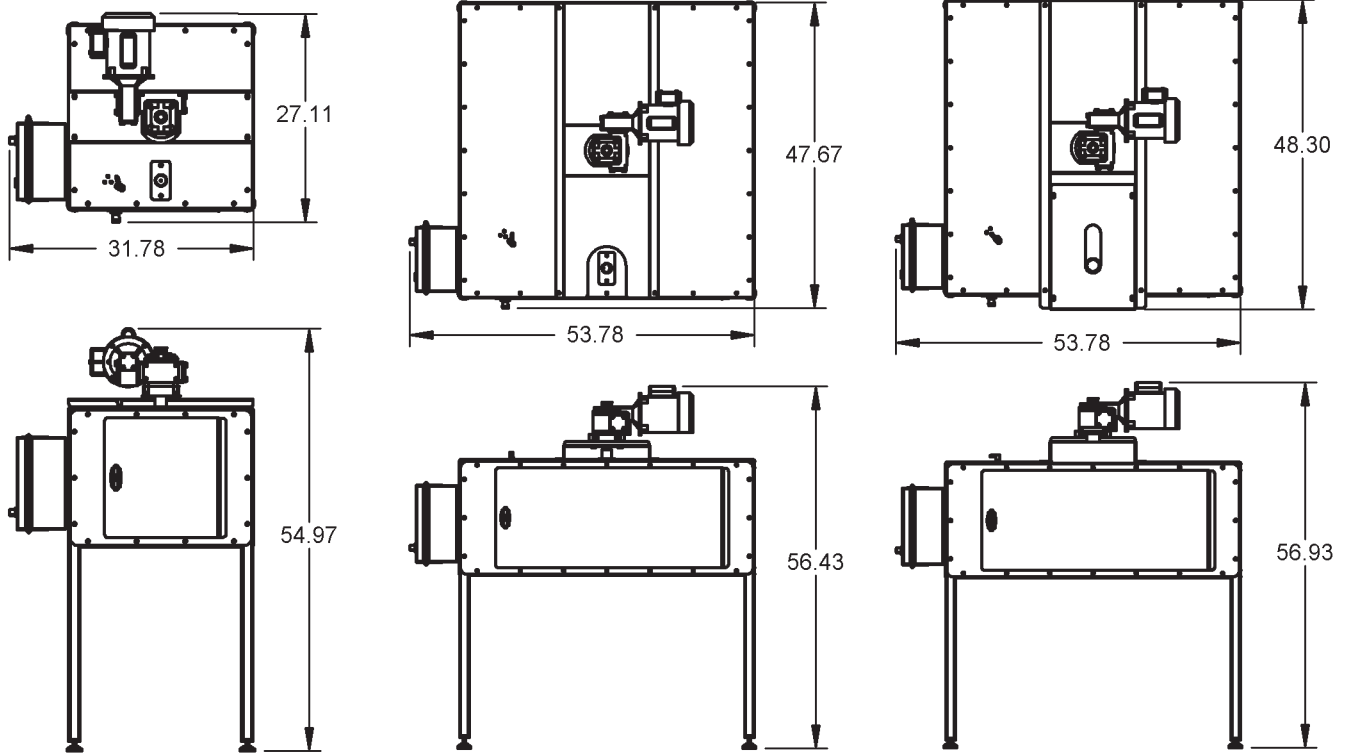
Description

The Model IC multiple position indexing cabinet is designed for collecting either individual or composite samples. The stainless steel, electrically driven enclosures come in eight, sixteen and twenty-four positions.

A permanently-mounted NEMA 4X enclosed junction box and capacitive brake system positively align the intake hole with a collection container. Self-adjusting inlet seals prevent cross-contamination as the system indexes from one container to another.



TECHNICAL DATA



SPECIFICATIONS

Basic Electrical Requirements	control box - 115v AC, 1 PH, 60 Hz; TEFC & explosion-proof motors - 115/230 VAC, single phase, 50/60 Hz
Inlet Size	1.5" or 2" standard diameter; other sizes available
Suggested Connection to Inlet	rigid metal or flexible tubing
Materials or Construction	stainless steel frame, panels and inlet; plastic seal assemblies and jars
Temperature Range	up to 180° F / 82° C
Collection Containers	PET Jars - standard 1 quart to 4 quart (others, including bags, available upon request); 304 stainless steel



SENTRY EQUIPMENT CORP

856 E. Armour Rd.
PO Box 127
Oconomowoc, WI 53066 USA
Phone: 262-567-7256
Fax: 262-567-4523

E-mail:
sales@sentry-equip.com

Website:
www.sentry-equip.com

For further information, contact:

The Sampling Connection