



*The
Sampling
Connection*



MODEL B1 AUTOMATIC SAMPLER

Automatically Samples Free-Flowing and Non-Free Flowing Bulk Solids

Features

- Total disassembly to insure complete cleanup
- Available as a USDA approved sanitary unit for food and dairy
- Auger reverses for clean-out of settled product in aperture opening
- Constructed of 316 stainless steel
- Close tolerance between the auger and the tube

Options

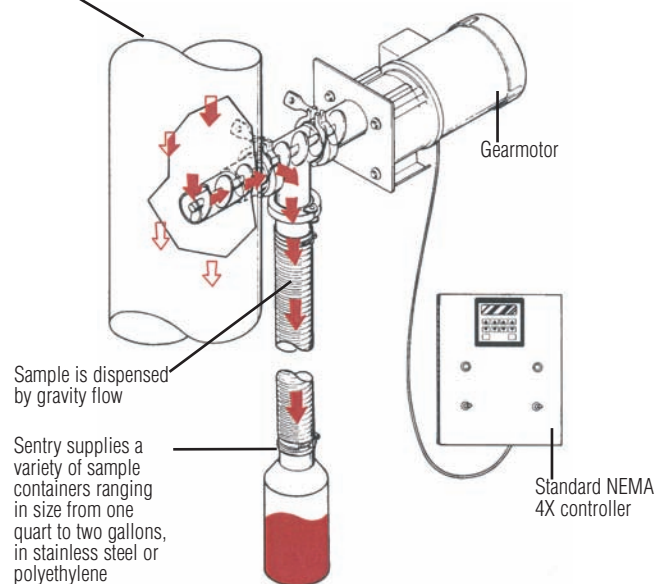
- DC or explosion proof motors
- Hardening or NEDOX® treatment of contact parts

Description

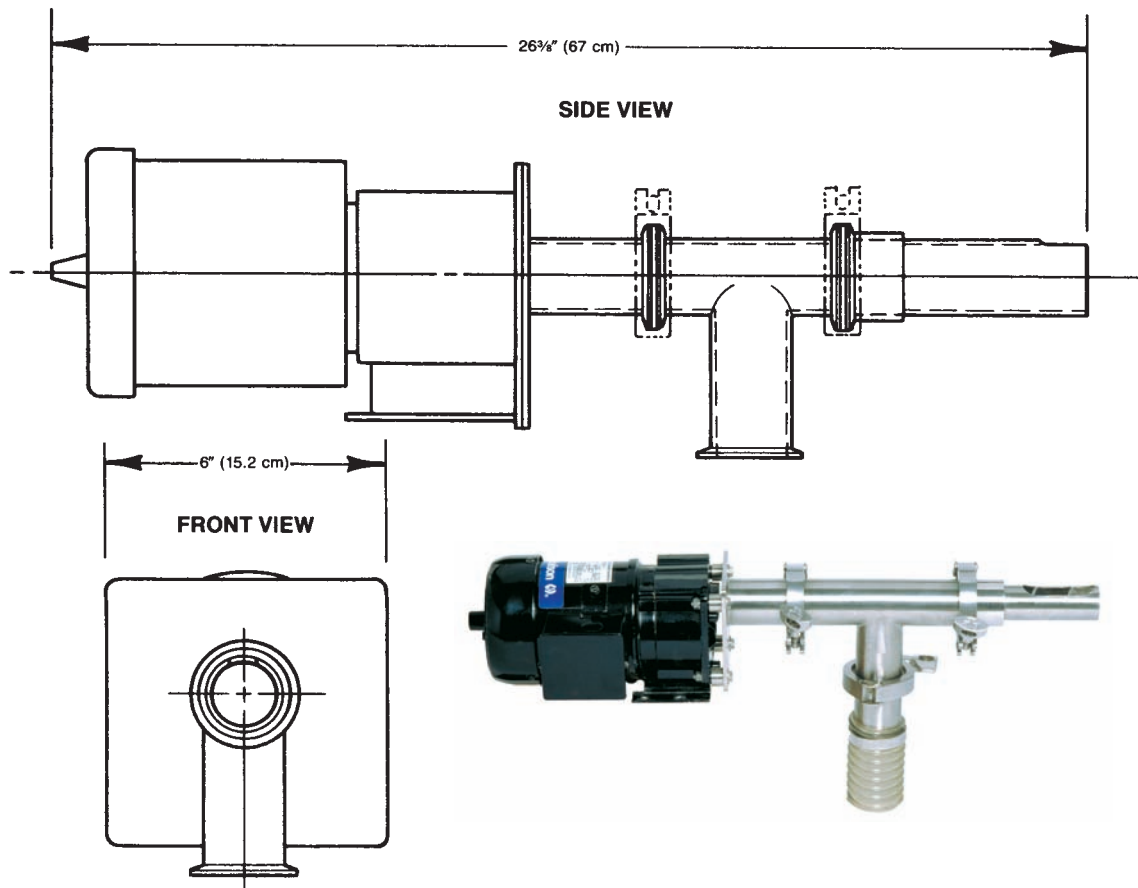
The Model B1 provides spot or strip sampling of free-flowing and non-free-flowing materials (granules, powders, flakes, powdered milk and pharmaceutical products) in gravity flow pipes, spouts and hoppers.

The Model B1 samples when a gearmotor-driven auger draws the product to the discharge point.

Most common products sampled with this model are powdered milk and food products that are granules, flakes or pellets



TECHNICAL DATA



SPECIFICATIONS

Basic Electrical Requirements	115 VAC, single phase, 50 Hz or 60 Hz; control box fused to 2 amps
Motor	1/6 HP AC T.E.F.C.
Air Requirements	none
Quantity of Sample	determined by flow rate, aperture size and amount of time the auger runs; standard aperture 3/4" wide x 1" deep
Product Size	10 micron to 1/4"; larger sizes upon request
Recommended Location of Sampler	vertical gravity lines
Suggested Connection to Collection Point	rigid metal or flexible tubing to a collection container or multi- position collection cabinet
Materials or Construction	316 stainless steel sampling tube and auger and FDA approved nylon
Temperature Range	up to 180° F



SENTRY EQUIPMENT CORP

856 E. Armour Rd.
PO Box 127
Oconomowoc, WI 53066 USA
Phone: 262-567-7256
Fax: 262-567-4523

E-mail:
sales@sentry-equip.com

Website:
www.sentry-equip.com

For further information, contact:

The Sampling Connection