



The
Sampling
Connection



ISOLOK[®] SANITARY SAMPLER LIQUID SAMPLER

Accurate Sanitary Samples Produced with ISOLOK[®] Model M4KSA

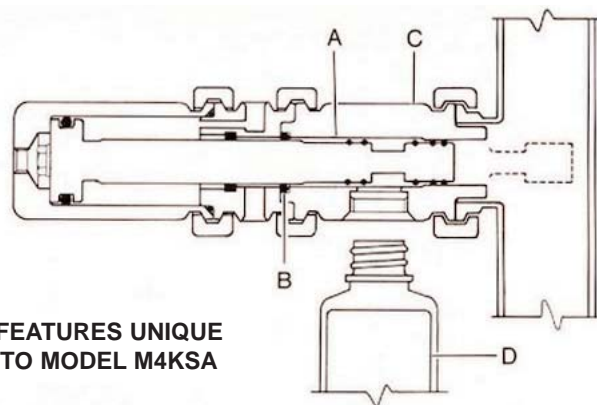
Features

- A** Small body bore diameter reduces wetted area inside the sampler and improves cleanability.
- B** Front rod seal is a Sanitary O-ring design. Easy to clean and replace (when necessary).
- C** Outside contour of the body, head and barrel have been rounded for easy cleaning.
- D** A bottle port closure is included with each sampler as standard. When installed, it prevents accidental entrance of contamination through the sample discharge port.

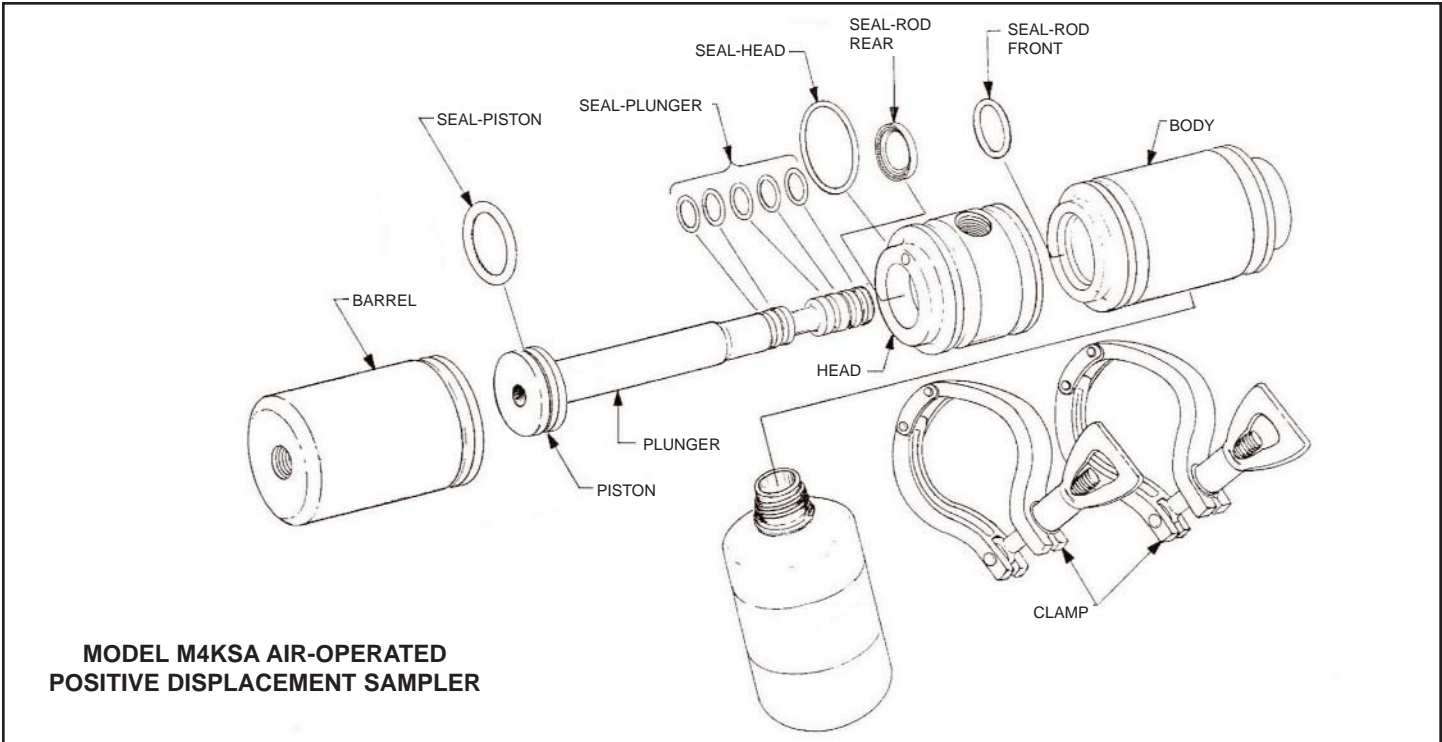
Description

The *ISOLOK*[®] Model M4KSA is designed for sampling such sanitary products as Grade A or industrial grade raw or processed milk, whey, and other food or pharmaceutical products. The M4KSA features ferrule clamp mounting suitable to any line size, quick disconnect to expose all wetted parts for cleaning, FDA and 3-A certified seal materials and a built-in mount for 24 mm thread sample bottles. 3-A Standard 59-00 covers the *ISOLOK*[®] M4KSA, joining USPHS recognition of the *ISOLOK*[®] sanitary construction. In addition to the basic features such as all 300 series stainless construction and precision sample delivery with only one moving part, the M4KSA offers excellent cleanability. Sampler and controls are suitable for receiving dock or in-plant installations on pressure or suction lines where it withdraws accurate composite samples for butterfat or other analysis.

In addition to valid samples, hundreds of sanitary systems now in use report major savings in reduced agitation time or the elimination of sampling from receiving tanks.



FEATURES UNIQUE
TO MODEL M4KSA



SPECIFICATIONS

| | |
|-------------------------------|---------------------------------------|
| Sample Volume per Cycle | Available in 1, 2 or 3 cc sample size |
| Cycle Range (typical) | maximum 30 samples / minute |
| Compressed Air Required | .30 psi minimum |
| Electricity Required | .115/230 VAC, 50/60 Hz |
| Sampler Mounting | .1½" standard ferrule |

COMPLETE SANITARY SAMPLING SYSTEMS



ISOLOK® Samplers are customarily part of complete operating systems with all components available from Sentry Equipment. A typical sanitary system includes the *ISOLOK*® Sampler with connecting clamps and fittings, a sanitary line mounting tee, and an automatic cycle controller.

Model EP4-1 Controller - Micro PLC controller with graphical display and pneumatic air set (filter, regulator, control valve). Standard control logic for user defined sample cycle time for true composite sampling. Remote start/stop and remote enable/lockout features are also standard. Optional control schemes include:

- Flow Monitor*....Auto start/stop on pump motor current with time delay. Prevents multiple samples of standing fluids. Recommended for milk receiving docks or similar situations.
- Batch Control* ..Standard time-based control with cycle counter for end of batch.
- Flow Control*Pulse or analog input from flow meter to adjust sample cycle time.
- Air Eject*Air pulse at end of sample cycle to assist movement of viscous/non-free-flowing sample to discharge port. Includes independent adjustment of air pressure, duration of flow and timing of eject air.



SENTRY EQUIPMENT CORP

856 E. Armour Rd.
 PO Box 127
 Oconomowoc, WI 53066 USA
 Phone: 262-567-7256
 Fax: 262-567-4523

E-mail:
 sales@sentry-equip.com

Website:
 www.sentry-equip.com

For further information contact:

The Sampling Connection