



## FIXED VOLUME SAMPLE PANEL MODEL FVS

### *“Single Action” Sampling for Safety and Simplicity*

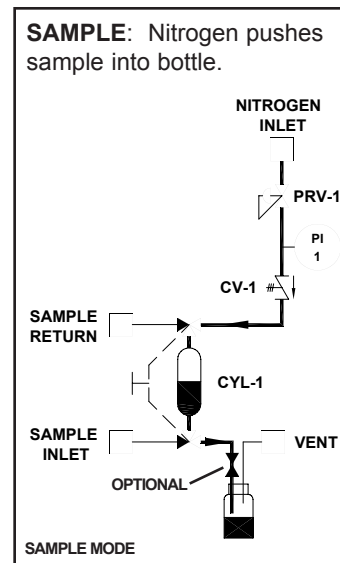
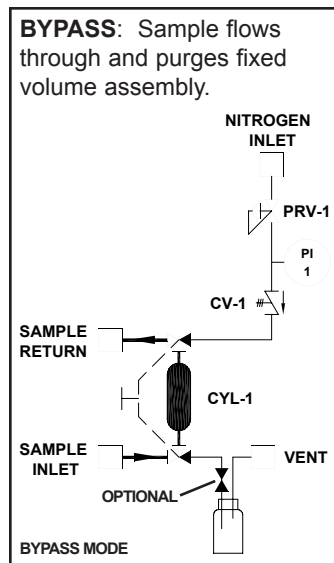
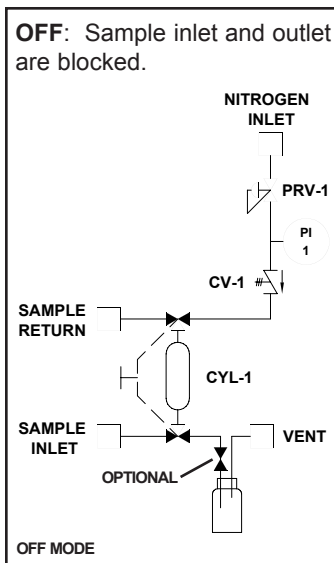
- Eliminates possibility of over filling of sample bottle.
- Interchangeable fixed volume and needle assemblies for operational flexibility.
- Optional spring loaded valve provides double block safety.

The Sentry FVS Fixed Volume Sampler provides a representative and repeatable fixed volume sample with a single operator that provides multiple functions with each manipulation of the valve handle. Two zero dead volume 3-way valves are controlled via an external gear box that initiates multiple valve positions with one lever.

This provides for safe, simple and accurate sampling. Compared to other samplers, the design also allows for quick change of the fixed volume assembly to other volume sizes without repiping or changing the sampling valve.

An optional spring loaded valve provides for double block safety if required.

The FVS Sampler incorporates Sentry’s low emission needle sampler design including: **1)** patented non-coring, side-discharge needle design to improve septum integrity; **2)** low dead volume sampling valve; **3)** interchangeable needle assembly to vary needle/tube stub sizes.



## FIXED VOLUME SAMPLER MODEL NUMBERS

Sampler Series	Switching Valve Size	Inlet/Out Connections+	Standard Valve	Pressure/Temperature
FVS-44	1/4"	1/4"	316 SS	1800 psi @ 300°F [124 bar @ 148°C]
FVS-64	3/8"	3/8"	316 SS	1800 psi @ 300°F [124 bar @ 148°C]
FVS-84	3/8"	1/2"	316 SS	1800 psi @ 300°F [124 bar @ 148°C]

## SAMPLER MODEL NUMBER OPTION

A	B	C	D
Fill Needle (I.D.)	Vent Needle (I.D.)	Bottle Type	Bottle Size
1 = 0.065"	1 = 0.065"	B = Boston Round	1 = 2 oz (60 ml)
2 = 0.083"	2 = 0.083"	S = Schott	2 = 4 oz (118 ml)
3 = 0.110"	3 = 0.110"	X = Special	3 = 8 oz (237 ml)
4 = 3/16" tube stub	4 = 9/64" orifice		4 = 16 oz (473 ml)
			5 = 32 oz (946 ml)

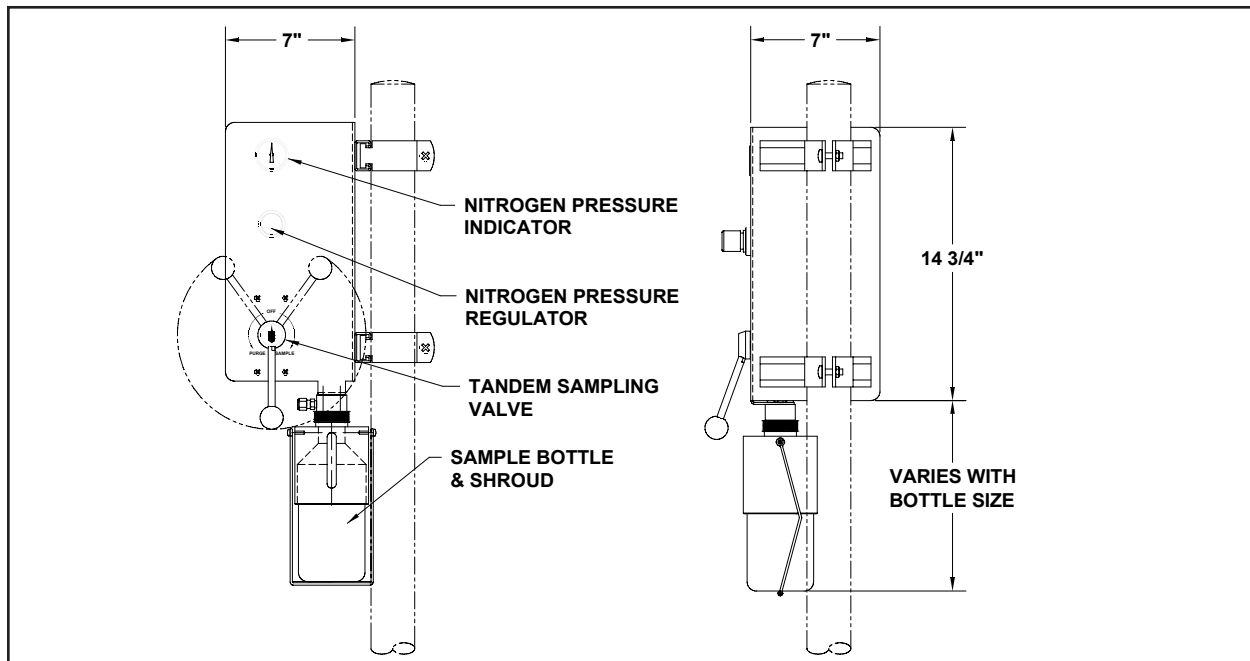
E	F	G	H	I
Septum Type	Carbon Canister	Fixed Volume	Sample Cooler*	Spring Return Block Valve
TS = Teflon Coated/ Silicone	1 = None 2 = Yes	Cylinder Size 1 = 40 ml (1.6 oz) 2 = 100 ml (3.4 oz) 3 = 200 ml (6.8 oz) 4 = 400 ml (13.5 oz) 5 = 700 ml (23.7 oz)	1 = None 2 = Yes	1 = None 2 = Yes
X = Special				

+ Standard end connections are compression. Consult factory for other options.

\* Sentry will size sample cooler to fit your application (includes thermometer, sample line throttling valve and cooling water inlet & outlet valves).

Other Options Available: PS = Pipe Stand (stainless steel).

Example: FVS-44-12-BITS-1111 is a 3/8", SS sampler (1/4" compression connections) with a 0.065" fill needle, 0.083" vent needle, Boston Round, 2 oz bottle, Teflon silicone septum, without carbon canister, 40 ml fixed volume assembly, without cooler, without spring return block valve.



### SENTRY Equipment Corp

856 E. Armour Rd.  
PO Box 127  
Oconomowoc, WI 53066 USA  
Phone: 262-567-7256  
Fax: 262-567-4523

**E-mail:**  
sales@sentry-equip.com

**Website:**  
www.sentry-equip.com

For further information, contact: