



CLOSED LOOP CYLINDER SAMPLE PANEL

Safe & Accurate Sampling for Gases and 2 Phase Liquids

- A continuous flow of sample assures representative sample
- Quick disconnects allow for easy removal and transportation of the sample cylinder
- Self-sealing quick disconnect fittings prevent leakage when cylinder is removed

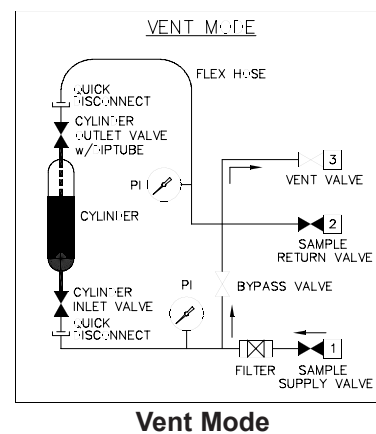
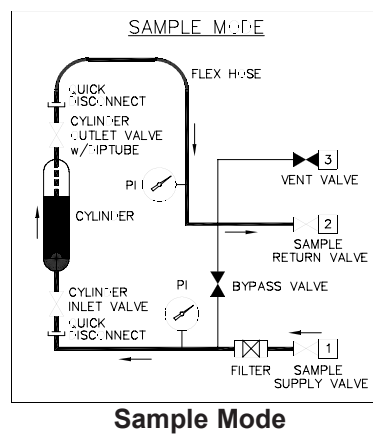
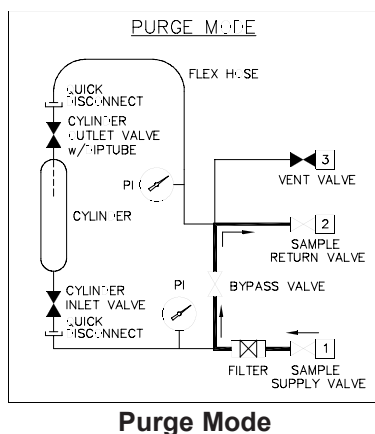
Closed loop cylinder sampling is the most effective way to take and transport gaseous or 2-phase liquid samples. By purging the sample path and the sample panel during each sample cycle, representative sample is assured within the cylinder. As well, purging of the sample panel after the sample is secured, provides for maximum operator safety and minimum loss of sample vapors to the environment.

How it Works

Purge Mode: Sample flows from the supply to the return to clear the process loop.

Sample Mode: Sample flows from the supply through the cylinder to return. After sample flow is assured, cylinder is isolated.

Vent Mode: Sample remaining in the process lines is bled to vent or flare. After the cylinder inlet and outlet valves are closed it can be removed via the quick disconnects and transported to the lab.



SPECIFICATIONS

Component Materials: 316SS/304SS Cylinders
Temperature Rating: 400°F (205°C)
Pressure Rating: 1800 psi (125 bar)
Black Plate Material: Stainless steel

SAMPLER MODEL NUMBER OPTIONS

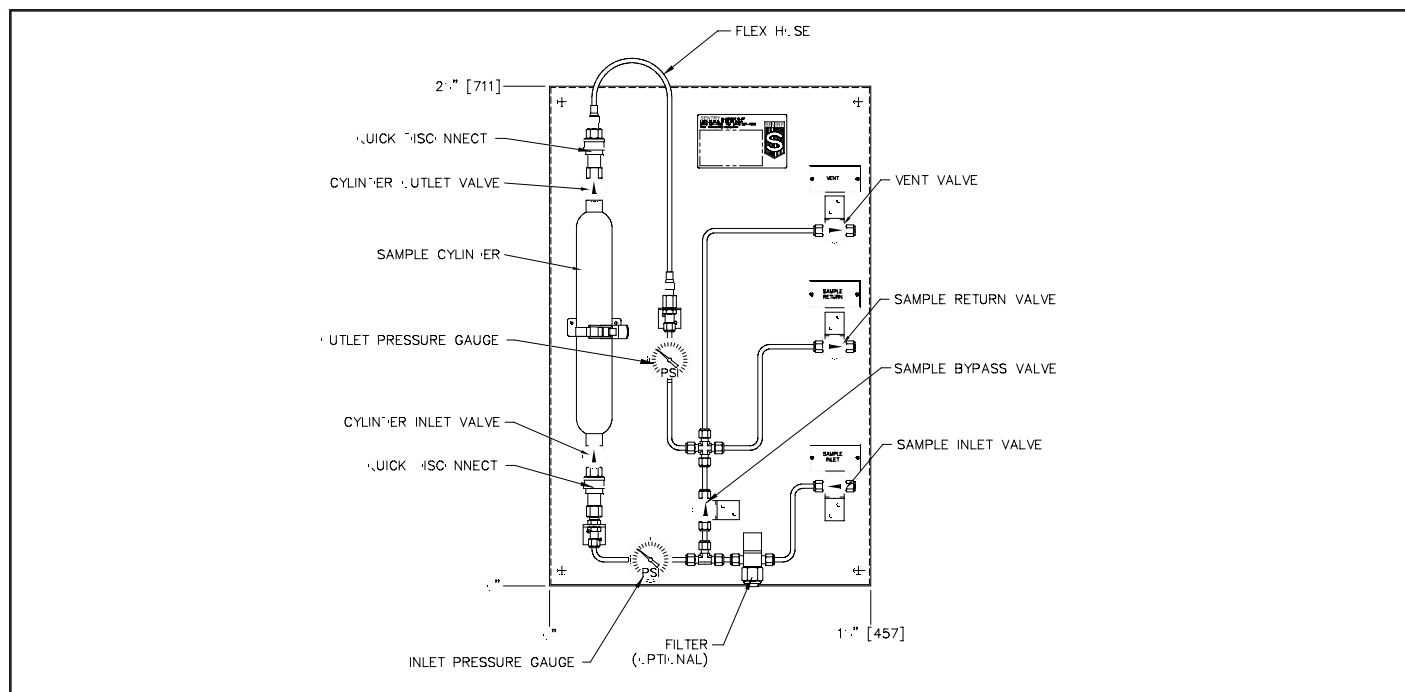
| A Inlet/Outlet Conn | B Inlet/Outlet Type | C Vent Connection | D Liquid/Vapor | E Material | F Cylinder Size | G Filter | H Pressure Gauge Range |
|---------------------------|---------------------------|----------------------|-------------------|---------------|--------------------|-------------|------------------------------|
| 1= 1/4" | C= comp | 1=Yes | L=Liquid* | S=316 SS | 1=50 cc | 1=Yes | 1=0-100 |
| 2=3/8" | SW= socket weld | 2=No | V= Vapor | 304 SS | 2=75 cc | 2=No | 2=0-400 |
| 3=1/2" | F= flanged | | | X=Special | 3=150 cc | | 3=0-600 |
| 4=Special | | | | | 4=300 cc | | 4=0-800 |
| | | | | | 5=500 cc | | 5=0-1000 |
| | | | | | 6=1000 cc | | 6=0-2000 |
| | | | | | 7=Special | | |

Example: CSP-1-C-1-L-S-3-2 has 1/4" compression connections, vent, liquid sample, 316 SS components, 150 cc cylinder and no filter.

Other options available: PS = Pipe Stand (stainless steel)

CC = Carbon Canister filter on vent line

*Diptube standard on liquid samples for vapor space.



SENTRY Equipment Corp

856 E. Armour Rd.
 PO Box 127
 Oconomowoc, WI 53066 USA
 Phone: 262-567-7256
 Fax: 262-567-4523

E-mail:
sales@sentry-equip.com

Website:
www.sentry-equip.com

For further information, contact:

