



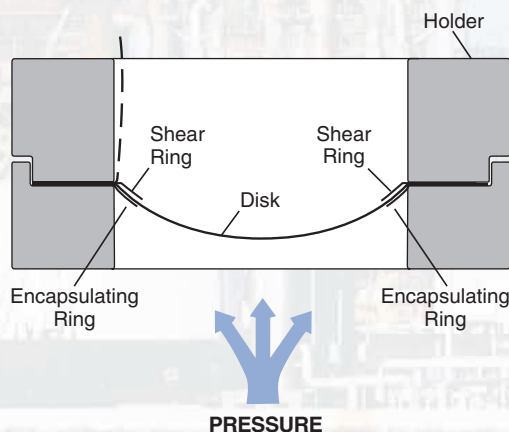
# RLP Series

## Reverse-Acting Low Pressure Disks



### Features

- Scoreless disk design offers higher cycle life when compared to scored reverse-acting disks
- Excels in liquid, gas, or two-phase applications
- 0% manufacturing range is standard
- Operates up to 90% of the low side of the burst tolerance of marked rating (Contact ZOOK for operating ratio on pressures below 40 psig)
- Withstands full vacuum without vacuum support
- Non-fragmenting design
- Excellent for isolating safety relief valves
- Encapsulating ring eliminates torque sensitivity
- Resists product build-up. The smooth convex side of the disk is exposed to the process media
- Unique holder design ensures proper disk orientation
- 3-dimensional stainless steel tag is standard
- ASME UD marking available



The process pressure is applied to the convex side of the RLP Disk placing the dome of the disk into compression. As the pressure rises past 90%, the dome becomes unstable eventually collapsing onto a shear ring that efficiently cuts the disk wide open upon reversal. The state-of-the-art shear ring allows the disk to function on both low pressure and liquid applications.

Bulletin no. 320600 Rev. 2  
 © 2003 ZOOK Enterprises, LLC, all rights reserved  
 Printed in U.S.A. 5-08-2500-6M-CGG

RLP Disk  
Minimum and Maximum  
Pressure Ratings  
psig (bar) @ 72°F (22°C)

Disk Size	Disk Materials		
	Minimum RLP-L with Liner	316SS	
		min.	max.
1"	18	13	40
25 mm	1.24	0.90	2.76
1-1/2"	14	9	25
40 mm	0.97	0.62	1.72
2"	8	6	25
50 mm	0.55	0.41	1.72
3"	7	4	25
80 mm	0.48	0.28	1.72
4"	5	3	20
100 mm	0.34	0.21	1.38
6"	3	2	18
150 mm	0.21	0.14	1.24
8"	3	2	18
200 mm	0.21	0.14	1.24
Max. Temp.	500°F (260°C)	900°F (482°C)	

- Standard encapsulating ring material 316SS  
Other materials are available, contact ZOOK
- Larger sizes and lower burst pressures may be available on request, contact ZOOK
- For higher burst ratings refer to URA Disk bulletin

## RLP-I Series Disk Holder

### Features

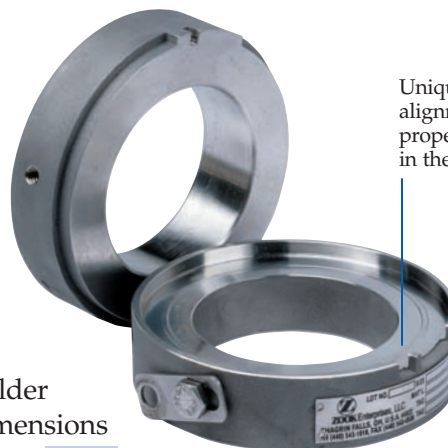
- Insert type Rupture Disk Holder – designed exclusively to be used with the RLP Series Rupture Disk
- Non-torque sensitive flat seat design
- The RLP-I Holder and Rupture Disk are assembled using safety designed side clips
- Standard materials of construction: 316SS and carbon steel. Other materials available upon request
- Permanently attached stainless steel nameplates are standard. Nameplates indicate flow direction and provide visual verification that holder assembly is properly oriented in the piping system
- Available options include: gauge tap; nipple and tee; excess flow valve; pressure gauge; J-hook; special facings and coatings

Manufacturing Range/Burst Tolerance  
psig (bar) @ 72°F (22°C)

Specified Burst Pressure	Available Manufacturing Ranges	Burst Tolerance
1 to below 5 (0.07 to below 0.34)	0%, -5%, -10%	± 0.50 (± 0.03)
5 to below 10 (0.34 to below 0.69)	0%, -5%, -10%	± 0.80 (± 0.06)
10 to below 15 (0.69 to below 1.03)	0%, -5%, -10%	± 1.30 (± 0.09)
15 – 40 (1.03-2.76)	0%, -5%, -10%	± 2.00 (± 0.14)
Above 40 (2.76)	0%, -5%, -10%	± 5%

### Notes:

- 0% manufacturing range is standard.  
Disk will be marked with specified rating
- Burst tolerances are the maximum expected variation from the disk's marked burst pressure



Unique tamperproof alignment pin ensures proper disk orientation in the RLP-I holder

Holder  
Dimensions  
Inches (mm)

Nominal Size	ASME B16.5 Flange Classes ■		Height
	Class 150 O.D.	Class 300/600 ▲ O.D.	
1"	2-1/2"	2-3/4"	1-1/2"
25 mm	63.50	69.85	38.10
1-1/2"	3-1/4"	3-5/8"	1-5/8"
40 mm	82.55	92.08	41.28
2"	4"	4-1/4"	1-3/4"
50 mm	101.60	107.95	44.45
3"	5-1/4"	5-3/4"	2-1/8"
80 mm	133.35	146.05	53.98
4"	6-3/4"	7" ▲	2-7/8"
100 mm	171.45	177.80	73.03
6"	8-5/8"	9-3/4" ▲	3-11/16"
150 mm	219.08	247.65	93.68
8"	10-7/8"	12" ▲	3-13/16"
200 mm	276.23	304.80	96.85

■ Available to fit DIN and JIS flanges

▲ Contact ZOOK for flange class rating 600



**ZOOK Enterprises, LLC**  
16809 Park Circle Drive  
Chagrin Falls, OH 44022 U.S.A.  
Toll Free **800.543.1043**  
Phone **440.543.1010**  
Fax **440.543.4930**  
E-mail **sales@zook.cc**

**ZOOK Canada, Inc.**  
4400 South Service Road  
Burlington, ON Can. L7L 5R8  
Toll Free **800.370.6057**  
Phone **905.681.2885**  
Fax **905.681.8838**  
E-mail **sales.canada@zook.cc**

**ZOOK Europe, LTD.**  
Unit 1.14, Great House Waterside Business Park  
Redwall Close, Rotherham Road  
Dinnington, Sheffield UK. S25 3QA  
Phone **0044 (0) 1909 560999**  
Fax **0044 (0) 1909 560860**  
E-mail **zookeurope@zook.cc**



visit us on the web at [www.zook.cc](http://www.zook.cc)