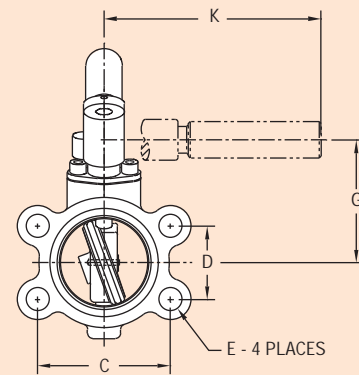
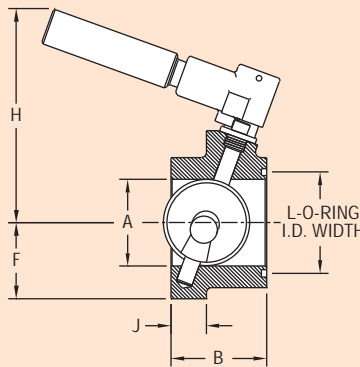




Series  
SAE

# Butterfly Valve

Low Cost, S.A.E. Flange, Hydraulic Reservoir Shut Off Valve



Valve Size	A in (mm)	B in (mm)	C in (mm)	D in (mm)	E in (mm)	F in (mm)	G in (mm)	H in (mm)	J in (mm)	K in (mm)	L in (mm)	I.D. x WD
2"	2 (50.80)	2 (50.80)	3-1/16 (77.79)	1-11/16 (42.86)	1/2 (12.70)	1-3/4 (44.45)	2-13/16 (71.44)	5-1/8 (130.18)	13/16 (20.64)	5 (127.00)	2-1/4 (57.15)	1/8 (3.18)
2-1/2"	2-1/2 (63.50)	2 (50.80)	3-1/2 (88.90)	2 (50.80)	1/2 (12.70)	2-1/16 (52.39)	3-1/8 (79.38)	5-1/8 (130.18)	13/16 (20.64)	5 (127.00)	2-3/4 (69.85)	1/8 (3.18)
3"	3 (76.20)	2-1/2 (63.50)	4-3/16 (106.36)	2-7/16 (61.91)	5/8 (15.88)	2-5/16 (58.74)	3-3/8 (85.73)	5-1/8 (130.18)	1-1/16 (26.99)	5 (127.00)	3-3/8 (85.73)	1/8 (3.18)
4"	4 (101.60)	3-1/4 (82.55)	5-1/8 (130.18)	3-1/16 (77.79)	5/8 (15.88)	2-3/4 (69.85)	4 (101.60)	5-5/8 (142.88)	1-1/4 (31.75)	5 (127.00)	4-3/8 (111.13)	1/8 (3.18)
5"	5 (127.00)	4 (101.60)	6 (152.40)	3-5/8 (92.08)	5/8 (15.88)	3-5/16 (84.14)	4-3/8 (111.13)	6 (152.40)	1-1/2 (38.10)	5 (127.00)	5-3/8 (136.53)	1/8 (3.18)

The Series SAE Butterfly Valves are an ideal low cost hydraulic reservoir shut off valve. These valves are designed to meet the demanding needs of the fluid power industry. Unique features include an O-ring flange face seal complying with S.A.E. J518 dimensional requirements. This design provides for bubble tight reservoir shut off up to 25 psi (1.72 bar) and a maximum temperature of 180°F (82.2°C). The compact envelope dimension reduces space requirements. Unit allows for adjustment by incorporating an open/close detent position lock which can be infinitely positioned to achieve a desired flow rate. The unique design resists the vibrations associated with hydraulic pumps and pumping systems. Optional Fluoroelastomer seals and locking handle are available.

### APPLICATIONS

As a standard feature on injection molding machines and large earth moving equipment, the low cost SAE Valve provides excellent shut-off on the reservoir side of hydraulic systems. Valve is typically open during normal operation until service would be required on any part of the hydraulic system at which time the valve is closed, allowing for service without loss of hydraulic fluid.

### SPECIFICATIONS

**Service:** Compatible liquids and gases.

**Line Size:** 2" to 5".

**Body Style:** 2-way, lug butterfly.

**End Connections:** O-ring flange face seal (SAE J518).

**Pressure Limit:** Shut-off: 25 psi (1.72 bar) bubble tight, Body Shell: 500 psi (34.5 bar).

#### Wetted Materials:

Body and Disc/Vane: Cast iron.

O-rings: Buna-N or Fluoroelastomer.

Stem: Steel.

**Temperature Limits:** Buna-N: 180°F (82°C), Fluoroelastomer: 300°F (149°C).

Model	S.A.E. Flange Size
SAE-20	2"
SAE-25	2-1/2"
SAE-30	3"
SAE-40	4"
SAE-50	5"

**Fluoroelastomer O-ring seals.** Add VIT suffix (SAE-30-VIT)

**Locking handle.** Add LHR suffix (SAE-30-LHR)