




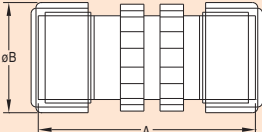
Series  
BHC


# Bulk Head Connector

Coupling Accessories

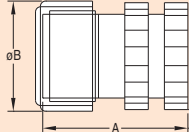


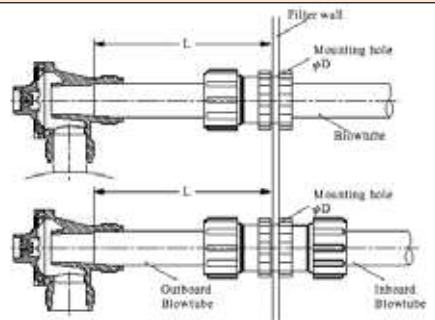
**BHC35DD**





**BHC35D**





Model	A in (mm)	B in (mm)	D in (mm)	Min L in (mm)
BHC20D	2-3/8" (60.5)	2-5/16" (58.5)	1-25/32" to 2" (45 to 51)	3-27/32" (97)
BHC20DD	3-19/32" (91)	2-5/16" (58.5)	(45 to 51)	(97)
BHC25D	2-23/32" (69)	2-3/4" (70)	2-7/32" to 2-7/16"	4-21/32" (118)
BHC25DD	3-31/32" (101)	2-3/4" (70)	(56 to 62)	(118)
BHC35D	2-15/16" (75)	3-15/32" (88)	2-27/32" to 3-1/16"	6-3/16" (157)
BHC35DD	4-11/32" (110)	3-15/32" (88)	(72 to 78)	(157)

**Series BHC Bulk Head Connectors** allow for easy installation of blow tube through the dust collector wall and eliminate the need for welding or use of additional flanges. The fittings enable easy removal and reassembly of blow tubes for cleaning and maintenance. BHC models are available in single connection for through tube mounting or double connection for two piece tube mounting.

## SPECIFICATIONS

**Service:** Compatible gases.

**Wetted Material:** Body, Ring nut, DIN nut: aluminum; Washer: SS41; Gasket: NBR.

**Pressure Limits:** 124.7 psi (8.6 bar).

**Temperature Limits:** -4 to 185°F (-20 to 85°C).

Model	Size	Connections
BHC20D	3/4"	One
BHC20DD	3/4"	Two
BHC25D	1"	One
BHC25DD	1"	Two
BHC35D	1-1/2"	One
BHC35DD	1-1/2"	Two