

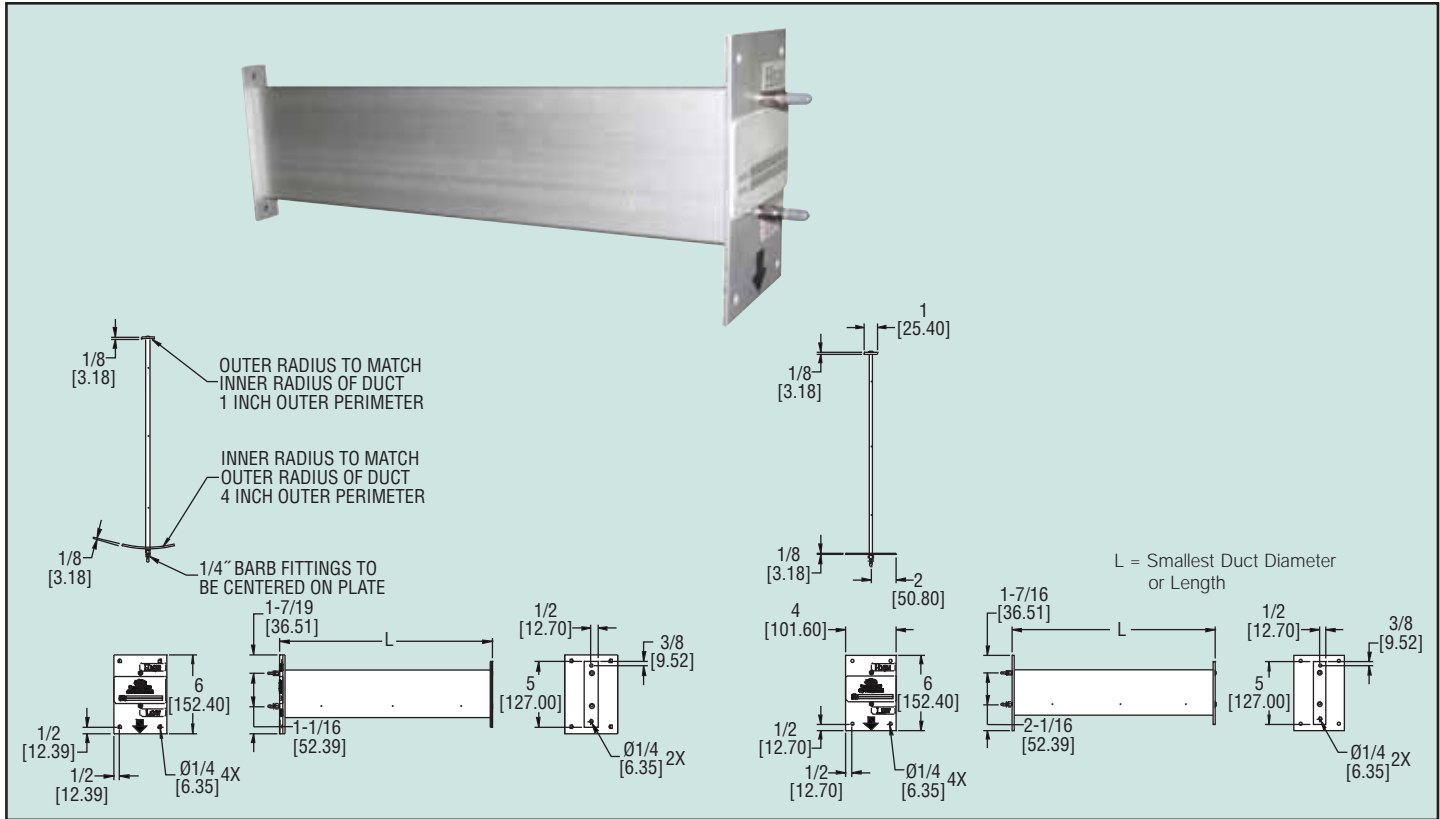


Series
DAFM

Duct Air Flow Measuring Probe

Lightweight, Durable, & Easy to Install

Air Velocity



The Model DAFM Duct Air Flow Measuring Probe uses evenly distributed total and static pressure measuring points to deliver an accurate measurement of flows in a duct. The Air Flow Measuring Probe can be completely installed from outside of the duct making it very easy to install. With its lightweight and durable construction in addition to its ease of installation, this product lends itself to being used in the HVAC industry. These air flow measuring probes may be ordered for either round or rectangular ducts.

In order to ensure accurate measurements you must determine the number of probes needed for your size duct. If the duct is rectangular, then consult the chart to determine appropriate quantity of probes.

Short Duct Dimension	<12'	12' - 23'	24' - 35'	36' - 59'	60' - 89'	>89'
Number of Probes	1	2	3	4	5	6

If the duct is round, it is only necessary to purchase two probes for any size of duct and mount them perpendicular to each other.

SPECIFICATIONS

Wetted Materials: Aluminum with clear anodized finish.

Accuracy: ±2% (Note: Field Calibration May Be Required).

Max. Temperature: 400°F (204°C).

Minimum Design Flow: 400 fpm (2.03 m/sec).

Maximum Design Flow: 12,000 fpm (60.96 m/sec).

Process Connections: 1/4" barb.

Straight Run Requirements: 5 diameters or longest side dimensions.

Model Number	Duct Shape	Smallest Duct Diameter Or Length
DAFM-000	Round	6" (15.24 cm)
DAFM-001	Round	8" (20.32 cm)
DAFM-002	Round	10" (25.4 cm)
DAFM-003	Round	12" (30.48 cm)
DAFM-004	Round	14" (35.56 cm)
DAFM-005	Round	16" (40.64 cm)
DAFM-006	Round	18" (45.72 cm)
DAFM-007	Round	20" (50.8 cm)
DAFM-008	Round	22" (55.88 cm)
DAFM-009	Round	24" (60.96 cm)
DAFM-100	Rectangular	6" (15.24 cm)
DAFM-101	Rectangular	8" (20.32 cm)
DAFM-102	Rectangular	10" (25.4 cm)
DAFM-103	Rectangular	12" (30.48 cm)
DAFM-104	Rectangular	14" (35.56 cm)
DAFM-105	Rectangular	16" (40.64 cm)
DAFM-106	Rectangular	18" (45.72 cm)
DAFM-107	Rectangular	20" (50.8 cm)
DAFM-108	Rectangular	22" (55.88 cm)
DAFM-109	Rectangular	24" (60.96 cm)

For larger sizes up to 96' (243.84 cm), please contact factory.