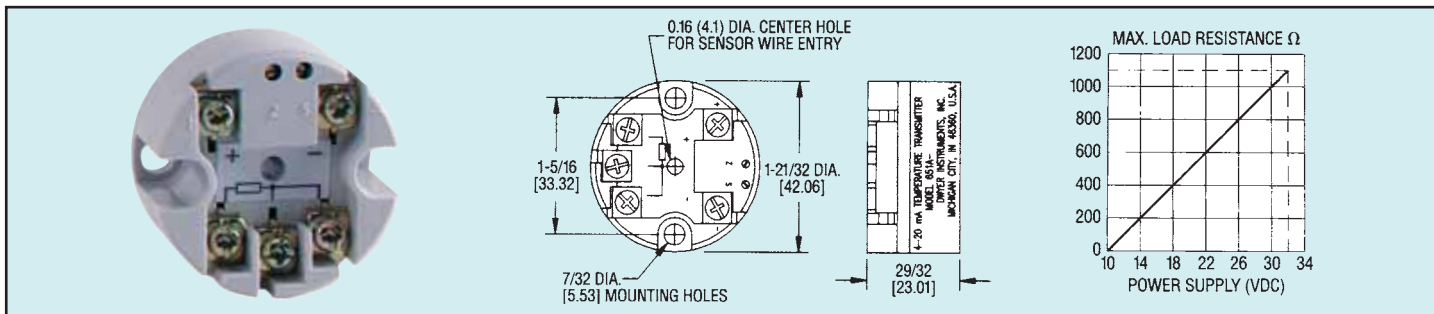




Series
651

Temperature Transmitter

RTD or Thermocouple Input, Zero and Span Adjust, Linearized 4-20 mA Signal



Linearized output for precise temperature monitoring or control is combined with small size and quick, easy mounting. Rugged Series 651 transmitters are designed for use with 2 or 3 wire Pt100 RTDs (to DIN standard 43760 or BS1904) or ungrounded Type K thermocouples. Thermocouple models 651TC are cold junction compensated, automatic 32 to 160°F (0 to 70°C) with upscale burnout. These economical devices provide the accuracy and reliability you need at the lowest possible cost.

SPECIFICATIONS

Input: 2 or 3-wire Pt100 RTD (models 651A), or ungrounded Type K thermocouple (models 651TC).

Output: 4-20 mA DC, linearized. **Transmitter Type:** 2-wire.

Output Impedance: 700Ω @ 24 VDC.

Power Requirements: 10-32 VDC, reverse connection protected.

Accuracy: ±0.2°C plus 0.2% reading (models 651A), ±0.1% FS plus cold junction errors (models 651TC).

Temperature Drift: ZERO drift typical 0.02%/°C (0.09°F), SPAN typical 0.005%/°C (0.0036°F).

Temperature Limits: Ambient: 32 to 122°F (0 to 50°C).

Maximum Storage Temperature: 160°F (70°C).

Response Time: 10-90% in 200 ms (models 651A), 70% in 2 ms (models 651TC).

Agency Approvals: CE.

Model	Input Type	Range, °F (°C)
651A-10	Pt100 RTD	32-212 (0-100)
651A-20	Pt100 RTD	32-392 (0-200)
651A-40	Pt100 RTD	32-752 (0-400)
651TC-01	Type K Thermocouple	32-212 (0-100)
651TC-02	Type K Thermocouple	32-392 (0-200)
651TC-04	Type K Thermocouple	32-752 (0-400)
651TC-06	Type K Thermocouple	32-1112 (0-600)

ACCESSORY

A-709, Optional enclosure for Series 651 Transmitters. NEMA 1 protective housing is 3" x 2 1/8" (76 x 54 mm). Supplied with mounting hardware, strain relief fitting and assembly instructions (See page 318)