

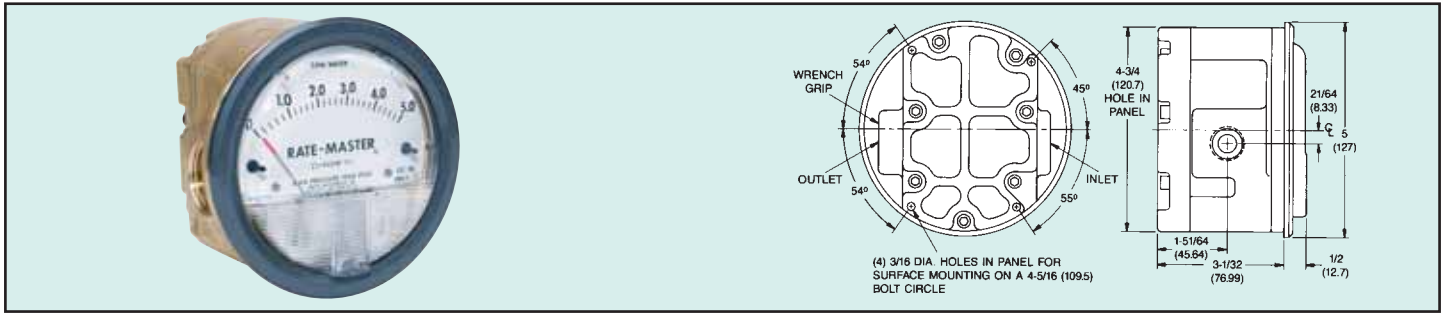


Series RMV

# Rate-Master® Dial-Type Flow meter s

Brass Body; Three Ranges to 20 GPM Water

Flow



**Series RMV Rate-Master® Flowmeters** measure higher water flow rates with  $\pm 2\%$  of full scale accuracy at affordable prices. Rugged forged brass housing is standard on all models for great compatibility and the strength to withstand system pressures to 1000 psig (68.9 bar). Unlike glass tube rotameters, these units won't shatter and they work fine with even dark and/or opaque liquids. Stocked models are fitted with 1" female NPT inlet and outlet;  $\frac{3}{4}$ " and  $\frac{1}{2}$ " sizes are also available. Install in line, supported by piping or flush panel mount with complete hardware package included.

## MODELS

Model Number	Range, GPM Water	Connection Size
RMV-1-3	0-5	1" female NPT
RMV-2-3	0-10	1" female NPT
RMV-3-3	0-20	1" female NPT
RMV-1-2	0-5	$\frac{3}{4}$ " female NPT
RMV-2-2	0-10	$\frac{3}{4}$ " female NPT
RMV-3-2	0-20	$\frac{3}{4}$ " female NPT
RMV-1-1	0-5	$\frac{1}{2}$ " female NPT
RMV-2-1	0-10	$\frac{1}{2}$ " female NPT
RMV-3-1	0-20	$\frac{1}{2}$ " female NPT

**Adjustable Signal Flag** — Option adds external pointer to indicate flow limit. Add -ASF suffix. Example: RMV-1-3-ASF

## APPLICATIONS

Monitor coolant flow through ingot heaters, high-amp switchgear, resistance welders, heat exchangers, compressors, scrubbers; monitor water consumption to different processes and operations for more efficient operation; calculate required fill or drain times for tanks, water towers.

## SPECIFICATIONS

**Service:** Compatible liquids.

**Wetted Materials:** Brass, copper, 302 SS, sintered barium ferrite.

**Temperature Limits:** 20 to 200°F (-6.7 to 93°C).

**Pressure Limit:** 1000 psig (68.9 bar).

**Pressure Drop:** 0-5 GPM: 3.2 PSID; 0-10 GPM: 5.3 PSID; 0-20 GPM: 10.4 PSID.

**Accuracy:**  $\pm 2\%$  of full scale.

**Size:** Diameter dial face 4" (101.6 mm).

**Process Connections:** See chart.

**Maximum Flow:** 1.5 x full scale reading.

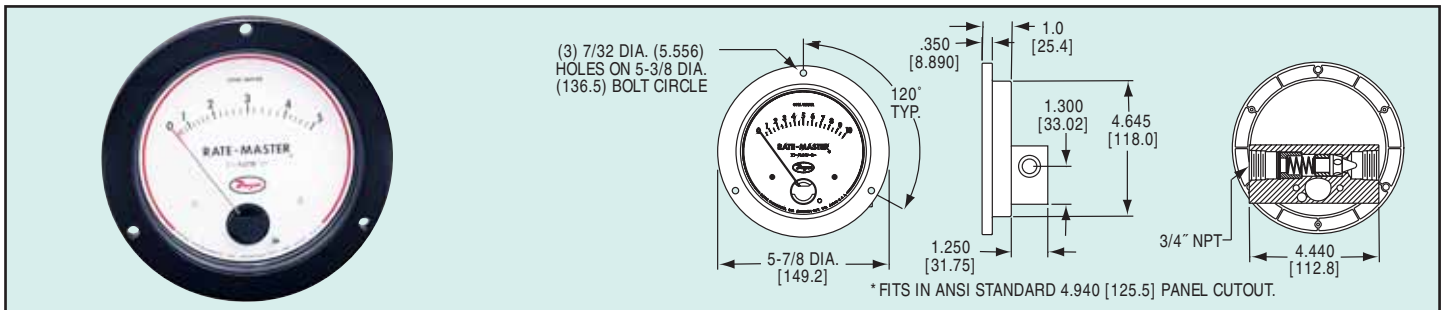
**Weight:** 9 lb (4.08 kg).



Series RMV II

# Rate-Master® Dial-Type Flow meter

For Panel Mounting, Three Ranges to 10 GPM Water



**Series RMV II Rate-Master®** flowmeters employ a target-type design combined with a damage resistant magnetic linkage to drive a pointer over an easy-to-read litho scale. This unique construction fully isolates flowing media from gage front for leakproof operation at pressures to 3000 psig (206.7 bar) with  $\pm 5\%$  of full scale accuracy. Solid machined brass meter body is ideally suited for water flows. Body design fits standard  $4\frac{1}{2}$ " mounting hole layouts per ANSI B40.1. Inlet and outlet threads are standard  $\frac{3}{4}$ " female NPT.

## MODELS

Model Number	Range GPM Water	Range SCFM	Range LPM Air	Model Number	Range GPM Oil	Range SCFM	Range LPM Air	Range LPM Oil
RMVII-1	0-3			RMVII-12	--	0-30	0-850	
RMVII-3	0-5			RMVII-14	--	0-50	0-1400	
RMVII-6	0-10			RMVII-20	0-2.2	--	--	0-8
RMVII-10	--	0-10	0-280	RMVII-21	0-4.0	--	--	0-15
				RMVII-22	0-8.5	--	--	0-32

## SPECIFICATIONS

**Service:** Compatible gases & liquids & oils.

**Wetted Materials:** Brass, 302 SS, sintered barium ferrite, polyacetyl.

**Temperature Limit:** 200°F (93°C).

**Pressure Limit:** 3000 psig (206 bar).

**Pressure Drop:** 0-5 GPM: 3.2 psid; 0-10 GPM: 5.3 psid; 0-20 GPM: 10.4 psid.

**Accuracy:**  $\pm 5\%$  of full scale.

**Size:** Diameter dial face 4.5" (114.3 mm).

**Process Connections:** 3/4" female NPT.

**Weight:** 2 lb, 14 oz (1.3 kg).