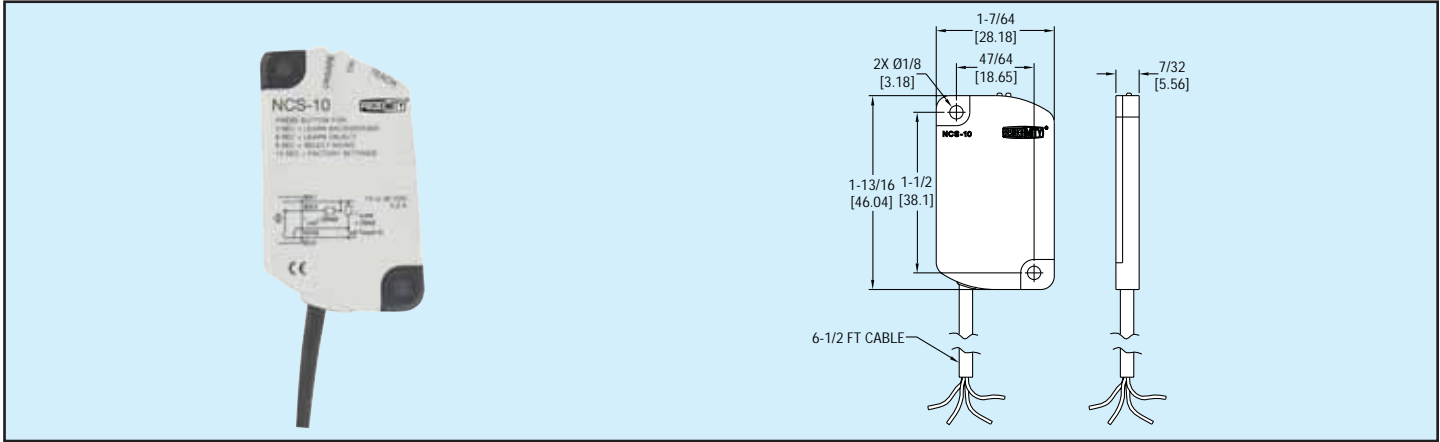




Series
NCS-10

Through Wall Capacitive Sensor

Non-Contact, Thin Profile Level Sensor



Level

Series NCS-10 Through Wall Capacitive Sensor features a thin profile with a sensing distance of 10 mm non-flush mounted. The switching points can be altered by means of the push-button Teach-in function. 3-wire DC output with selectable make (NO) or break (NC) switching and NPN Alarm. The NCS-10 is designed for front, pipe or plane mounting. Capacitive sensors can detect metallic as well as non-metallic objects; however, their traditional use is for non-metallic materials such as: plastics industry, chemical industry, wood industry, ceramic and glass industry, and packing industry.

FEATURES

- Thin Profile Capacitive Level Sensor
- Withstands electrostatic discharge up to 40 KV
- Sensing distance: 0.039 - 0.39" (1 - 10 mm)
- Teach-in of sensing distance via push-button or wire-Input
- Selectable make or break switching by means of Teach-in function
- Protection: Short-circuit, transients and reverse polarity
- Alarm Output
- Alarm output when operating current > 250 mA

NCS-10P, PNP
NCS-10N, NPN

SPECIFICATIONS

Service: Solids, liquids, or slurries.

Temperature Limits: Operating temperature: -20 to 80°C (-4 to 176°F); Storage temperature: -40 to 185°F (-40 to 85°C).

Enclosure Rating: NEMA 4X (IP68).

Repeatability: 5%.

Power Requirements: 10 to 30 VDC (ripple incl.).

Switch Type: NPN or PNP.

Electrical Rating: 200 mA (continuous).

Rated Operating Distance (S_n): 0.39" (10 mm).

Sensing Range: 0.039 - 0.39" (1 - 10 mm) (factory set at 10 mm).

Sensitivity Effective Operating Distance (S_r): Adjustable (teach-in) $0.9 \times S_n \leq S_r \leq 1.1 \times S_n$.

Usable Operating Distance (S_u): $0.8 \times S_r \leq S_u \leq 1.2 \times S_r$.

Hysteresis: Depending on Teach-in.

Ripple: ≤10%.

No-load Supply Current: ≤12 mA.

Voltage Drop: ≤2.5 VDC @ max. load.

Protection: Short-circuit, reverse polarity, transients.

Frequency of Operating Cycles: 10 Hz.

Indication: For output ON: LED, Yellow; For safe/unsafe: LED, Green.

Connection: Cable: Black, 6.5 ft (2 m), 4 x 0.14 mm², oil proof, PVC.

Weight: 50 g.

Approvals: CE.