



DCCP

Degassed Cation Conductivity Panel

Simple and Compact Cycle Chemistry Validation

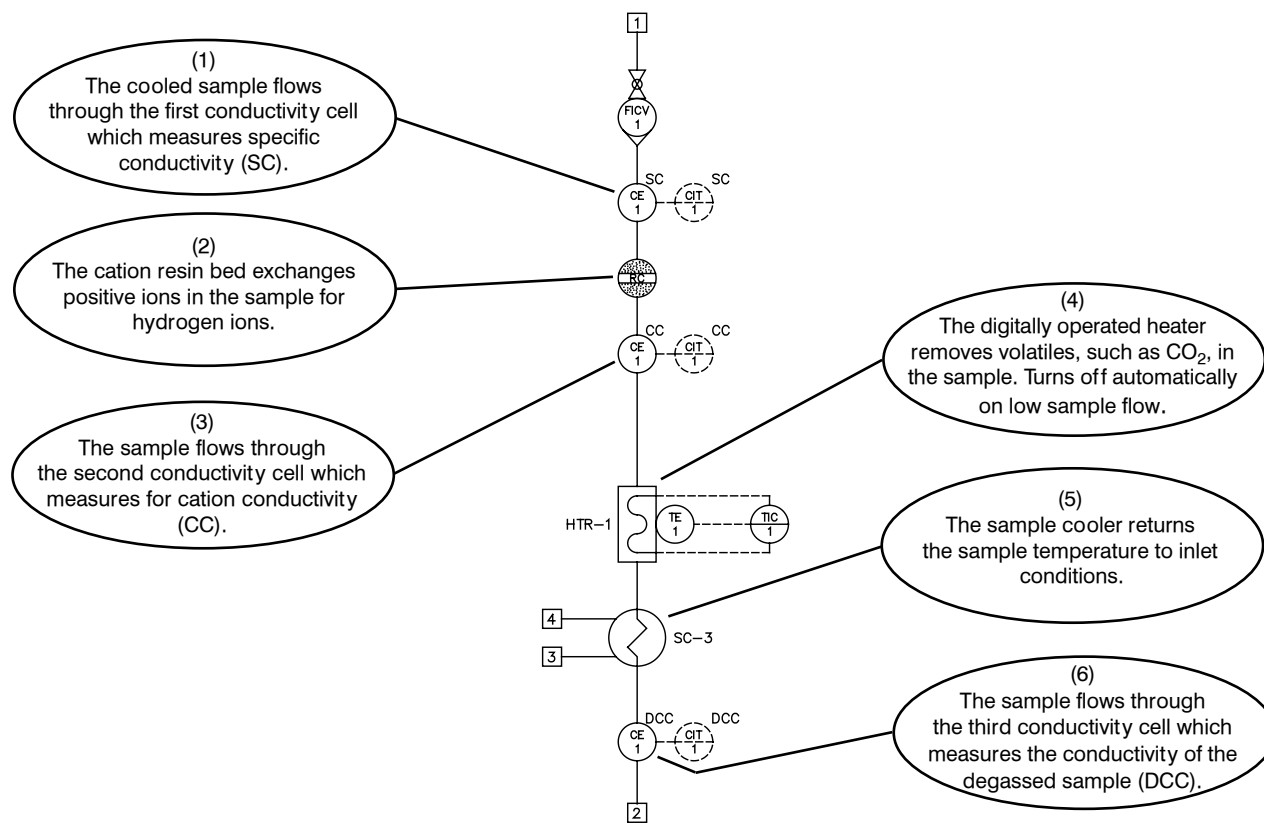


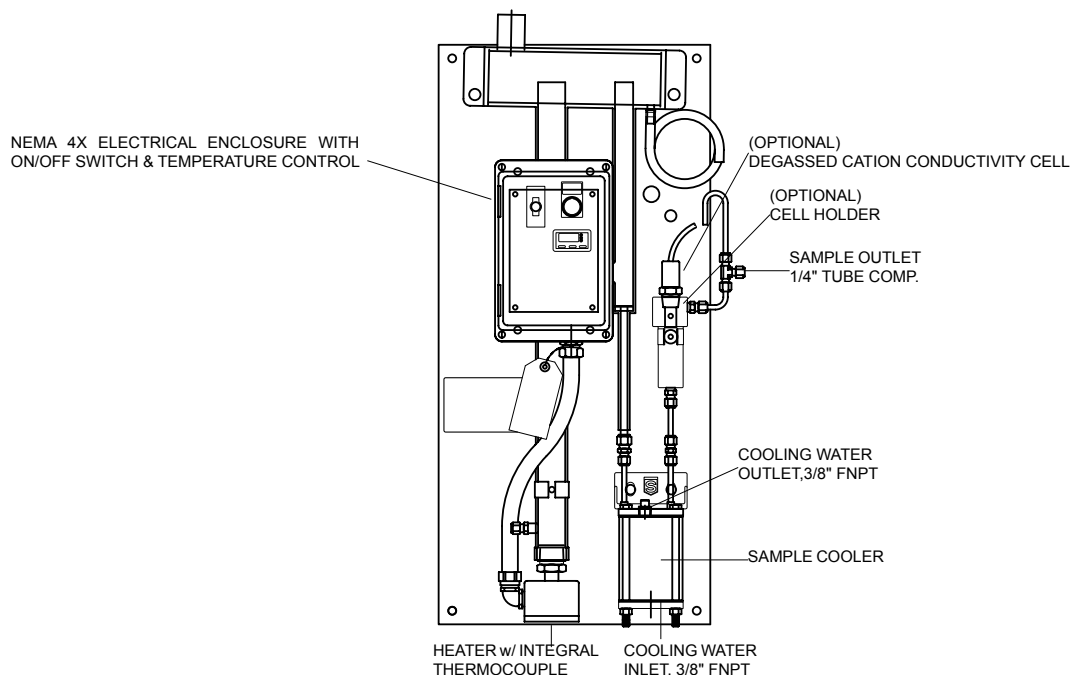
DCCP DEGASSED CATION CONDUCTIVITY PANEL

Features

- Capable of measuring specific conductivity (SC), cation conductivity (CC) and degassed cation conductivity (DCC)
- Operates in accordance with ASTM D4519
- Sample cooler ensures CC and DCC probes receive identical sample temperatures, eliminating errors
- Compact wall mount design

Sample Flow Diagram





SPECIFICATIONS

Dimensions	32" x 15" x 12" as shown
Weight	60 pounds
Pressure Rating	100 psig (7 barg)
Temperature Rating	130°F (55°C) with RC-100 before degas
Sample Flow	100-150 cc/min
Sample Inlet Connection	1/4" tube fitting
Sample Outlet Connection	1/4" tube fitting
Sample Cooler Type	TEB-4221
Cooler Cooling Water Connections	3/8" FNPT
Cooling Water Consumption	1-3 gpm
Input Power	110-120/220-240 VAC, 1 Phase, 50/60 Hz
Power Consumption	1.6 KVA
Cell Holders (optional)	3/4" FNPT, 316 SS
Resin Column (optional)	Sentry RC-100

DCCP Model Number Options

A: Voltage	B: Cell Holders	C: Flow Indicator with valve	D: Analyzers/Probes
1 = 110-120 VAC, 1 Ph., 50/60 Hz 2 = 220-240 VAC, 1 Ph., 50/60 Hz	0 = None 1 = DCC 2 = CC & DCC (with RC-100) 3 = SC, CC & DCC (with RC-100)	0 = None 1 = Yes	0 = Customer Supplied 1 = Supplied by Sentry (Customer to specify)

WARNING

It is solely the responsibility of the end-user, through its own analysis and testing, to select products and materials suitable for their specific application requirements, ensure they are properly installed, safely applied, properly maintained, and limit their use to their intended purpose. Improper selection, installation, or use may result in personal injury or property damage.

CE European Authorized Rep:
OBELIS
Bd. General Wahis 53-1030
Brussels Belgium



SENTRY EQUIPMENT CORP

966 Blue Ribbon Circle North
Oconomowoc, WI 53066 USA
Tel: 262-567-7256 • Fax: 262-567-4523

E-mail:
sales@sentry-equip.com

Website:
www.sentry-equip.com



For further information, contact:

Rometec srl

Via Alessandro Minuziano, 87 - 89
00128 - Roma
Tel 06-5061635 Fax 065061542
P.Iva 0412062100
www.rometec.it