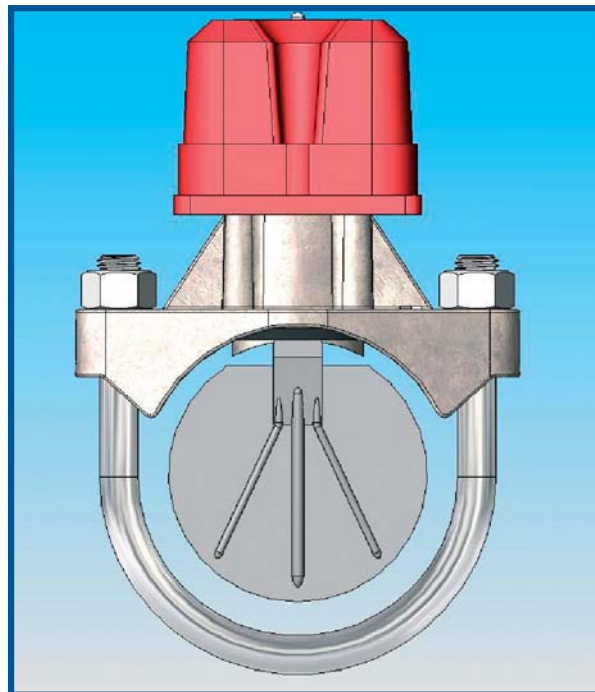
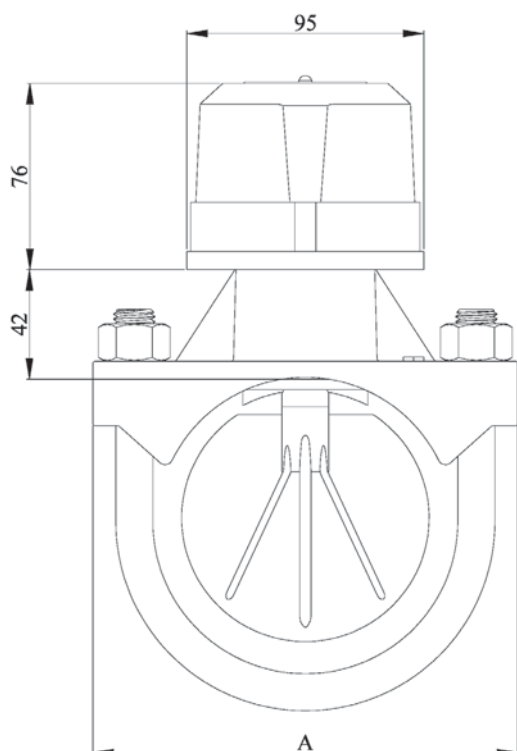


Water Flow Detector

FM Approved / LPCB / VdS / CE



Description

The vane type WFDE series water flow detector can be installed in either a vertical upflow or horizontal pipe run. It must be positioned at least 0.15m from any fitting that may change water flow or direction, and 0.61m from a valve or drain. It incorporates a mechanical retard feature to minimize the risk of false alarm.

- . Suitable for indoor and outdoor use, IP54 Enclosure.
- . Temperature range 0°C – 49°C
- . Flow rate band width 20 – 57 litres per minute
- . Two sets of Single Pole Double Throw (Form C) contacts, 10 A @ 125/250 VAC, 2.5 A @ 24 VDC
- . Tamper resistant cover

Pressure

Pressure Ratings: 17.5 Bar (LPCB)
 12 Bar (FM)
 16 Bar (VdS)

Dimensions

Model	Pipe Size (mm)	A (mm)	Hole Size (mm)	Weight (Kg)
WFD20E	50	117	32	1.85
WFD25E	65	117	32	1.85
WFD30-2E	80	132	51	2.05
WFD40E	100	172	51	2.36
WFD60E	150	229	51	3.03
WFD80E	200	273	51	3.45