



PN20 Threaded Bronze Swing Check Valve

Features

Valve Standards:

Conforms to MSS SP 80 BS5154 Series A

Test Pressure:

Body 3.0 Mpa
Seat 2.0 Mpa

Working Pressure and Temperature:

Working Pressure: PN20
Working Temperature: -10°C to 170°C

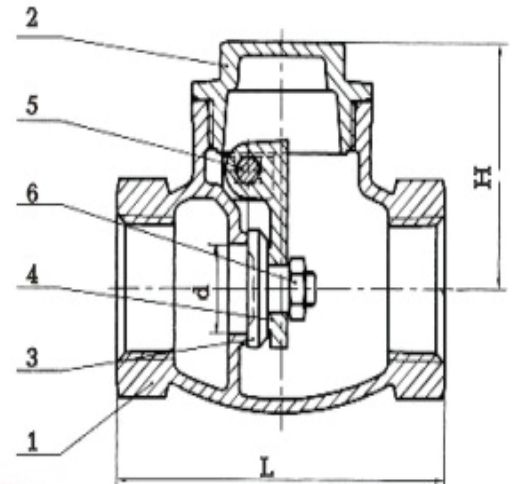
Working Medium:

Water, Oil, Steam



Material Specification

	Part Name	Material
1	Body	BS1400 LG2
2	Cap	BS1400 LG2
3	Disc	DZR Brass CW602N
4	Hinge	DZR
5	Hinge Pin	Stainless Steel 2Cr13
6	Hinge Nut	DZR



Dimensions (mm)

Size	1/2" / 15	3/4" / 20	1" / 25	1-1/4" / 32	1-1/2" / 40	2" / 50
D	13	19	25	32	39	50
L	58	66	76	88	96	112
H	37	43	49	57.5	63	72

Available with BSPT (metric) or NPT threads. Please specify on order

Rapidrop Global

Rutland Business Park, Newark Road, Peterborough, PE1 5WA, United Kingdom
Tel: +44 (0) 1733 847 510 Fax: +44 (0) 1733 833 958

e-mail: rapidrop@rapidrop.com web: www.rapidrop.com