

PN16 Threaded Brass Swing Check Valve

Features

Screwed BSP

Rubber seated as standard

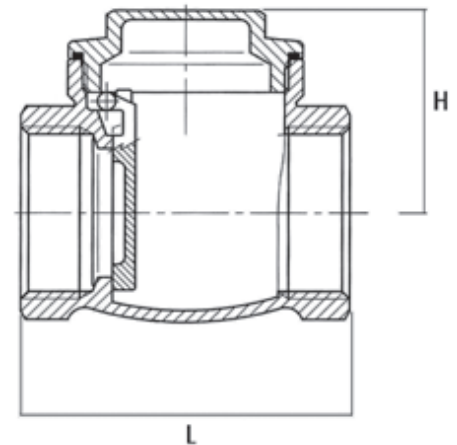
Metal seat available on request

Pressure/ Temperature Ratings

Max Working Pressure	3/8" to 3"	16 Bar
	4" to 6"	10 Bar

Pressure to open 0.05 Bar

Max Temperature 100°C



Material Specifications

Part Name	Materials
Body	Brass
Cap	Brass
Flap	Brass
Gasket	NBR

Dimensions

DN	Size	L	H	Kg
10	3/8"	47	30	0.16
15	1/2"	47	31	0.16
20	3/4"	54	34	0.21
25	1"	64	40	0.33
32	1 1/4"	76	46	0.49
40	1 1/2"	83	52	0.66
50	2"	98	57	1.03
65	2 1/2"	116	64	1.59
80	3"	135	77	2.20
100	4"	164	91	3.90
150	6"	235	134	15.00