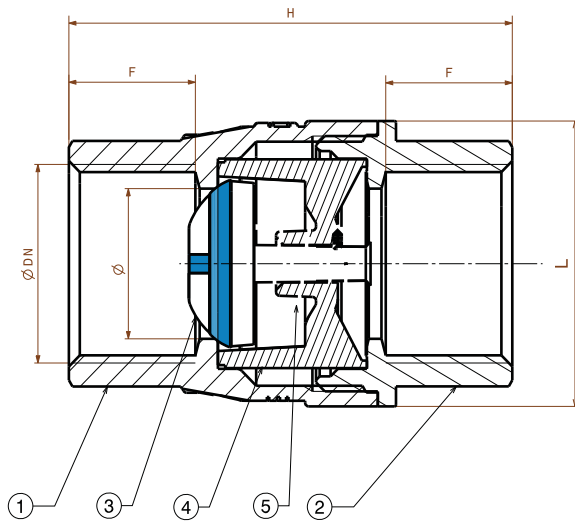


Brass Spring Check Valve



Description

Screwed BSP female full flow check valve, NBR seal, Polyacetal disc.

Pressure and Temperature

Maximum working pressure: 1/2" & 3/4" PN40
 1" & 1 1/4" PN25
 1 1/2" & 2" PN16

Working Temperature Range -10°C to 90°C

Dimensions

DN	Ø	H	L	F	PN	Kg
1/2" UNI ISO 7/1	15	56.3	30.5	16.5	40	0.125
3/4" UNI ISO 7/1	20	61.0	38.0	17.4	40	0.190
1" UNI ISO 7/1	25	74.8	46.5	20.7	25	0.320
1 1/4" UNI ISO 7/1	32	93.5	56.5	22.5	25	0.560
1 1/2" UNI ISO 7/1	40	99.4	68.0	22.8	16	0.830
2" UNI ISO 7/1	50	109.9	83.0	27.0	16	1.248

Material Specification

Item	Material	Standard
1 Body	CW617N	UNI EN 12165
2 Body	CW617N	UNI EN 12165
3 Seal	P.O.M. + SEBS 60ShA	-
4 Inner Case	P.O.M	-
5 Spring	AISI 302	-