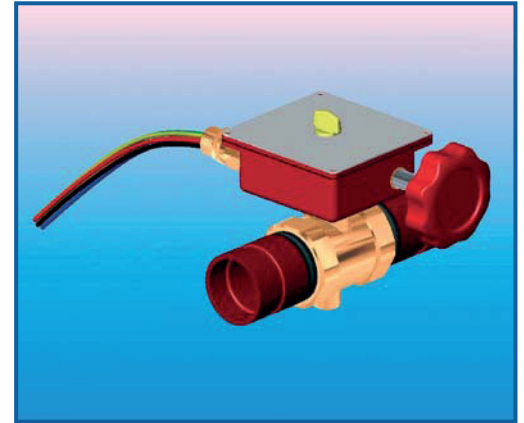
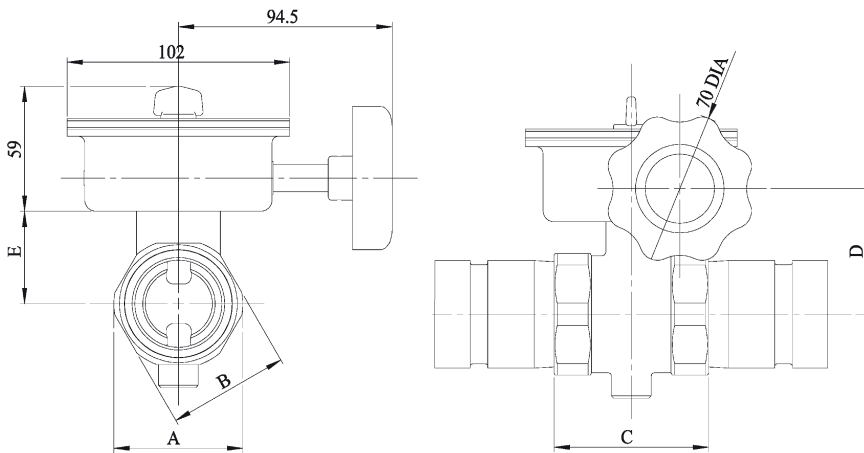


BT/BG 175 Bronze Butterfly Valve

UL Listed / FM Approved



Description

Size range 1 1/4", 1 1/2" NPT threaded with optional grooved adaptors. 2" grooved only.

Pressure & Temperature

Max Working Pressure: 12 Bar
 Max Test Pressure: 25 Bar
 Max Working Temperature: 120°C

Factory installed UL Listed Double Tamper Switch for Indoor and Outdoor Use

Dimensions

Size NPT/Grooved	Pipe O/D mm	A mm	B mm	C mm	D mm	E mm	Overall length with grooved adaptors mm	Weight Kg
32mm	42.2	54	49	67	56	41.0	140	1.7
40 mm	48.3	60	70	73	59	61.3	140	1.9
50 mm	60.3	N/A	N/A	114	64	49.0	N/A	2.3

Material Specification

Item	ASTM
Body	ASTM B-505
Disc	ASTM B-584 EPDM Encapsulated
Upper Stem	ASTM A-564 Type XM 12
Lower Stem	ASTM A-564 Type XM 12
Gear Housing Cove	ASTM A-619
Hand Wheel	ASTM A-619
Flag Indicator	ASTM B-16
York Mechanism	ASTM A-283
Stem Bushing	ASTM B-16
Conduit Connector	ASTM A-307
O-Rings (All)	EPDM Grade "E"
Cover Gasket	NBR

Rapidrop Global