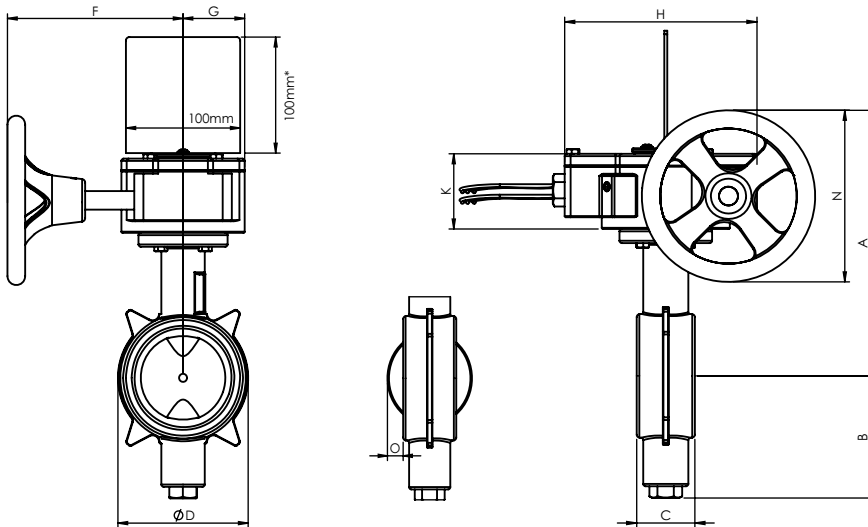
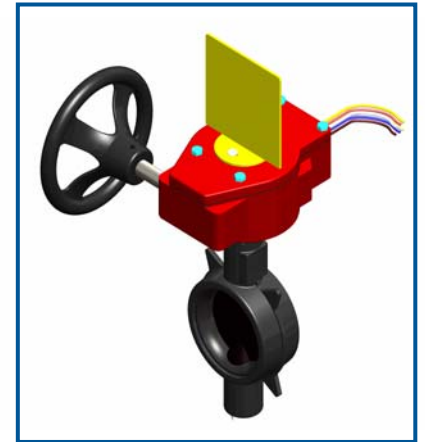


Wafer Butterfly Valve Model 203

PN20/300PSI



* 100mm (flag height) supplied as standard. 35mm available on request



Valve Standards: Complies with EN593/BS5155/MSS SP-67.

Working Pressure and Temperature

Working pressure PN20/300PSI.

Temperature from -10°C to 100°C for EPDM Seat.

Top Flange: Complies with ISO5211/1.

End-To-End: Dimensions according to MSS SP-67-2002.

Flange Type: BSEN 1092-2 PN16, ANSI B16.1 Class 125.

Operator

Gear operator. With two internal CE approved switches.

Dimensions

Size mm	A mm	B mm	C mm	ØD mm	F mm	G mm	H mm	K mm	N mm	O mm	Weight Kgs
50	278.0	80.0	43.0	103.0	158	54.0	165.0	65.0	150	3.4	7.8
65	292.0	89.0	46.0	120.0	158	54.0	165.0	65.0	150	7.8	8.6
80	298.0	95.0	46.0	128.0	158	54.0	165.0	65.0	150	15.0	8.9
100	317.0	114.0	52.0	165.0	158	54.0	165.0	65.0	150	24.5	10.2
125	330.0	127.0	56.0	191.0	158	54.0	165.0	65.0	150	32.4	12.3
150	343.0	145.0	56.0	216.0	158	54.0	165.0	65.0	150	48.4	13.3
200	377.0	175.0	60.0	268.0	158	54.0	165.0	65.0	200	69.4	17.7
250	472.0	223.0	68.0	325.0	230	75.0	172.0	75.0	285	89.5	29.8
300	518.0	245.0	78.0	399.0	238	78.5	193.0	77.0	285	110.4	40.8

Material Specification

Part Name	Material	EN Spec.	ASTM Spec.
Body	Ductile Iron	EN-JS1050	A536 65-45-12
Shaft	Stainless Steel	BS970 420S37	AISI 416
Disc	DI + NI	EN-JS1050	ASTM A536 65-45-12
Seat	EPDM Insert	EN-JS1050	A536 65-45-12
Bushing	PTFE	Commercial	Commercial
O-Ring	EPDM	Commercial	Commercial