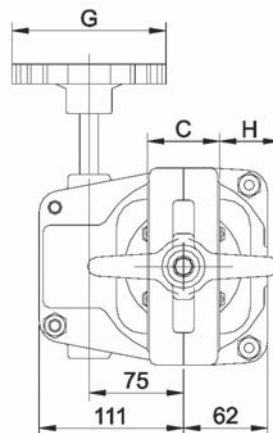
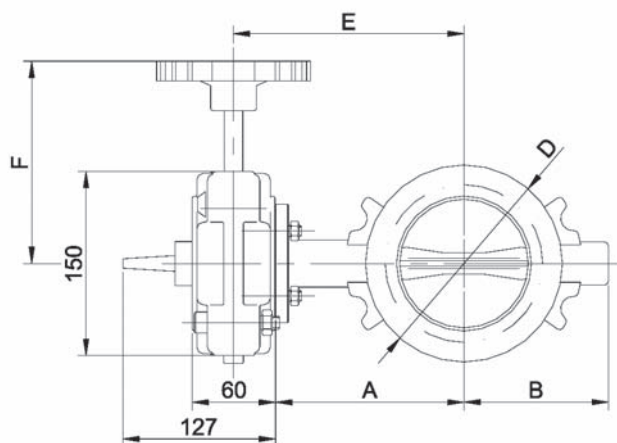


HRW300 Wafer Butterfly Valve

August 2009

FM Approved / UL Listed



Description

Universal wafer type Butterfly Valve suitable for connecting to ANSI B 16 Class 125, ISO 2084 / Din 2501 PN16 & BSEN 1092 PN 16 Flanges.

Factory installed Double Tamper Switch for indoor and outdoor use.

Pressure & Temperature

Max Working Pressure: 20.7 Bar
 Max Test Pressure: 41.4 Bar
 Max Working Temperature: 120°C

Dimensions

| Size | A mm | B mm | C mm | D mm | E mm | F mm | G mm | H mm | Weight Kg |
|--------|------|------|------|------|------|------|------|------|-----------|
| 65 mm | 136 | 87 | 46 | 105 | 166 | 135 | 128 | 8.2 | 9.8 |
| 80 mm | 143 | 93 | 46 | 125 | 173 | 135 | 128 | 14.5 | 10.8 |
| 100 mm | 156 | 109 | 52 | 150 | 186 | 135 | 128 | 22.7 | 12.4 |
| 150 mm | 188 | 144 | 56 | 205 | 218 | 193 | 220 | 45.4 | 17.6 |
| 200 mm | 222 | 166 | 58 | 265 | 252 | 193 | 220 | 69.1 | 22.6 |

Material Specification

| Item | Material |
|---------------------|------------------------------|
| Body | ASTM A-536 EPDM Encapsulated |
| Disc | ASTM A-536 Nylon Coated |
| Upper & Lower Stems | AISI 420-SS |
| Worm Gear Shaft | AISI 410-SS |
| Housing | ASTM A-536 |
| Hand Wheel | ASTM A-536 |
| Flag Indicator | ASTM A-536 |
| Shear Pin | ASTM A-510 |
| Segment Gear | ASTM B-148 |
| Housing Gasket | EPDM Grade "E" |
| O-Rings (All) | EPDM Grade "E" |