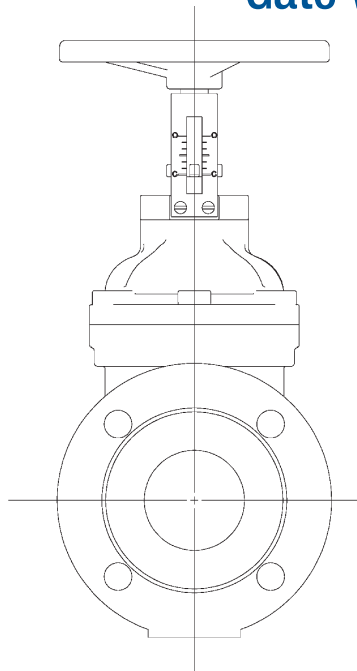
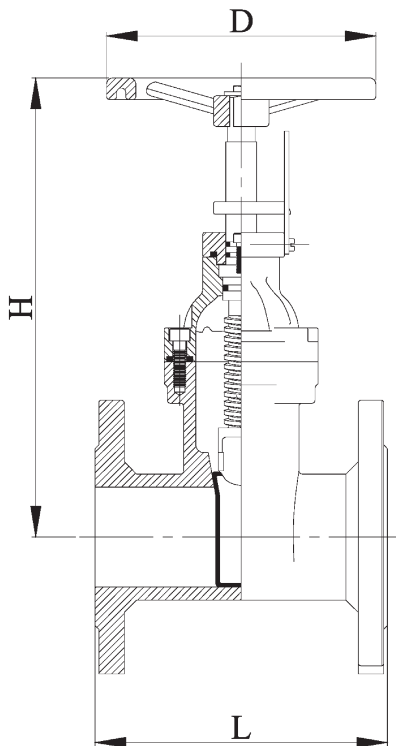




201F Non Rising Stem Resilient Wedge

Gate Valve (BS 5163, BS EN 1074)



Description

- BS 5163 Type A, BS EN 1074
- Open / Shut position Indicator
- Face to face dimension in accordance with BS5163
- Flange drilling in accordance with BS EN 1092 PN16 raised face
- Optional anti tamper switch
- Optional 1/2" BSP Plugged tapping

Pressure & Rating

- Max Working Pressure: 16 Bar
- Shell Test Pressure: 24 Bar

Dimensions

DN	50 mm	65 mm	80 mm	100 mm	125 mm	150 mm	200 mm	250 mm	300 mm
L (mm)	173	190	203	229	254	267	292	330	356
H (mm)	220	247	295	343	395	440	545	648	730
D (mm)	180	180	200	200	240	240	320	320	400
Weight Kg	16	18	21	28	36	50	75	122	140

Material Specification

- Item: Material
- Body: Cast Iron, EN1531 EN-GJL-250
- Stem: Stainless Steel BS970 416 S21
- Wedge: Cast Iron, EPDM coated
- Bonnet: Cast Iron DN1691 GG25
- Handwheel: Ductile Iron GG40

Rapidrop Global

