



Concealed Spray Pendent Sprinklers

Model A

RD009 / RD010 (Glass Bulb Type)

Standard Adjustable Concealed

Standard And Quick Response. Light And Ordinary Hazard

Ref: SPTDCSPP/E	
Page 1 of 4 Issue A April 8, 2009	Technical Data SIN: RD009-RD010

Product Description

Concealed

Concealed Sprinkler Identification Number RD009 (Standard) / RD010 (Quick).

All Rapidrop sprinklers are manufactured with the time-proven PTFE coated Belleville washer seal used by all major sprinkler manufacturers to ensure long life and safe operation.

The concealed sprinkler head is specifically designed to deliver excellent aesthetic appeal to the discerning designer. Our smaller, low profile cover plate ensures that the product is less obtrusive than other designs and the plate is available in a wide range of designer colours.

One piece design, with up to 1/2inch(12mm) adjustment allows installation and testing of the system prior to installing the cover plate.

Available in quick response and standard response for all applications.

Sprinkler Operation

The sprinkler operating device is a state of the art, heat responsive frangible glass bulb.

Once the operating temperature is reached the bulb shatters, opening the waterway and water flows over the deflector for smooth distribution over the design area of the sprinkler head.

Coverage

Standard coverage is dependent on individual national approvals.

If in doubt, contact the authority having jurisdiction.

NFPA – Light Hazard 225 Square Feet (20.9 Sq.M)

 Ordinary Hazard 130 Square Feet (12.1 Sq.M)

Technical Description

SIN: RD009 : RD010

Style: Adjustable Concealed, light/ordinary hazard

Nominal Orifice Size; 1/2"

K-Factor: 5.6 Imp. (80 S.I.)

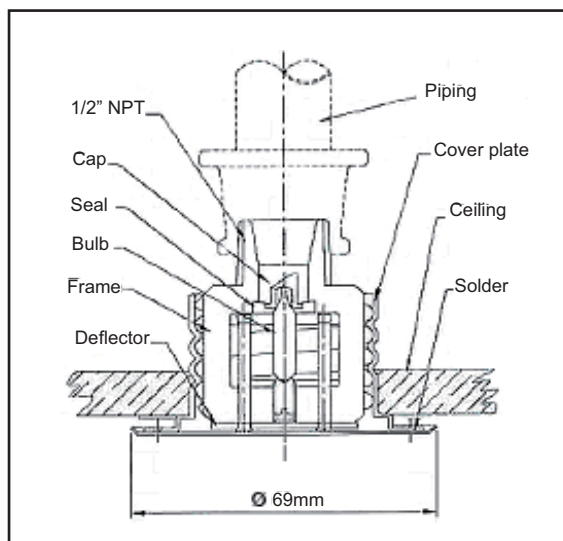
Thread Size: 1/2" NPT

Max. Working Pressure: 175psi. (12bar)

Factory Hydrostatic Test: 100%@ 500psi (34.5bar)

Min. Operating Pressure: 7psi (0.48bar)

Temperature Rating: 155°F (68°C) & 200°F (93°C)





Concealed Spray Pendent Sprinklers

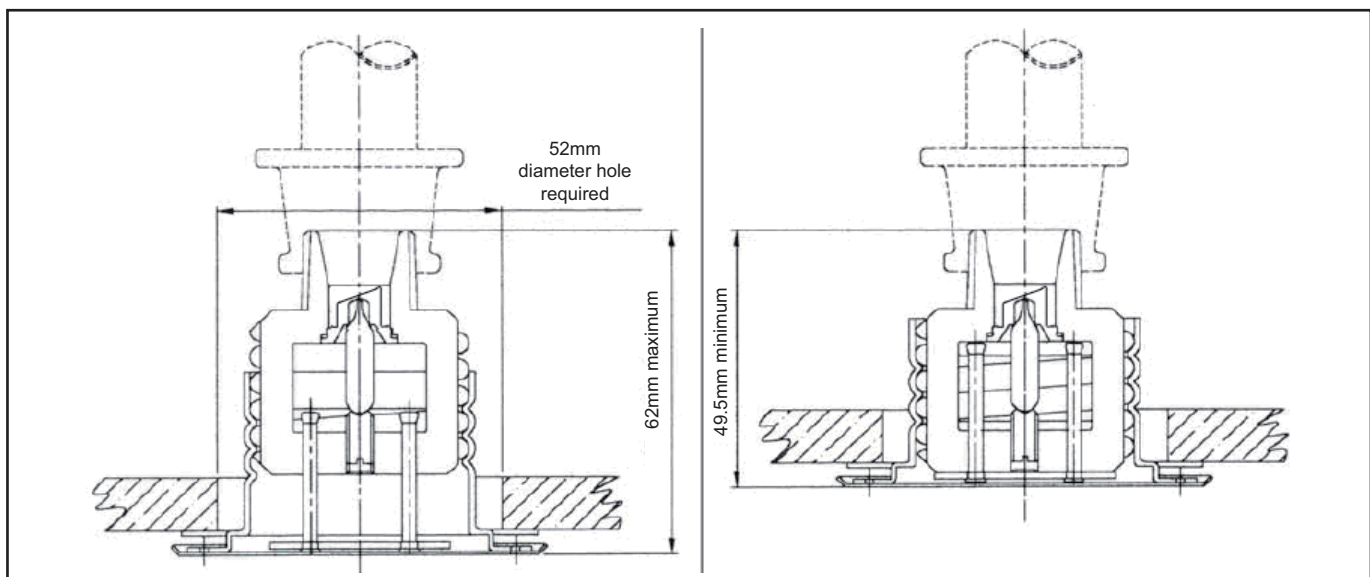
Material Specifications

Deflector: ASTM C22000 B36
 Cover Plate: Fusible Solder
 Bulb: Glass with glycerine solution
 Bulb Nominal Diameter: Standard 5.0mm
 Quick 3.0mm
 Load Screw: ASTM C36000 B16
 Cap: ASTM C36000 B16
 Seal: Belleville Washer – PTFE Coated
 Frame: ASTM 37700 B124

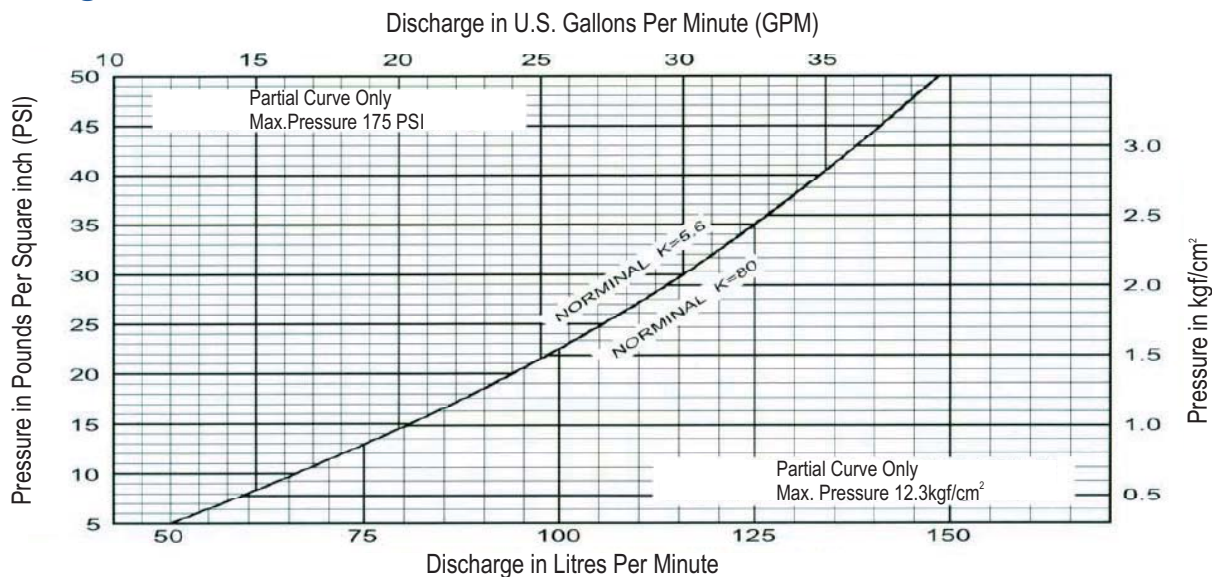
Accessories
 Installation wrench
Sprinkler Finish
 Plain brass (only)
Cover Finishes
 Chrome Plated
 Bright brass plated
 White painted
 Custom painted

Ref: SPTDCSPP/E	
Page 2 of 4 Issue A April 8, 2009	Technical Data SIN: RD009-RD010

Dimensions



Discharge Curve



Concealed Spray Pendent Sprinklers

Ref: SPTDCSPP/E	
Page 3 of 4 Issue A April 8, 2009	Technical Data SIN: RD009-RD010



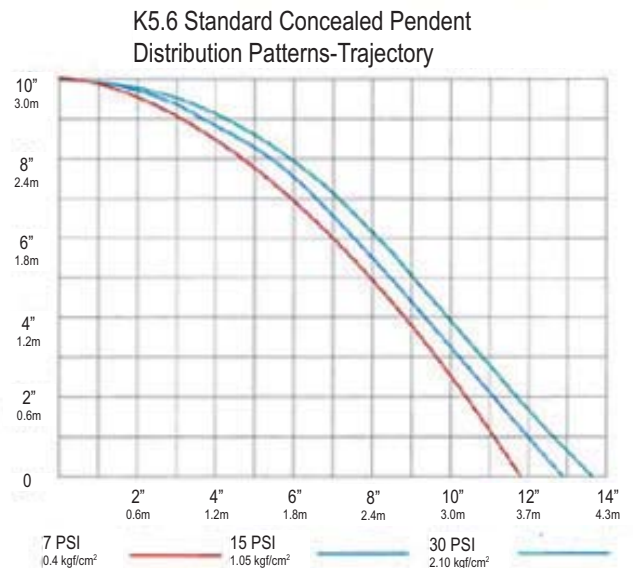
Available Wrenches



RAPIDROP CONCEALED WRENCH MUST ALWAYS BE USED FOR INSTALLING THESE CONCEALED SPRINKLERS.

Use of other wrenches or devices could lead to damage to the sprinkler and non-operation in a fire condition. Use of other wrenches or devices voids any and all warranties whether express or implied.

Technical Description





Concealed Spray Pendent Sprinklers

Ref: SPTDCSPP/E

Page 4 of 4 Issue A
April 8, 2009

Technical Data
SIN: RD009-RD010

Approval / Listing

Nominal Size Inch/mm	Thread	K-Factor Imperial/SI	Response	Approval Listing
1/2"/15mm	1/2"NPT	5.6/80	Standard	UL
1/2"/15mm	1/2"NPT	5.6/80	Quick	UL

Ratings

Sprinkler Temperature Classification	Nominal Sprinkler Temperature Rating	NFPA Maximum Ambient (Ceiling) Temp. Allowed	Glass Bulb Colour	Cover Temperature
Ordinary	155° / 68°C	100° / 38°C	Red	135° / 57°C
Intermediate	200° / 93°C	150° / 65°C	Green	165° / 74°C