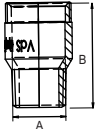
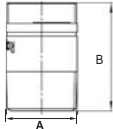
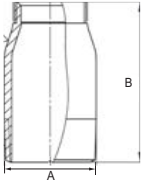
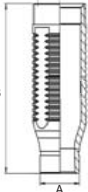
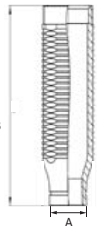
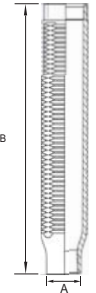
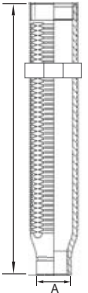


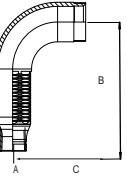
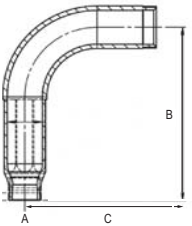
## Rapidrop® Flexible Sprinkler Connections Inlets, Outlets & Support Brackets



### Dimensions

	Inlet Options			Outlet Options			
							
A	R 3/4 (3/4" BSPT)	R1 (1" BSPT)* or 1" NPT	R1.1/4 (1.1/4" BSPT)	Rc 1/2 (1/2" BSPT) or 1/2" NPT	Rc 1/2 (1/2" BSPT) 1/2" NPT* or Rc 3/4 (3/4" BSPT) 3/4" NPT	Rc 1/2 (1/2" BSPT) or 1/2" NPT	Rc 1/2 (1/2" BSPT) or 1/2" NPT
B mm	55	55	78	85	110	170	170
C mm	-	-	-	-	-	-	-
	* Standard Thread			Use with A2 Bracket			



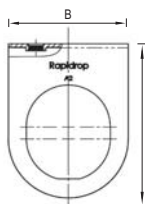

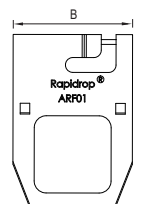
	Outlet Elbows	
		
A	Rc 1/2 (1/2" BSPT) 1/2" NPT* or Rc 3/4 (3/4" BSPT) 3/4" NPT	Rc 1/2 (1/2" BSPT) 1/2" NPT* or Rc 3/4 (3/4" BSPT) 3/4" NPT
B mm	110	137
C mm	65	100
	Use with A2 Bracket	Use with A2A Bracket

### Material Specifications

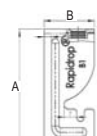
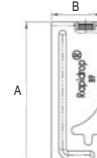
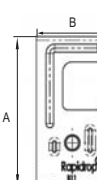

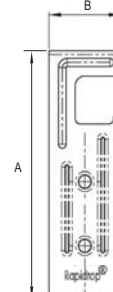
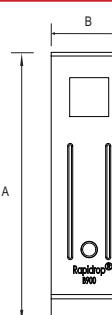
All inlets and outlets are made from carbon steel, zinc plated.

## Rapidrop® Flexible Sprinkler Connections Inlets, Outlets & Support Brackets



	A2	A2A	ARF01
			
A mm	65	62.5	74
B mm	50	50	50



	B1	B9	B11	B4-1E	B7	B900
						
A mm	38	53	60	90	99	107
B mm	20	20	30	30	30	30
	Plasterboard	Extended Plasterboard	Lift Out Ceiling Tile Pendent Sprinkler	Lift Out Ceiling Tile (FM Approved)	Lift Out Ceiling Tile Concealed Sprinkler	Plasterboard Ceiling Concealed Sprinkler

International patent pending.

### Material Specifications

All brackets are made from mild steel, zinc plated.

## Rapidrop® Flexible Sprinkler Connections Inlets, Outlets & Support Brackets

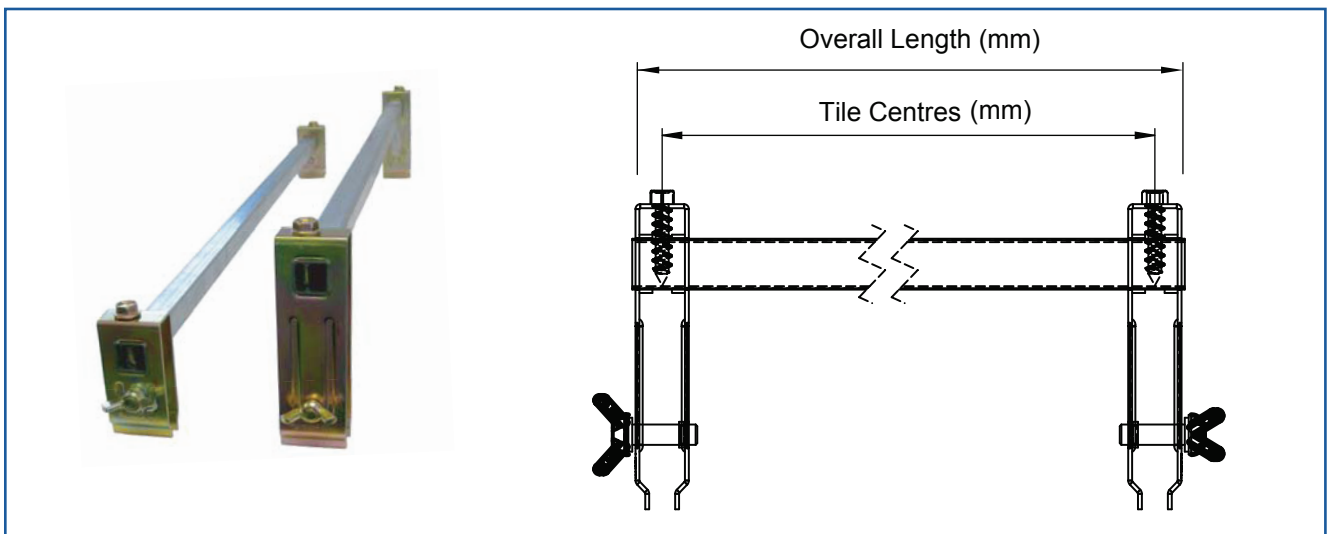
### Square Bar

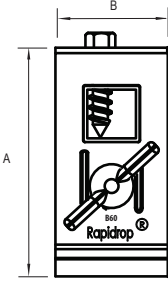
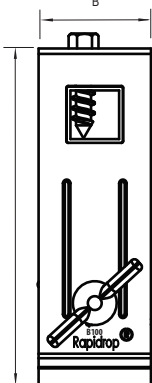
Length (mm)	640	800	1000	1240	1600
-------------	-----	-----	------	------	------

### Material Specifications

Square Bars are made from mild steel, zinc plated.

### Bracket Assembly



	B60 / 600	B100 / 600
		
A mm	60	100
B mm	30	30
Sprinkler type	Pendent	Concealed
Tile Centres mm*	600	600
Overall Length mm	618	618

International patent pending.

\*Optional 610mm, 625mm

Rapidrop Global