



Rapidrop® Flexible Sprinkler Connection

(For Wet Pipe Sprinkler Systems)

Description

The unique Rapidrop® system easily positions the sprinkler in the centre of the ceiling tile at the correct height and can be installed in 10 to 15 minutes. The concept is very simple and breathtakingly efficient.

Rapidrop® is a complete unit, a corrugated stainless steel flexible with nipple, reducer, bar and brackets, which are fitted to the ceiling tile support rails to locate and secure the sprinkler in the correct position. As well as considerably reduced installation time, the risk of mess (from the cutting and threading activity associated with the traditional armover method) in the clean area below the suspended ceiling is eliminated, allowing other activities to proceed more efficiently.

FM Approved



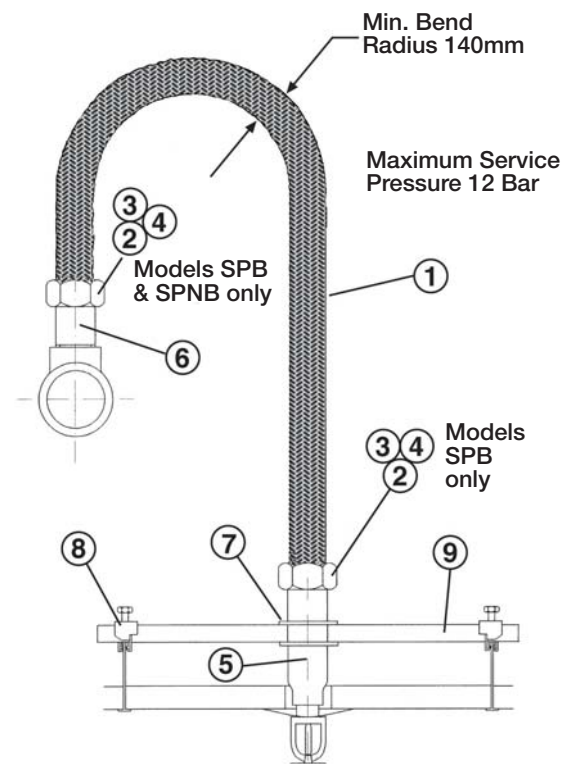
Pressure Rating

Max Service Pressure: 12 Bar

Inlet R1 or 1" NPT
 Outlet A = Rc1/2 or 1/2" NPT
 B = Rc3/4 or 3/4" NPT

Standard Lengths

Product	Length	Equivalent Pipe Length Schedule 40
Rapidrop® SPB-1A	0.78m	4.5m
Rapidrop® SPB-2A	1.22m	8.5m
Rapidrop® SPB-3A	1.54m	15.3m
Rapidrop® SPB-4A	1.88m	16.3m
Rapidrop® SPB-5A	2.54m	20.4m



Material Specification

Ref	MODEL SPB	MODEL SPNB	MODEL SPWB
No. Description	Qty Material	Qty Material	Qty Material
1 Flexible & Braiding	1 AISI 304	1 AISI 304	1 AISI 304
2 Nut	2 SS400 Zinc Plated	1 SS400 Zinc Plated	Nil Not Applicable
3 Isolation Ring	2 Nylon 66	1 Nylon 66	Nil Not Applicable
4 Packing (Seal)	2 NBR	1 NBR	Nil Not Applicable
5 Reducer	1 Carbon Steel Zinc Plated	1 ASIM IP304	1 ASIM IP304
6 Nipple	1 Carbon Steel Zinc Plated	1 Carbon Steel Zinc Plated	1 ASIM IP304
7 Bracket A	1 Mild Steel Zinc Plated	1 Mild Steel Zinc Plated	1 Mild Steel Zinc Plated
8 Bracket B	2 Mild Steel Zinc Plated	2 Mild Steel Zinc Plated	2 Mild Steel Zinc Plated
9 Square Bar	1 Mild Steel Zinc Plated	1 Mild Steel Zinc Plated	1 Mild Steel Zinc Plated

Benefits

- Save Time
- No Measuring
- No Oil
- No Mess - Clean
- Save Labour
- No Cutting
- No Grease
- Ideal for Retrofit Applications
- Save Money
- No Threading
- No Welding
- Easy to move for layout changes

Rapidrop Global

