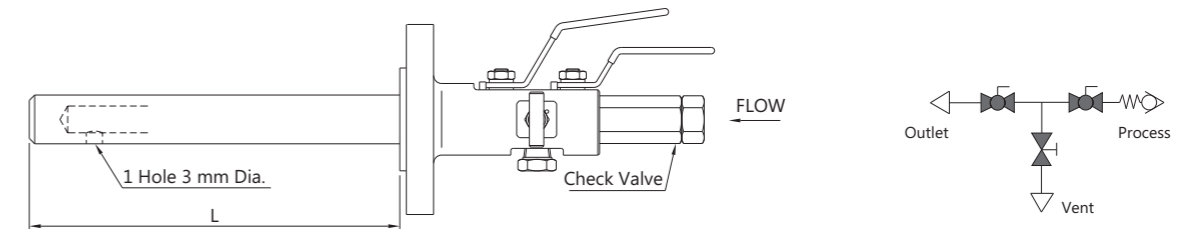


Rometec srl - www.rometec.it - Rometec srl - www.rometec.it - Rometec srl - www.rometec.it

Function - injection

Injection of chemicals and other media into the process stream can be accomplished with this design. A check valve is installed to prevent process fluid from reaching the inlet injection position. There is a 0.125" (3 mm) hole in the injection nozzle orifice. The length of the injection nozzle orifice can be manufactured to meet customer requirements and needs to be specified. The injection orifice can also be rotated. Injection valves can be provided in most of the styles and options offered for the DBB ranges.



Injection Quill

The injection quill length (L) is manufactured to meet customer requirements. The injection nozzle is a 3 mm diameter hole (standard).

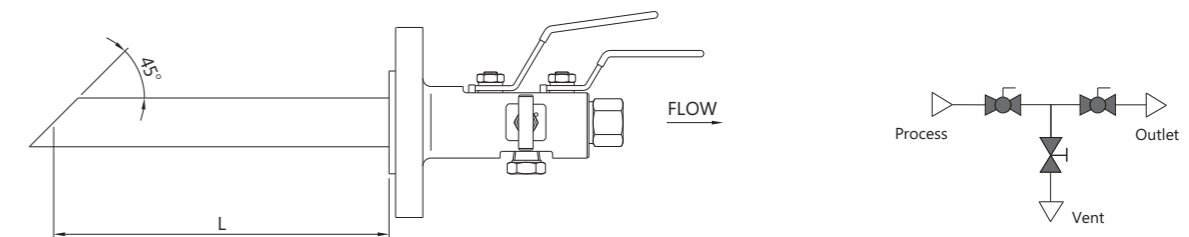
Integral Check Valve

This poppet type spring return valve has a FKM soft seal (standard).

Sampling Double Block & Bleed Valves

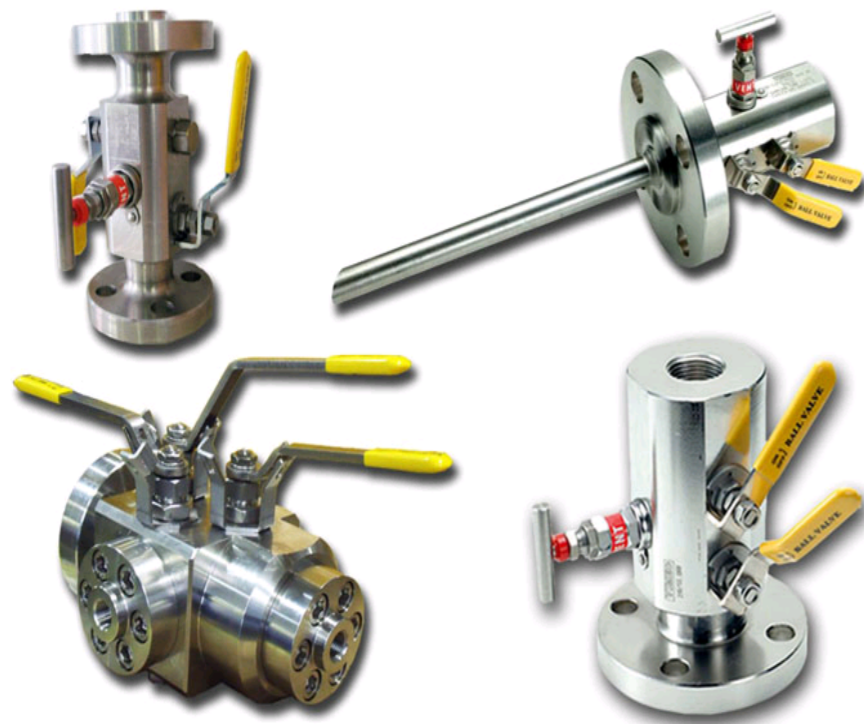
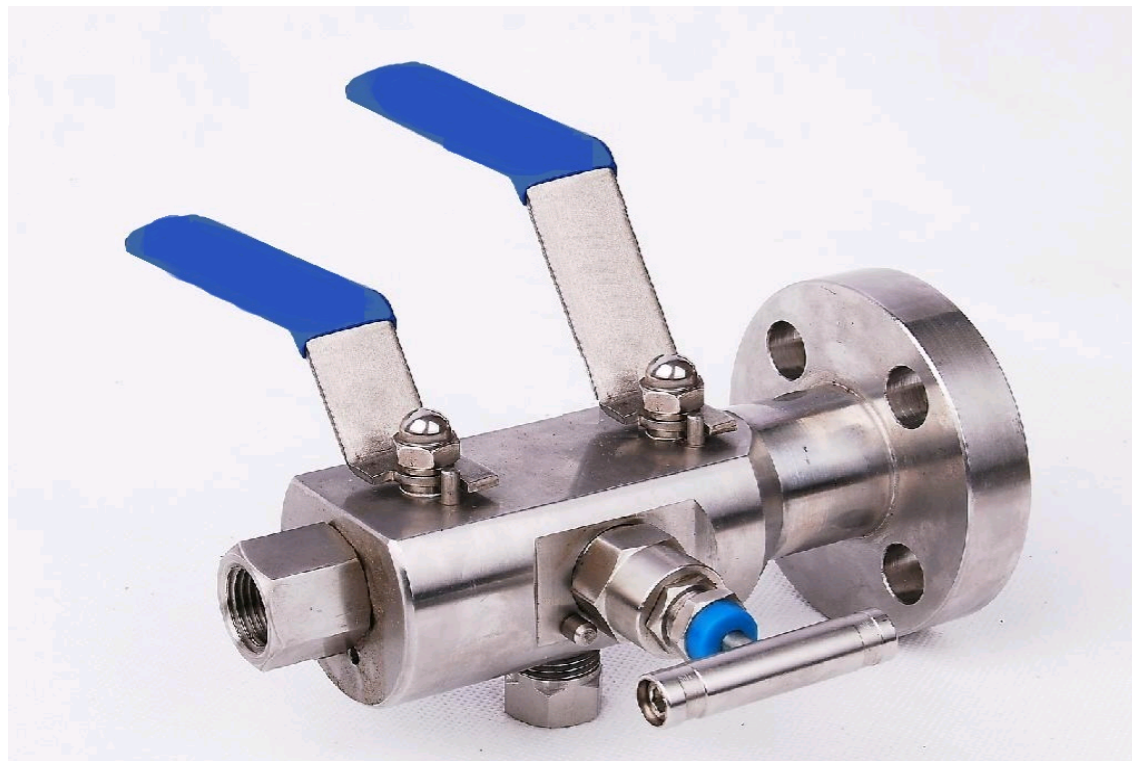
Function - sampling

This design is developed to remove a sample directly from process stream at full system pressure. The customised sampling probe extends from the pipe flange connection for correct sample removal. Sampling valves can be provided without a probe and valves can be provided in most of the styles and options offered for the DBB ranges.

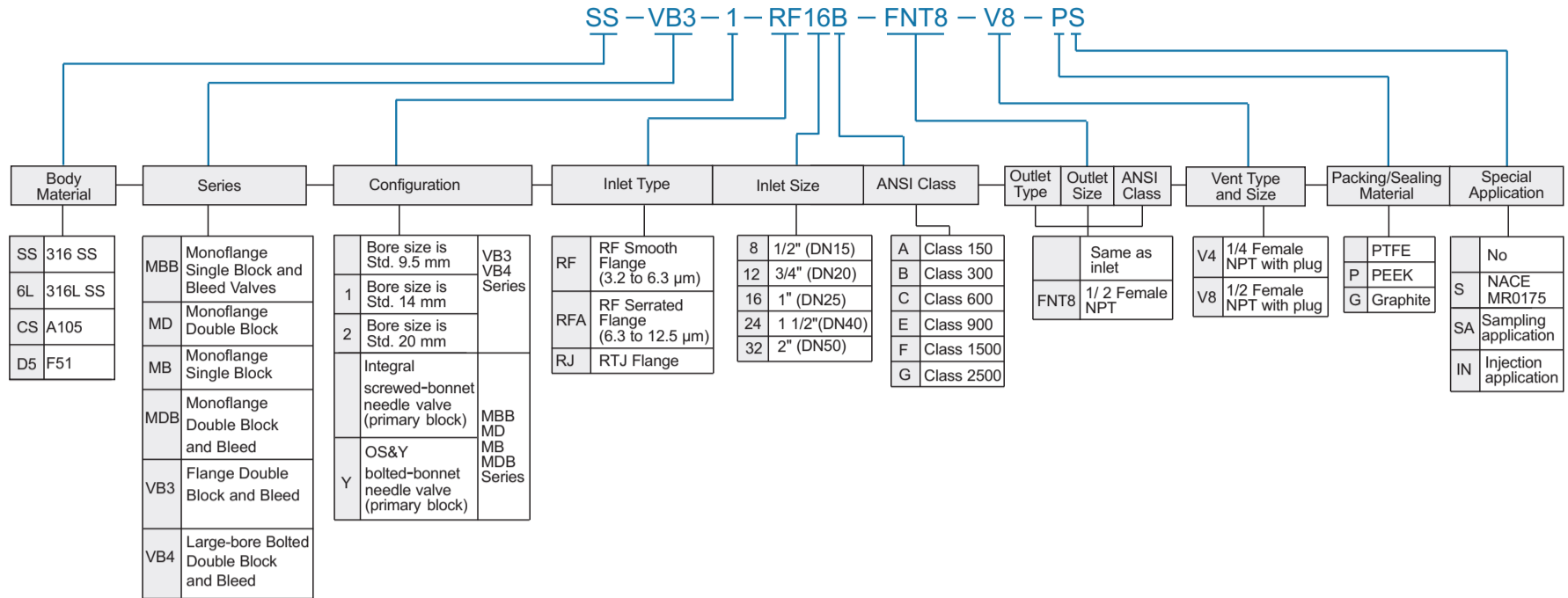


Sampling Probe

The sampling probe length (L) is manufactured to meet customer requirements.



Rometec srl - www.rometec.it - Rometec srl - www.rometec.it - Rometec srl - www.rometec.it



1. Options of ball valve bore:
 3/8" (9.5 mm) bore (all process connection sizes);
 1/2" (14 mm) bore (1, 1 1/2, or 2 process connections; select size DN25, DN40 or DN50)
 3/4" (20 mm) bore (1 1/2 or 2 process connections; select size DN40 or DN50)

