

Plug Valves

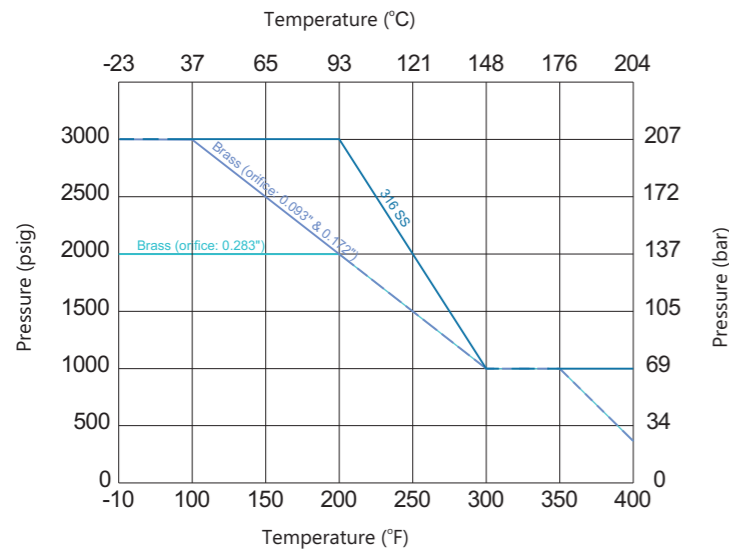
PV Series



Features

- ☆ Maximum working pressure: 3000 psig (207 bar)
- ☆ Working temperature: -10°F to 400°F (-23°C to 204°C)
- ☆ Size from 1/8" to 1/2" and 6 to 12 mm
- ☆ Easy to maintain and clean
- ☆ Low operating torque
- ☆ Replaceable plug assembly
- ☆ Options for handle color
- ☆ Handle as indicator of flow direction
- ☆ Positive handle shutof
- ☆ Leak-tight performance testing for every valve with nitrogen at the maximum working pressure

Pressure vs. Temperature



1. Differential pressure is limited to 150 psig (10.3 bar) maximum if reverse flow occurs.
2. Reverse flow throttling may damage O-ring.

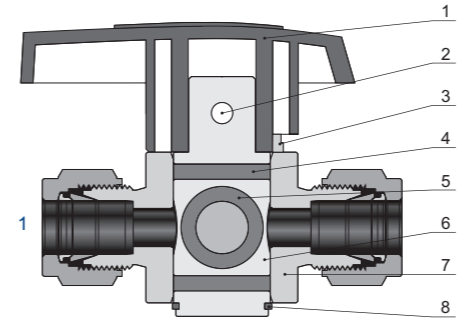
Downstream Vents

Plug and valve body allow pressure to be released to atmosphere when closed. The maximum working pressure for this operation is 150 psig (10.3 bar).



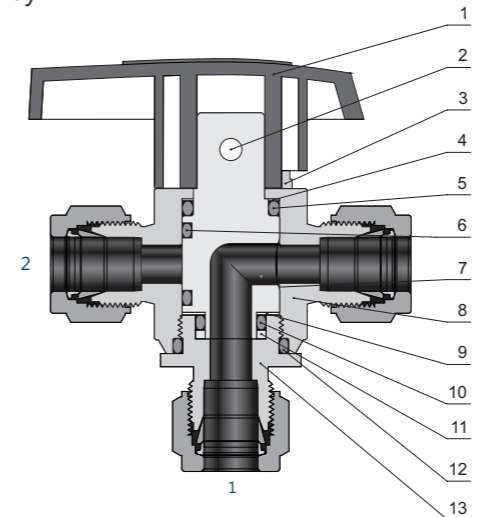
Standard Materials of Construction

2-way



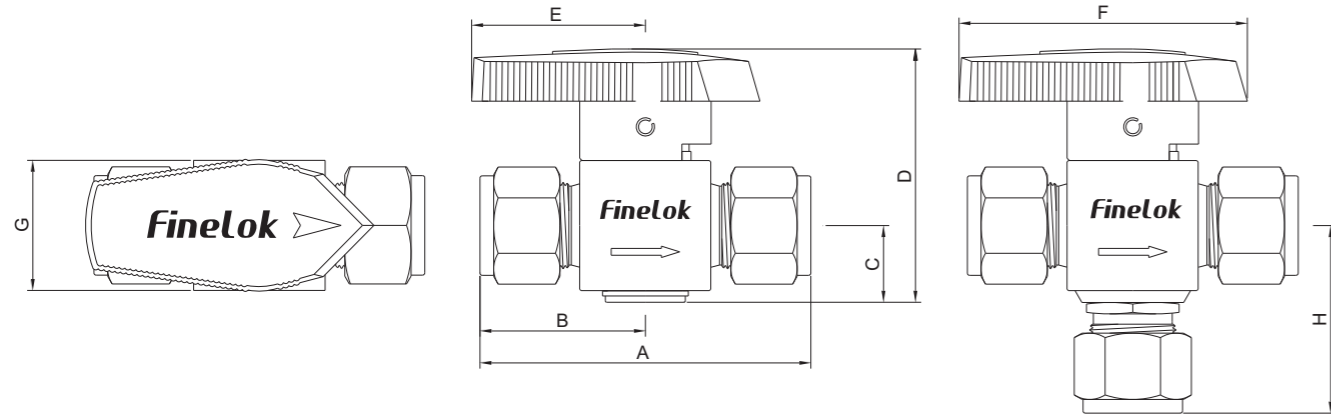
Item	Component	Valve Body Material	
		316 SS	Brass
		Material Grade/ASTM Specification	
1	Handle	Nylon or Aluminium	
2	Handle Pin	Stainless steel	
3	Body Pin	Stainless steel	
4	O-ring	Fluorocarbon FKM or Neoprene or Ethylene Propylene or Buna N or Kalrez	
5	O-ring	Fluorocarbon FKM or Neoprene or Ethylene Propylene or Buna N or Kalrez	
6	Plug	PTFE-coated 316 SS/A479	PTFE-coated brass/B453
7	Body	316 SS/A479	Brass/B453
8	Retaining Ring	Stainless steel	
Lubricant		Silicone-based	

3-way



Item	Component	Valve Body Material	
		316 SS	Brass
		Material Grade/ASTM Specifications	
1	Handle	Nylon or Aluminium	
2	Handle Pin	Stainless steel	
3	Body Pin	Stainless steel	
4	Bearing	PEEK	
5	O-Ring	Fluorocarbon FKM or Neoprene or Ethylene Propylene or Buna N or Kalrez	
6	O-Ring	Fluorocarbon FKM or Neoprene or Ethylene Propylene or Buna N or Kalrez	
7	Plug	PTFE-coated 316 SS/A479	PTFE-coated brass/B453
8	Body	316 SS/A479	Brass/B453
9	Bearing	PEEK	
10	O-Ring	Fluorocarbon FKM or Neoprene or Ethylene Propylene or Buna N or Kalrez	
11	Back-up Ring	PTFE/D1710	
12	O-Ring	Fluorocarbon FKM or Neoprene or Ethylene Propylene or Buna N or Kalrez	
13	Fitting	316 SS/A479	Brass/B453
Lubricant		Silicone-based	

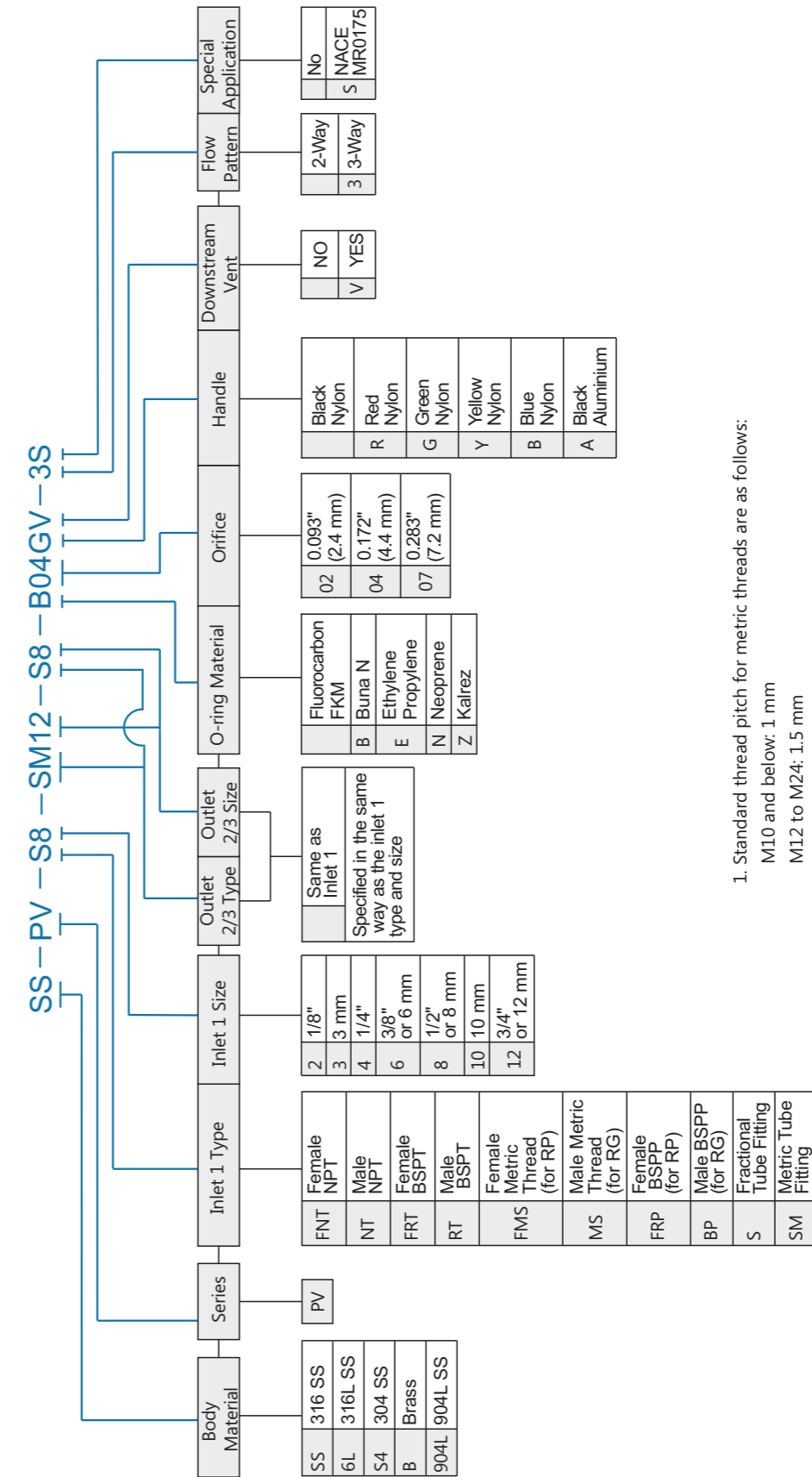
Dimensions



Basic Ordering Number		Connection Type and Size		Orifice in. (mm)	Cv	Dimension, in. (mm)							
2-way	3-way	Inlet 1	Outlet 2/3			A	B	C	D	E	F	G	H
-PV-S2-02	-PV-S2-02-3	1/8" FINELOK	1/8" FINELOK	0.093 (2.4)	0.10	1.99 (50.5)	0.98 (24.9)		1.54 (39.1)	1.14 (29.0)	1.89 (48.0)	0.75 (19.0)	1.22 (31.0)
-PV-S4-04	-PV-S4-04-3	1/4" FINELOK	1/4" FINELOK	0.172 (4.4)	1.6	2.17 (55.1)	1.08 (27.4)	0.46 (11.7)	1.54 (39.1)	1.14 (29.0)	1.89 (48.0)	0.75 (19.0)	1.31 (33.4)
-PV-S6-04	-PV-S6-04-3	3/8" FINELOK	3/8" FINELOK	0.283 (7.2)	1.1	2.29 (58.2)	1.14 (29.0)						1.38 (35.0)
-PV-S6-07	-PV-S6-07-3	3/8" FINELOK	3/8" FINELOK	0.283 (7.2)	6.4	2.66 (67.6)	1.33 (33.8)	0.66 (16.8)	2.14 (54.4)	1.50 (38.1)	2.47 (62.7)	1.12 (28.5)	1.65 (41.8)
-PV-S8-07	-PV-S8-07-3	1/2" FINELOK	1/2" FINELOK	0.44	4.4	2.88 (73.2)	1.44 (36.6)						1.68 (42.6)
-PV-SM3-02	-PV-SM3-02-3	3 mm FINELOK	3 mm FINELOK	0.093 (2.4)	0.10	1.99 (50.5)	0.98 (24.9)	0.46 (11.7)	1.54 (39.1)	1.14 (29.0)	1.89 (48.0)	0.75 (19.0)	1.22 (31.0)
-PV-SM6-04	-PV-SM6-04-3	6 mm FINELOK	6 mm FINELOK	0.172 (4.4)	1.6	2.17 (55.1)	1.08 (27.4)						1.31 (33.4)
-PV-SM10-07	-PV-SM10-07-3	10 mm FINELOK	10 mm FINELOK	0.283 (7.2)	6.4	2.68 (68.1)	1.34 (34.0)	0.66 (16.8)	2.14 (54.4)	1.50 (38.1)	2.47 (62.7)	1.12 (28.5)	1.65 (42.0)
-PV-SM12-07	-PV-SM12-07-3	12 mm FINELOK	12 mm FINELOK	0.283 (7.2)	4.8	2.96 (75.2)	1.44 (36.6)						1.76 (44.6)
-PV-FNT2-04	-PV-FNT2-04-3	1/8 Female NPT	1/8 Female NPT	0.172 (4.4)	1.2	1.78 (45.2)	0.89 (22.6)	0.46 (11.7)	2.57 (65.2)	1.38 (35.0)	2.52 (64.0)	1.12 (28.4)	0.89 (22.6)
-PV-FNT4-04	-PV-FNT4-04-3	1/4 Female NPT	1/4 Female NPT	0.283 (7.2)	0.9	2.10 (53.4)	1.05 (26.7)						1.48 (37.5)
-PV-FNT4-07	-PV-FNT4-07-3	1/4 Female NPT	1/4 Female NPT	0.283 (7.2)	4.3	2.38 (60.5)	1.19 (30.2)	0.66 (16.8)	2.14 (54.4)	1.50 (38.1)	2.47 (62.7)	1.12 (28.5)	1.19 (30.2)
-PV-FNT8-07	-PV-FNT8-07-3	1/2 Female NPT	1/2 Female NPT	0.283 (7.2)	2.7	2.88 (73.2)	1.44 (36.6)						1.44 (36.6)
-PV-NT2-04	-PV-NT2-04-3	1/8 Male NPT	1/8 Male NPT	0.172 (4.4)	1.0	1.53 (38.9)	0.76 (19.3)	0.46 (11.7)	1.54 (39.1)	1.14 (29.0)	1.89 (48.0)	0.75 (19.0)	1.01 (25.7)
-PV-NT4-04	-PV-NT4-04-3	1/4 Male NPT	1/4 Male NPT	0.283 (7.2)	1.0	1.90 (48.3)	0.95 (24.1)						1.19 (30.2)
-PV-NT8-07	-PV-NT8-07-3	1/2 Male NPT	1/2 Male NPT	0.283 (7.2)	2.4	2.64 (67.1)	1.32 (33.5)	0.66 (16.8)	2.14 (54.4)	1.50 (38.1)	2.47 (62.7)	1.12 (28.5)	1.65 (42.0)
-PV-FRT2-04	-PV-FRT2-04-3	1/8 Female BSPT	1/8 Female BSPT	0.172 (4.4)	1.2	1.78 (45.2)	0.89 (22.6)	0.46 (11.7)	1.54 (39.1)	1.14 (29.0)	1.89 (48.0)	0.75 (19.0)	0.89 (22.6)
-PV-FRT4-04	-PV-FRT4-04-3	1/4 Female BSPT	1/4 Female BSPT	0.283 (7.2)	0.9	2.09 (53.1)	1.11 (28.2)						1.05 (26.7)
-PV-FRT4-07	-PV-FRT4-07-3	1/4 Female BSPT	1/4 Female BSPT	0.283 (7.2)	4.3	2.38 (60.5)	1.19 (30.2)	0.66 (16.8)	2.14 (54.4)	1.50 (38.1)	2.47 (62.7)	1.12 (28.5)	1.19 (30.2)
-PV-FRT8-07	-PV-FRT8-07-3	1/2 Female BSPT	1/2 Female BSPT	0.283 (7.2)	2.7	2.88 (73.2)	1.57 (39.9)						1.44 (36.6)

1. FINELOK means FINELOK double ferrule tube fittings.
2. Sizes and types listed are standard. Other sizes and types are available upon request, refer to the ordering information.
3. Dimensions are shown with FINELOK nuts finger-tightened. All dimensions are for reference only and are subject to change. For dimensions not shown above, please contact the authorized representative or FINELOK.

Ordering Information



1. Standard thread pitch for metric threads are as follows:
 M10 and below: 1 mm
 M12 to M24: 1.5 mm
 M27 and above: 2 mm
 Standard thread pitch should be ignored in the ordering number, others should be specified.
2. Cleaning and Packaging:
 FC-01: Standard cleaning and packaging for general industrial procedures.
 FC-02: Special cleaning and packaging for wetted system components to ensure compliance with product cleanliness requirement as stated in ASTM G93 Level C.