



# ALSONIC-BAEG

**Ultrasonic Building Automation Energy Meter**  
**Model Alsonic-BAEG**

## GENERAL

**Alsonic Building Automation - Energy** meters employ transit-time ultrasonic flow measuring technology combined with two integrated PT1000 RTD temperature sensors for calculating both total and instantaneous energy consumption. These in-line style flow sensors are available for line sizes ranging from ½" to 12". The Alsonic BA Energy meter may be used to provide highly accurate thermal energy measurement in chilled water, hot water and condenser water systems. Our microprocessor based, field programmable electronics provide local indication of energy, flow and temperature data via an alphanumeric LCD display. An isolated solid state dry contact is provided for indication of pre-programmed totals or alarm conditions. Optional analog outputs and network communications are also available.



## FEATURES

- ❑ Measures energy consumption rate and total
- ❑ Local or remote wall-mount display types available
- ❑ Proven ultrasonic technology for flow measurement; PT 1000 RTDs for temperature measurement
- ❑ Convenient spool piece mounting for sizes up to 300mm, optional clamp on type for larger sizes
- ❑ Wide range flow rates; 0.025 to 1000 m<sup>3</sup>/h
- ❑ PT1000 -DIN/IEC751B temperature sensors
- ❑ Data storage - includes time & date, flow, energy flow with totalization
- ❑ Response time of less than 1 second
- ❑ NIST traceable calibration certificate
- ❑ Built-in diagnostics



## SPECIFICATIONS

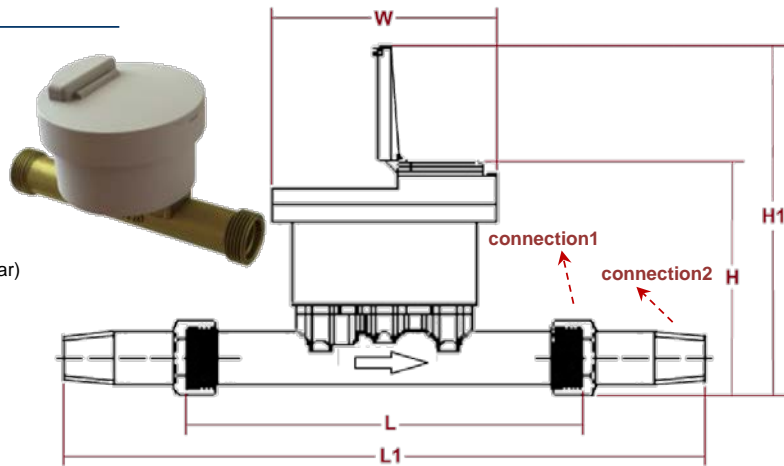
- |  |  |
|--|--|
| ● Flow measurement : Transit time ultrasonic method  | ● Display : LCD (9 digits + prompting character)<br>energy rate, total consumption,<br>flow rate, total flow<br>temperature,<br>time, date |
| ● Transducer type : Spool piece  | ● Power Supply : 3.6V/2.4Ah Li battery (for 5 years of operation)  |
| ● Temperature measure : Pt1000 -DIN/IEC751B  | ● Data Storage : EEPROM, 256 byte<br>total flow, total energy flow, SN,<br>product date, monthly flow report                               |
| ● Pipe Size : ½ ~ 12" (15~300mm)**   | ● Signal inputs : Two RTD  |
| ● Flow Body Material : Brass or cast iron  | ● Response Time : < 1 second   |
| ● Enclosure Material : ABS or Polycarbonate  | ● Enclosure : NEMA 4X (IP65), NEMA 4 (IP54)  |
| ● Resolution -Flow : 0.001m <sup>3</sup> /h  | ● Sensor : IP67  |
| ● Resolution -Temp. : ±0.01 °C (0.02°F)  |  |
| ● Liquid temperature :   |  |
| ● Accuracy : ±2% of range  |  |
| ● Repeatability : ±1% of reading   |  |
| ● Digital communication : Std - M bus<br>Opt: wireless, Modbus, 4-20mA<br>GPRS (contact the factory) |  |
| ● Ambient Temperature : -25~+55 °C   |  |

\*\*Note: for larger line sizes please see Alsonic-EG catalog

➤ Dimensions

● Brass body

- Line size: ½~1½" (DN15~DN40)
- Accuracy: 2% FS
- Power supply: 3.6V<sub>DC</sub> battery
- Connection: threaded
- Temperature: up to 80 °C
- Pressure: up to 10 bar (opt 16 bar)
- Output: std - none  
opt - pulse, 4-20mA
- Communication: std - M bus  
opt - RS485, Modbus, wireless,GPRS
- Option: with valve

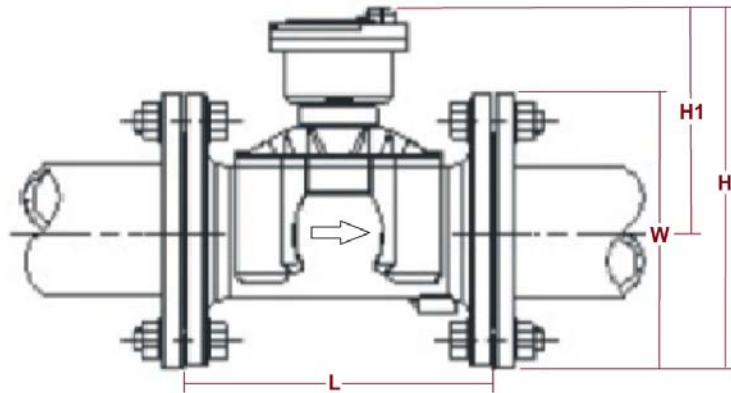


Line size	Flow range (m <sup>3</sup> /hr)	L (mm)	L1 (mm)	H (mm)	H1 (mm)	W (mm)	Connection1	Connection2
½" (DN15)	0.025~2.5	165	261	102	167	110	G ¾"	R ½"
¾" (DN20)	0.04~4	195	301	107	172	110	G 1"	R ¾"
1" (DN25)	0.063~6.3	225/260	247/382	112	177	110	G 1 ¼"	R 1"
1¼" (DN32)	0.1~10	260	386	121	186	110	G 1 ½"	R 1 ¼"
1½" (DN40)	0.16~16	300	431	132	197	110	G 2"	R 1 ½"

● Cast iron body



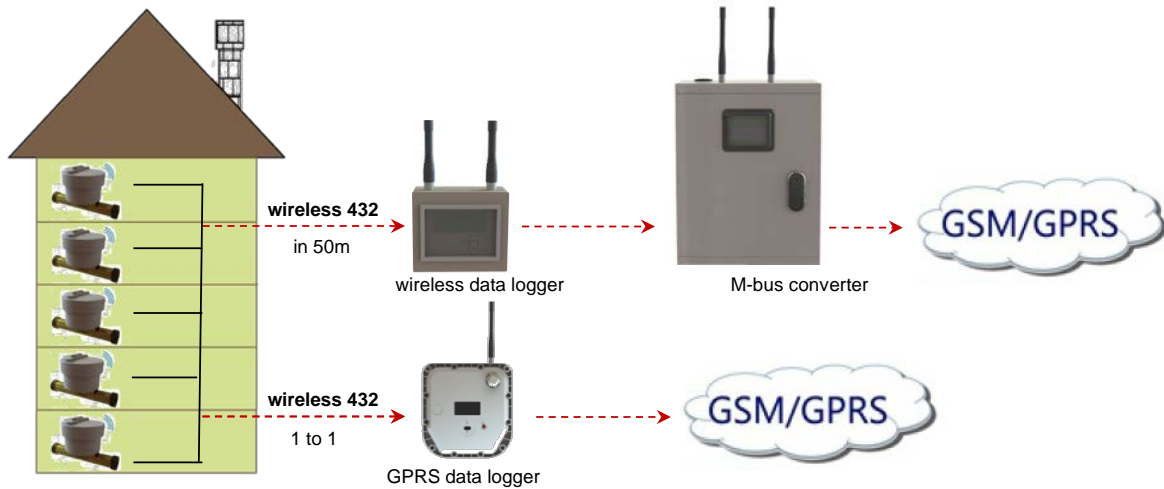
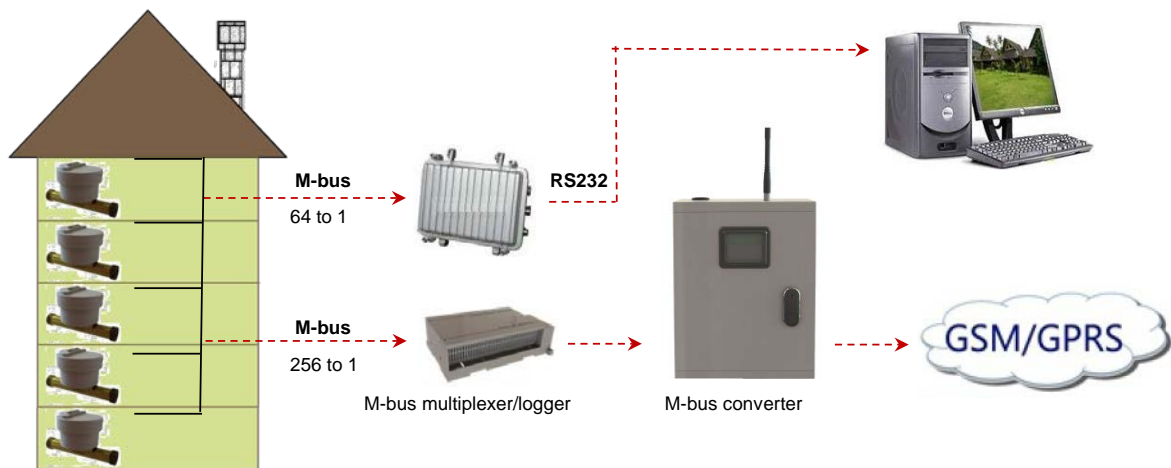
- Line size: 2"~12" (DN50~DN300)
- Accuracy: 2% FS
- Power supply: 3.6V<sub>DC</sub> battery
- Connection: flange
- Temperature: up to 80 deg C
- Pressure: up to 10 bar (opt 16 bar)



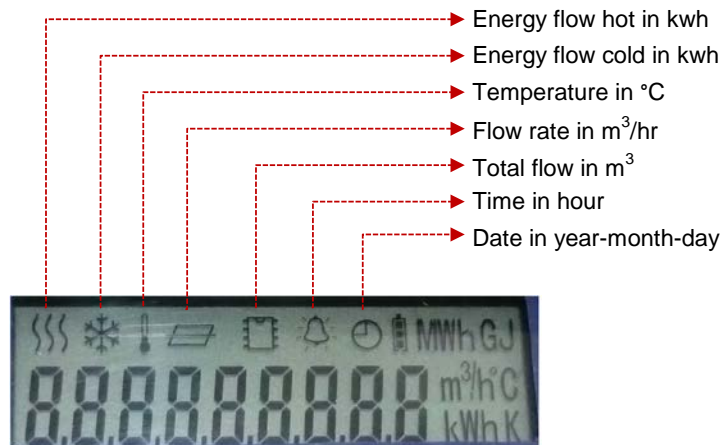
- Output: std - none  
opt - pulse, 4-20mA
- Communication: std - M bus  
opt - RS485, Modbus, wireless,GPRS
- Option: with valve

Line size	Flow range (m <sup>3</sup> /hr)	L (mm)	H (mm)	H1 (mm)	W (mm)	Connection	Measure path
2" (DN50)	0.16~25	200	235	150	165	ANSI 150#	2 Channels
2½" (DN65)	0.25~40	200	248	158	185	ANSI 150#	4 Channels
3" (DN80)	0.4~63	225	264	175	200	ANSI 150#	4 Channels
4" (DN100)	0.63~100	250	287	181	220	ANSI 150#	4 Channels
5" (DN125)	1~160	250	320	199	250	ANSI 150#	4 Channels
6" (DN150)	1.6~250	300	355	217	285	ANSI 150#	4 Channels
8" (DN200)	2.5~400	350	410	246	340	ANSI 150#	4 Channels
10" (DN250)	4~630	450	452	272	405	ANSI 150#	4 Channels
12" (DN300)	6.3~1000	500	550	320	460	ANSI 150#	4 Channels

➤ OUTPUT & COMMUNICATION



➤ Display



\*\* Please note SAE English units available upon request

**\*\* Please contact your local Smartmeasurement™ application engineer**

**You also need to provide the following information:**

Type of Fluid	Please provide water temperature and pressure
Line Size	Nominal pipe size and sensor connection type
Process Pressure and Temperature	We will calibrate your flowmeter as close to your operating conditions as possible
Type of Electronics	Output and communication
Flow range	Please provide the flow range

**➤ Model Selection Guide**

Alsonic-BAEG										
Example 1: Alsonic-BA EG-ST-C100-NN-NN-NC-CT										
Alsonic-BAEG-	**	**	**	**	**	**	**	**		Description
Standard type	ST									Flow Meter
Brass ½" (DN15)		S15								Transducers
Brass ¾" (DN20)		S20								
Brass 1" (DN25)		S25								
Brass 1¼" (DN32)		S32								
Brass 1½" (DN40)		S40								
Cast iron 2"-12" (DN50-DN300)		C**								
Special type		SP								
Standard temperature: +2--+50 °C			NN							Temperature
High temperature: +2--+80 °C			HT							
Standard pressure: up to 1.6Mpa				NN						Pressure
High pressure: up to 2.5Mpa				HP						
Standard - 1 m x 2 signal cables, 1m x 2 RTD cables						NC				Cable Length
(**)m x 2 signal cables, (**)m x 2 RTD cables						**				
M-Bus							MB			Output
RS485							485			
Wireless							WL			
Infrared data communication							IR			
Pulse output (total flow and total energy flow)								PT		Options
M-bus to GPRS: collector(256 to 1) + data logger								MG		
Wireless to GPRS: data collector(50 m) + data logger								WG		
M-Bus to RS232 transmitter (64 to 1)								MB		
Wireless to GPRS: data collector (1 to 1)								GP		
With pre-set control valve								VL		
Other options								OP		