



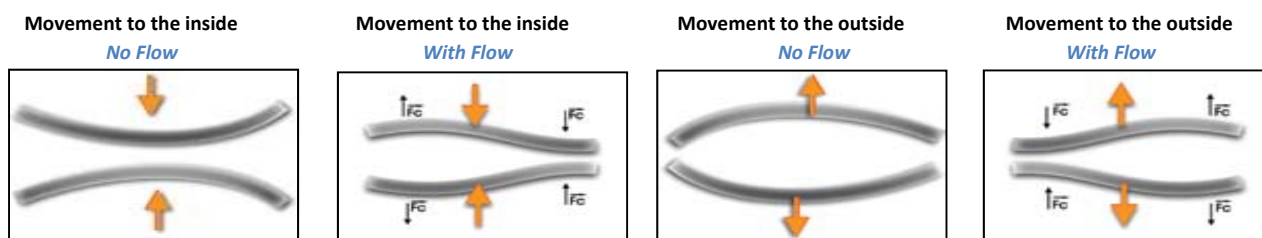
# ALCM-MB

Coriolis Mass Flowmeter  
ALCM Series

## GENERAL

SMC's ALCM-MB Micro-Bend Coriolis Mass flowmeter employs a unique tube arrangement with U-shaped measuring tubes that are formed with a significantly smaller radius versus traditional U-tube type coriolis meters. The more gradual radius of the ALCM-MB's tube geometry provides for a more compact design and significantly reduced pressure differential versus other coriolis meters.

The ALCM-MB features an easy-to-read color OLED display that can be configured to display either mass or volumetric flow rates in a variety of user-selectable engineering units as well as density, temperature, and totalized flows. This meter offers excellent value by providing a highly accurate, compact instrument that can measure flow, density, and temperature in a single package that has lower cost, lower pressure differential and a more compact design versus competitive coriolis-technology flowmeters. The unique combination of features and benefits offered by the ALCM-MB make it an ideal choice for applications that are found in a variety of industries including Food & Beverage, Petrochem, Oil & Gas, Paint, and Industrial Process Control.



## FEATURES

- Suitable for aggressive and contaminated media
- Measurement of mass flow, density, temperature and volume flow
- High rotation frequency and well-balanced measuring pipes
- Excellent purging and sterilization qualities due to a construction free of dead spots
- Operation up to + 575°F (300 °C)
- Individual 8-point-calibration including report
- EX protection (optional)

## SPECIFICATIONS

- |                          |   |                         |   |
|--------------------------|---|-------------------------|---|
| • Flow Range:            | 3,300~2,200,000lb/hr. (1500~1000000 kg/hr.)                         | • Process Temperature:  | -58~392 °F (-50~200 °C) -std                                |
| • Line Sizes:            | 1/2"~8" (15-200 mm)   | • Ambient Temperature:  | -5~312 °F (-20~55 °C)                                       |
| • Process Connections:   | Flanged (ANSI, DIN, Tri-Clamp®)                                     | • Max Working Pressure: | 360 psig (2.5MPa) std, 930 psig optional                    |
| • Tube geometry:         | U-Tube with Micro Bend  | • Measuring Tube Mat'l: | SS per DIN1.4571 (AISI 316Ti) standard                      |
| • Accuracy:              | ±0.5% of reading(std), 0.2% or 0.15% (opt)                          | • Housing Material:     | SS #304   |
| • Repeatability:         | ±0.075% of reading  | • Power Supply:         | 24 V <sub>DC</sub> , ± 20%; 86~260V <sub>AC</sub> , 50~60Hz |
| • Frequency:             | 10-2000 Hz  | • Power Consumption:    | Less than 6W  |
| • Display:               | Color Graphic OLED  | • Outputs.:             | 4-20 mA, 0-10 kHz pulse, RS485                              |
| Eng. Units (mass):       | kg, lb, ton   | • Density Meas. Range:  | 12.5-125lb/ft <sup>3</sup> (0.2~2.0 g/cc)                   |
| Eng. Units (Temp):       | °C, °F  | • Density Accuracy:     | ±0.06 b/ft <sup>3</sup> (0.001 g/cc)                        |
| Eng. Units (Vol.):       | m <sup>3</sup> , Liter, US Gallon, Imperial Gallon, Million Gallon, | • Temperature Accuracy: | up to ±1°F (°C)   |
| • Zero Stability:        | 0.1% full-scale   |                         |   |
| • Zero Drift (%FS / °C): | 0.005   |                         |   |

### SmartMeasurement

10437 Innovation Drive, Suite 315, Milwaukee, WI 53226  
TEL : +1-414-299-3896 FAX : +1-414-433-1606

### Page 1

URL : <http://www.smartmeasurement.com>  
E-mail : [sales@smartmeasurement.com](mailto:sales@smartmeasurement.com)



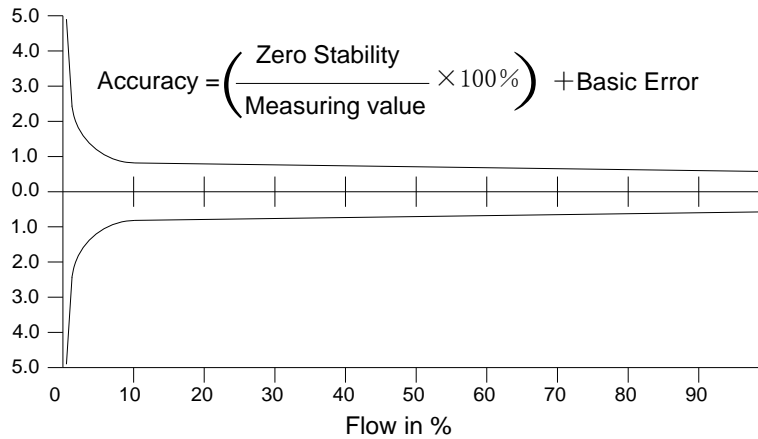
# ALCM-MB

Coriolis Mass Flowmeter  
ALCM Series

## ➤ Flow Ranges

Meter Size inches (mm)	Flow Range Lb./Hr. (Kg/Hr.) (0.2% & 0.5% accuracy)	Flow Range Lb./Hr. (Kg/Hr.) Accuracy 0.15%	Stability of Zero Point Lb./Hr. (Kg/Hr.)
½" (15)	330~4,400 (150~2,000)	440~4,400 (200~2,000)	0.26 (0.117)
1" (25)	881~13,228 (400~6,000)	1,322~13,228 (8600~6,000)	0.39 (0.1765)
1½" (40)	5,29~79,366 (2,400~36,000)	7,936~79,366 (3,600~36,000)	0.79 (0.360)
2" (50)	7,716~110,231(3,500~50,000)	11,023~110,231(5,000~50,000)	1.2 (0.544)
3" (80)A	11,023~176,370(5,000~80,000)	17,637~176,370(8,000~80,000)	3.0(1.361)
3" (80)B	17,637~265,000 (8,000~120,000)	26,500~265,000(12,000~120,000)	3.0(1.361)
4" (100)A	22,046~330,693(10,000~150,000)	33,069~330,693(15,000~150,000)	4.8 (2.177)
4" (100)B	33,069~440,924(15,000~200,000)	44,092~440,924(20,000~200,000)	4.8 (2.177)
6" (150)	77,162~1,102,311(35,000~500,000)	110,231~1,102,311(50,000~500,000)	9.74 (4.417)
8" (200)	154,234~2,204,623(70,000~1,000,000)	220,462~2,204,623(100,000~1,000,000)	15.36 (6.965)

### Accuracy:



The diagram shows typical values. Individual values may be taken from the calibration records supplied with each meter.

### Repeatability:

<b>Accuracy</b>	0.10%	0.20%	0.50%
<b>Repeatability</b>	±0.05%	±0.1%	±0.25%

Accuracy is calculated based on the water measurement under the condition of +20°C~25°C and 0.1MPa~0.2MPa.

### Density Measuring

Density Range	12.5-125lb/ft <sup>3</sup> (0.2~2.0 g/cc)
Basic Error	±0.06 b/ft <sup>3</sup> (0.001 g/cc) Affected by the transducer
Repeatability	±0.06 b/ft <sup>3</sup> ( 0.001g/cm <sup>3</sup> )

### SmartMeasurement

10437 Innovation Drive, Suite 315, Milwaukee, WI 53226  
TEL : +1-414-299-3896 FAX : +1-414-433-1606

### Page 2

URL : <http://www.smartmeasurement.com>  
E-mail : [sales@smartmeasurement.com](mailto:sales@smartmeasurement.com)

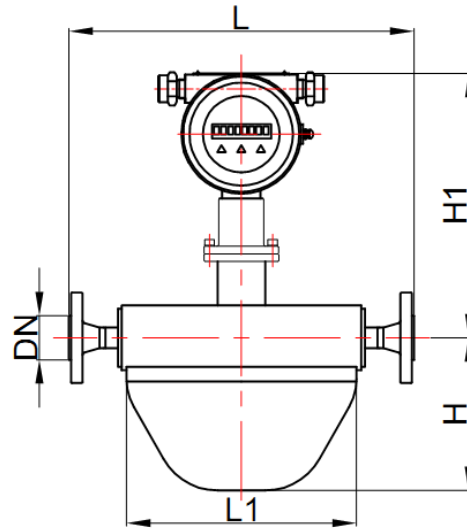


# ALCM-MB

Coriolis Mass Flowmeter  
ALCM Series



## Dimensions



*-All dimensions in units of inches (mm)-*

Nominal Line Size	L	L1	H	H1
½" (15)	14.17 (360)	9.45 (240)	7.09 (180)	12.20 (310)
1" (25)	19.69 (500)	14.17 (360)	9.84 (250)	12.20 (310)
1½" (40)	25.75 (654)	19.69 (500)	13.39 (340)	12.20 (310)
2" (50)	26.00 (660)	19.69 (500)	13.39 (340)	12.20 (310)
3" (80A)	35.43 (900)	27.56 (700)	16.54 (420)	13.39 (340)
3" (80B)	44.49 (1000)	33.86 (800)	26.00 (630)	13.39 (340)
4" (100A)	44.50 (1130)	33.86 (860)	26.00 (660)	14.17 (360)
4" (100B)	47.25 (1200)	35.43 (900)	32.28 (820)	14.17 (360)
6" (150)	53.15 (1350)	43.34 (1100)	33.46 (850)	15.35 (390)
8" (200)	66.93 (1700)	51.18 (1300)	38.58 (980)	15.35 (390)



# ALCM-MB

Coriolis Mass Flowmeter  
ALCM Series

Please contact your SmartMeasurement application engineer

You also need to provide the following information:

Type of fluid
Full-scale flow rate
Line Size
Process Pressure & Temperature
Pressure Drop
Type of Electronics
Power Requirements

Please provide the name of your fluid, including operating density and viscosity

Please provide the max and min flow rate, normal flow rate also

Please provide the line size and connection

We will calibrate flow meter as close to your operating conditions as possible

Please indicate the maximum allowable pressure drop

Please specify output and installation type (wall mount, panel mount, etc.)

Please specify AC or DC power supply

## ➤ Model Selection Guide

ALCM-MB										
Example 1: ALCM-MB-50F-5-1-1-NX-DC										
ALCM-MB-	**	**	**	**	**	**	**	**	Description	
½" (15 mm) 330~4,400 Lb./hr. (150 - 2,000 kg/hr)	15								Nominal Line Size	
1" (25 mm) 881~13,228 Lb./hr (400 - 6,000 kg/hr)	25									
1½" (40 mm) 5,29~79,366 Lb./hr (2,400 - 36,000kg/hr)	40									
2" (50 mm) 7,716~110,231Lb./hr (3,500 - 50,000 kg/hr)	50									
3"(80 mm) 11,023~176,370 Lb./hr (5,000 - 80,000 kg/hr)	80A									
3"(80 mm) 17,637~265,000 Lb./hr (8,000 - 120,000 kg/hr)	80B									
4" (100 mm) 22,046~330,693 Lb./hr (10,000 - 150,000 kg/hr)	100A									
4" (100 mm) 33,069~440,924 (15,000~200,000 kg/hr)	100B									
6" (150 mm) 77,162~1,102,311 Lb./hr (.35,000~500,000 kg/hr)	150									
8" (200 mm) 154,234~2,204,623 Lb./hr (70,000~1,000,000 kg/hr)	200									
150# ANSI Flange	F								Process Connections	
300# ANSI Flange	F3									
Sanitary Flange	S									
Other	O									
0.15%		1								Accuracy
0.2%		2								
0.5%		5								
232 psig (1.6 MPa) - Standard		1								Pressure Rating
362 psig (2.5 MPa)		2								
580 psig (4.0 MPa)		3								
928 psig (6.4 MPa)		4								
176 °F (80 °C) max. - Standard		1								Temperature Rating
300 °F (150 °C) max.		2								
482 °F (250 °C) max.		3								
Non-EX							NX		Approval	
EX proof							EX			
85-260 V <sub>AC</sub> , 50/60Hz								AC	Power	
24 V <sub>DC</sub>								DC		