

Linear Actuator Stepper Motor

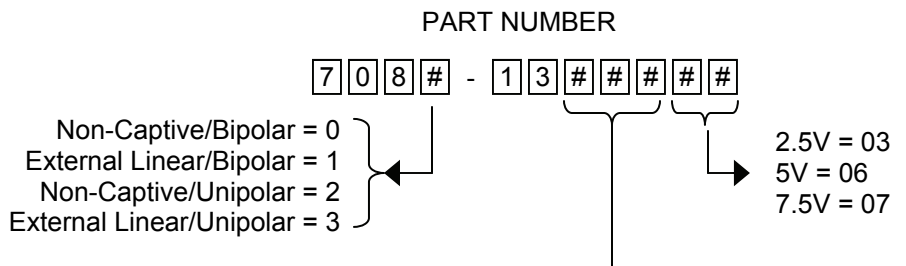
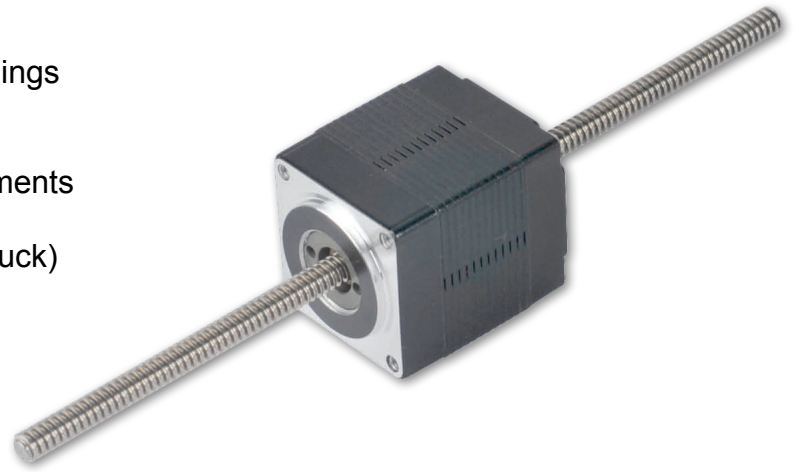
PLM Size 8 Stepper Motor Actuator

Features:

- Eliminates additional shaft couplings
- Reduced tolerance stack-up
- Improves performance
- Customizable to unique requirements
- External Linear (rotating shaft)
- Non-captive (internal rotating chuck)

avanzamenti per giro
disponibili:

LINEAR TRAVEL (0.138" DIAMETER)	
INCHES	MILLIMETERS
0.000240 (024)	0.006096
0.000395 (039)	0.010033
0.000790 (079)	0.020066
0.001575 (157)	0.040005



TECHNOLOGY	Non-Captive or External Linear		
WIRING	BIPOLAR		
OPERATING VOLTAGE	2.5 VDC	5 VDC	7.5 VDC
CURRENT/PHASE	5.47A	0.24A	0.16A
INDUCTANCE/PHASE	2.86mH	5.0mH	11.7mH
POWER CONSUMPTION	2.45W		
ROTOR INERTIA	2.5gcm ²		
TEMPERATURE RISE	135°F (75°C) Rise		
WEIGHT	1.5oz. (43g)		
INSULATION RESISTANCE	20MΩ		

"The Company in Motion"™

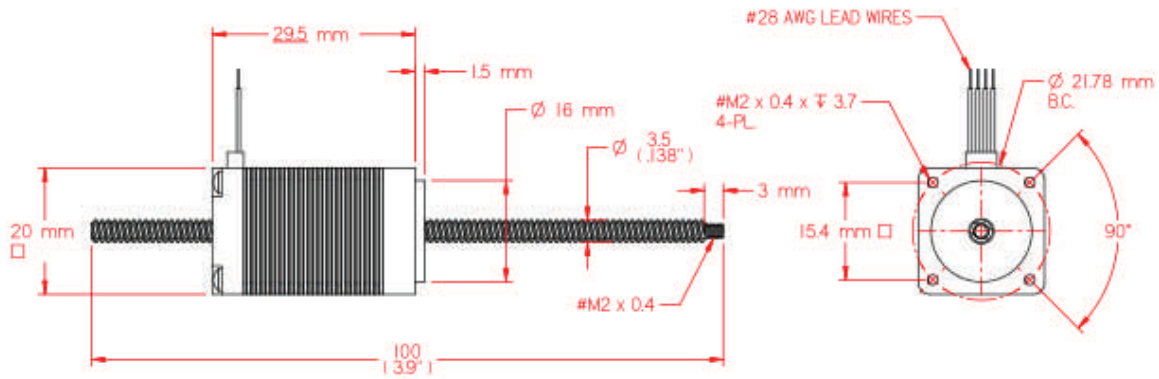
Pro-Dex, Inc. - OMS
 15201 NW Greenbrier Pkwy, B-1
 Beaverton, Oregon 97006

Phone: 503-629-8081
 Fax: 503-629-0688
 E-mail: SalesOR@Pro-Dex.com
 www.Pro-DexOMS.com

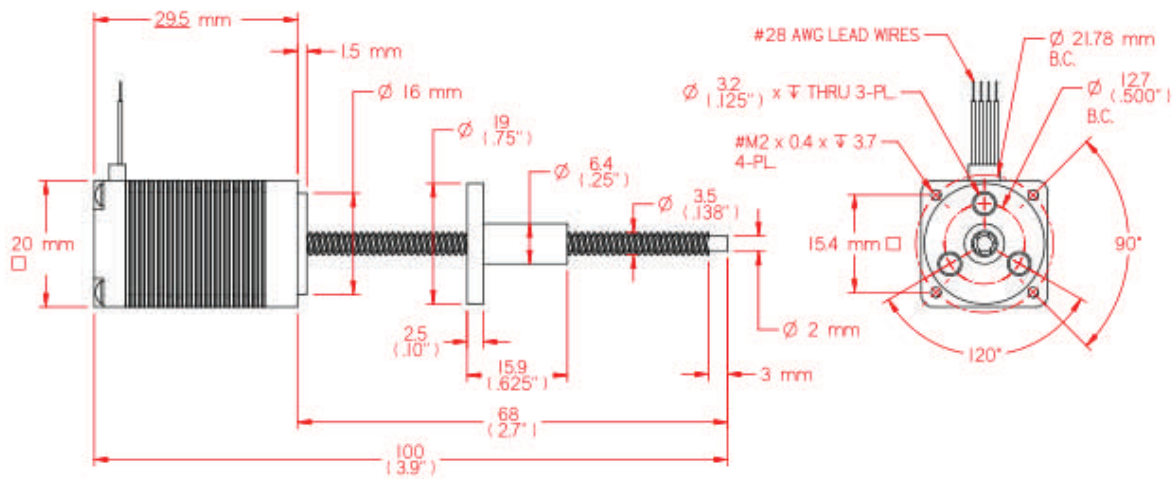


SIZE 8 NON-CAPTIVE - LINEAR ACTUATOR

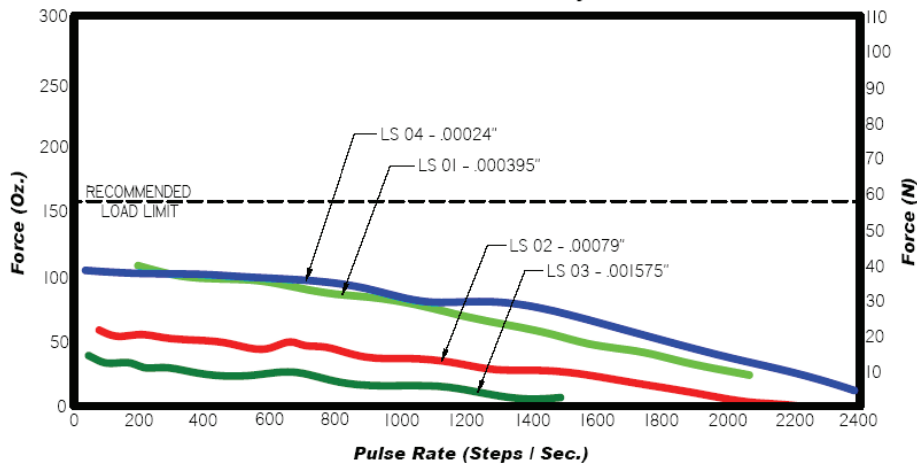
PLM8



SIZE 8 EXTERNAL - LINEAR ACTUATOR



Force vs. Linear Velocity



Pro-Dex, Inc. - OMS
 15201 NW Greenbrier Pkwy, B-1
 Beaverton, OR 97006

Phone: 1(800) 707-8111, 503-629-8081
 Fax: 503-629-0688
 www.Pro-DexOMS.com



3701-708000 rev.A