

Linear Actuator Stepper Motor

PLM Size 34 Stepper Motor Actuator

Features:

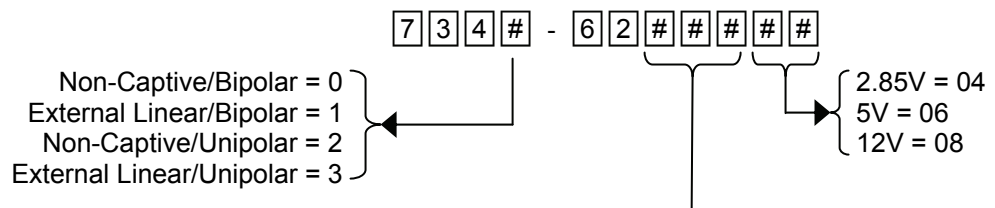
- Eliminates additional shaft couplings
- Reduced tolerance stack-up
- Improves performance
- Customizable to unique requirements
- External Linear (rotating shaft)
- Non-captive (internal rotating chuck)



LINEAR TRAVEL (0.625" DIAMETER)	
INCHES	MILLIMETERS
0.000500 (050)	0.012700
0.000625 (062)	0.015875
0.001000 (100)	0.024500
0.001250 (125)	0.031750
0.005000 (500)	0.127000

avanzamenti per giro disponibili:

PART NUMBER KEY



TECHNOLOGY	Non-Captive or External Linear				
	BIPOLAR			UNIPOLAR	
WIRING					
OPERATING VOLTAGE	2.85 VDC	5 VDC	12 VDC	5 VDC	12 VDC
CURRENT/PHASE	5.47A	3.12A	1.3A	3.12A	1.3A
INDUCTANCE/PHASE	2.86mH	8.8mH	51mH	4.4mH	25.5mH
POWER CONSUMPTION	31.2W				
ROTOR INERTIA	1760gcm ²				
TEMPERATURE RISE	135°F (75°C) Rise				
WEIGHT	5.1lbs. (2.3kg)				
INSULATION RESISTANCE	20MΩ				

"The Company in Motion"™

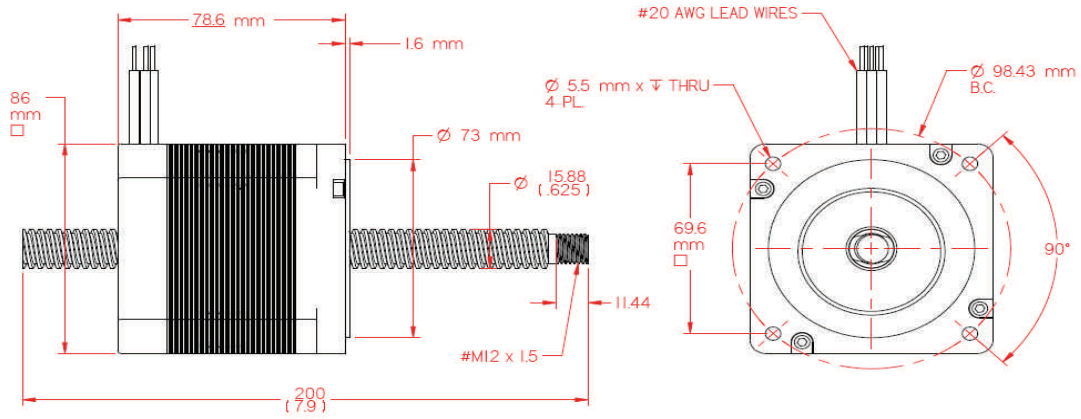
Pro-Dex, Inc. - OMS
 15201 NW Greenbrier Pkwy, B-1
 Beaverton, Oregon 97006

Phone: 503-629-8081
 Fax: 503-629-0688
 E-mail: SalesOR@Pro-Dex.com
 www.Pro-DexOMS.com

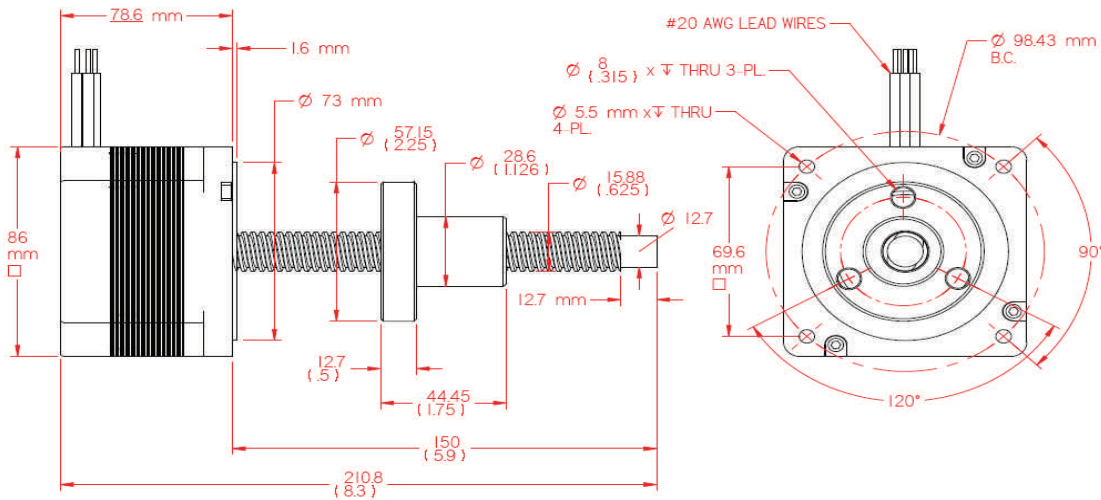


SIZE 34 NON-CAPTIVE - LINEAR ACTUATOR

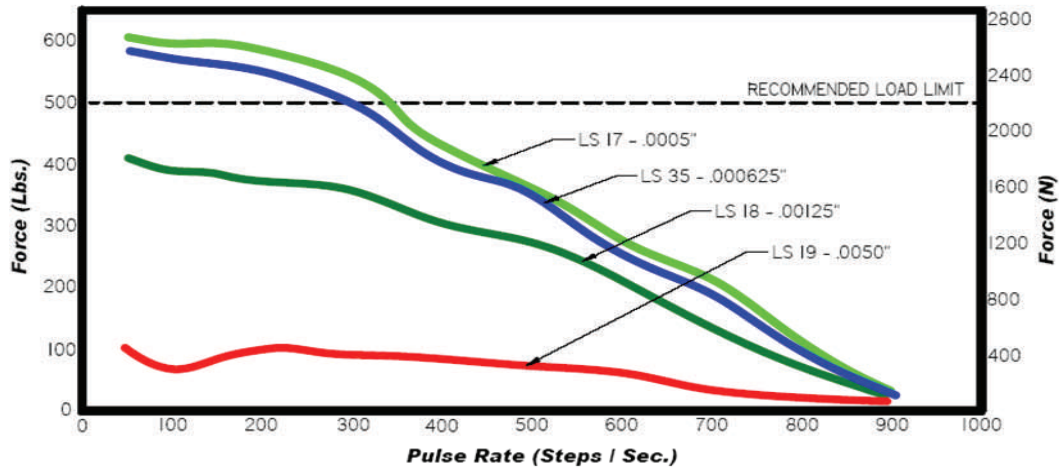
PLM34



SIZE 34 EXTERNAL - LINEAR ACTUATOR



Force vs. Linear Velocity



Pro-Dex, Inc. - OMS
 15201 NW Greenbrier Pkwy, B-1
 Beaverton, OR 97006

Phone: 1(800) 707-8111, 503-629-8081
 Fax: 503-629-0688
 www.Pro-DexOMS.com



3701-7340000 rev.A