

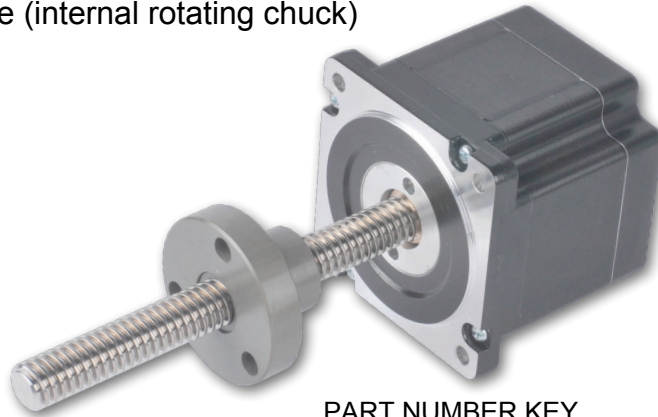
# Linear Actuator Stepper Motor

## PLM Size 23 Stepper Motor Actuator

avanzamenti per giro disponibili:

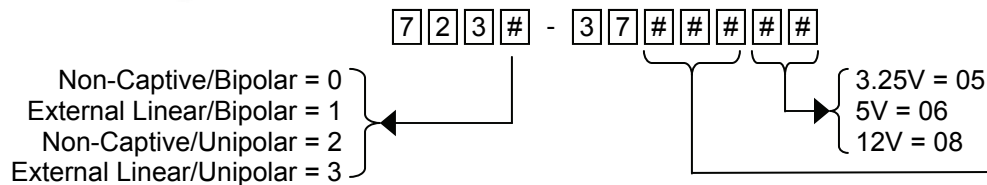
### Features:

- Eliminates additional shaft couplings
- Reduced tolerance stack-up
- Improves performance
- Customizable to unique requirements
- External Linear (rotating shaft)
- Non-captive (internal rotating chuck)



| LINEAR TRAVEL (0.375" DIAMETER) |             |
|---------------------------------|-------------|
| INCHES                          | MILLIMETERS |
| 0.000125 (012)                  | 0.003175    |
| 0.000250 (025)                  | 0.006350    |
| 0.000315 (031)                  | 0.008001    |
| 0.000415 (041)                  | 0.010541    |
| 0.000500 (050)                  | 0.012700    |
| 0.000625 (062)                  | 0.015875    |
| 0.000835 (083)                  | 0.021209    |
| 0.001000 (100)                  | 0.025400    |
| 0.001875 (187)                  | 0.047629    |
| 0.001920 (192)                  | 0.048768    |
| 0.002500 (250)                  | 0.063500    |
| 0.005000 (500)                  | 0.127000    |

### PART NUMBER KEY



| TECHNOLOGY            | Non-Captive or External Linear |        |        |          |        |
|-----------------------|--------------------------------|--------|--------|----------|--------|
| WIRING                | BIPOLAR                        |        |        | UNIPOLAR |        |
| OPERATING VOLTAGE     | 3.25 VDC                       | 5 VDC  | 12 VDC | 5 VDC    | 12 VDC |
| CURRENT/PHASE         | 2A                             | 1.3A   | 0.54A  | 1.3A     | 0.54A  |
| INDUCTANCE/PHASE      | 3.5mH                          | 10.5mH | 58mH   | 5.3mH    | 23.6mH |
| POWER CONSUMPTION     | 13W                            |        |        |          |        |
| ROTOR INERTIA         | 166gcm <sup>2</sup>            |        |        |          |        |
| TEMPERATURE RISE      | 135°F (75°C) Rise              |        |        |          |        |
| WEIGHT                | 18oz (511g)                    |        |        |          |        |
| INSULATION RESISTANCE | 20MΩ                           |        |        |          |        |

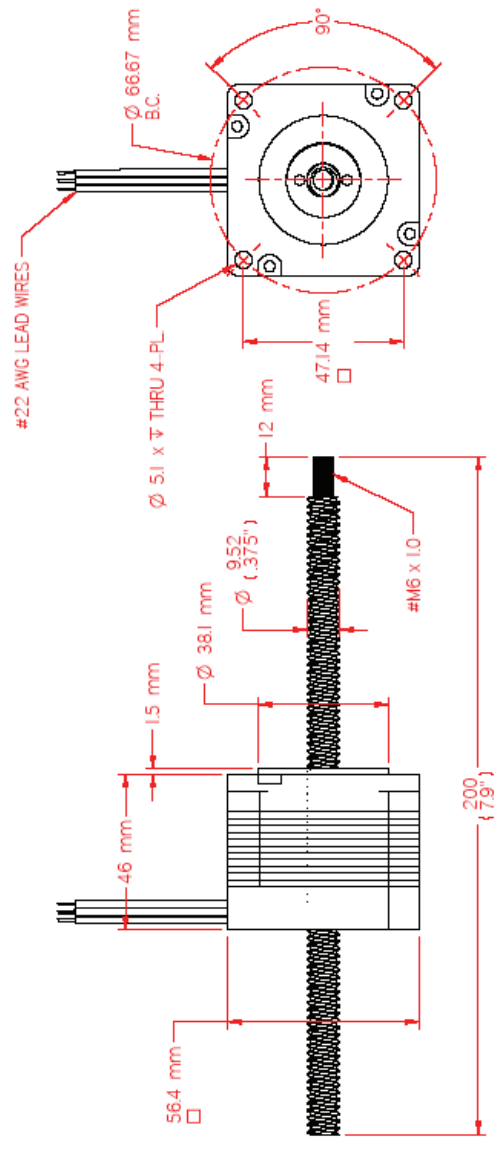
*"The Company in Motion"™*

**Pro-Dex, Inc. - OMS**  
 15201 NW Greenbrier Pkwy, B-1  
 Beaverton, Oregon 97006

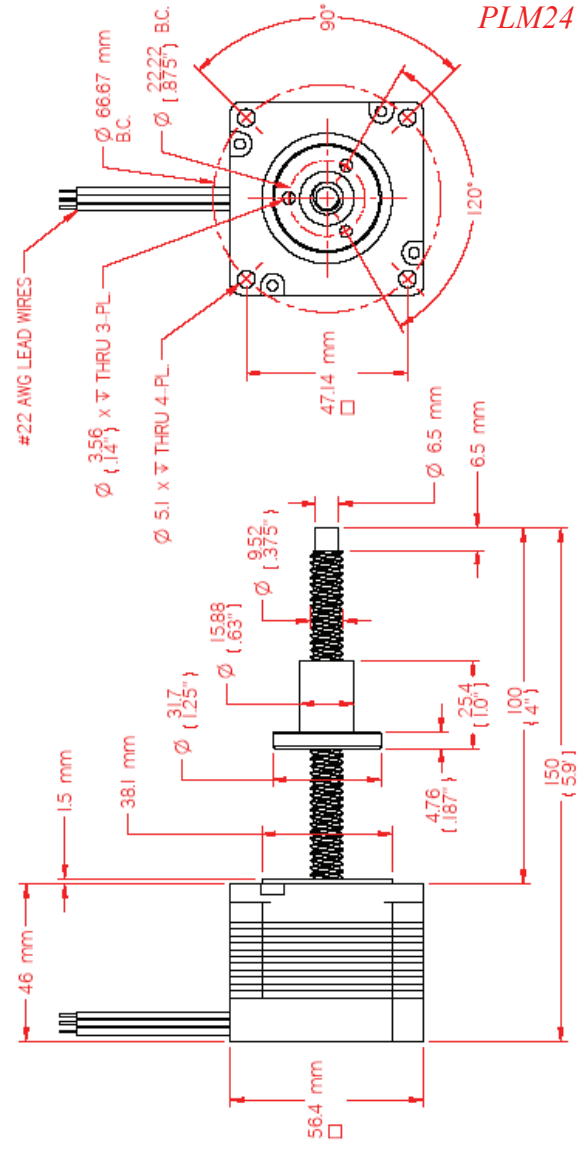
Phone: 503-629-8081  
 Fax: 503-629-0688  
 E-mail: SalesOR@Pro-Dex.com  
 www.Pro-DexOMS.com



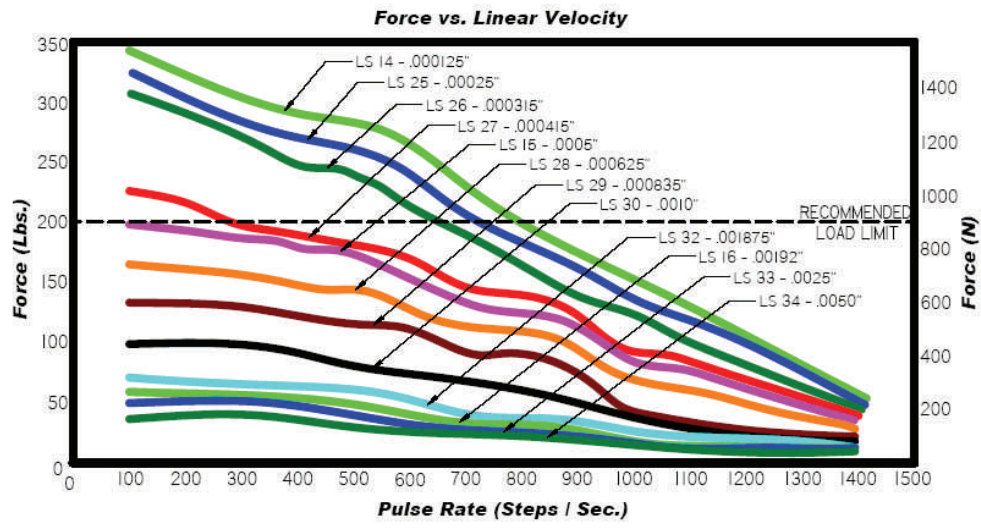
**SIZE 23 NON-CAPTIVE - LINEAR ACTUATOR**



**SIZE 23 EXTERNAL - LINEAR ACTUATOR**



PLM24



**Pro-Dex, Inc. - OMS**  
 15201 NW Greenbrier Pkwy, B-1  
 Beaverton, OR 97006

Phone: 1(800) 707-8111, 503-629-8081  
 Fax: 503-629-0688  
 www.Pro-DexOMS.com



3701-xxxxxxx rev.#