

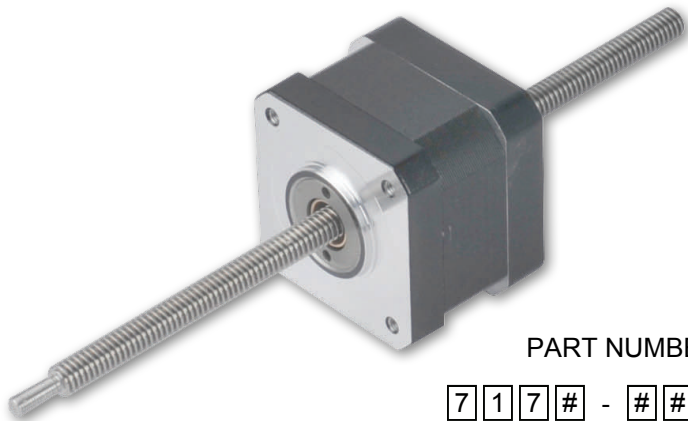
Linear Actuator Stepper Motor

PLM Size 17 Stepper Motor Actuator

avanzamenti per giro disponibili:

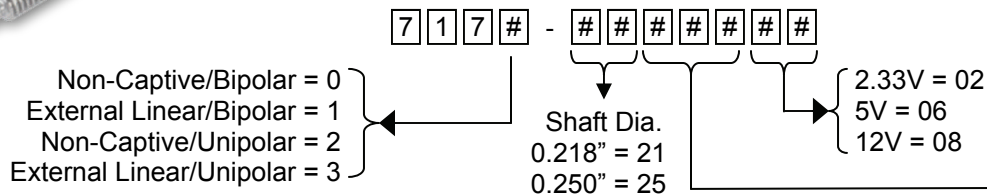
Features:

- Eliminates additional shaft couplings
- Reduced tolerance stack-up
- Improves performance
- Customizable to unique requirements
- External Linear (rotating shaft)
- Non-captive (internal rotating chuck)



| LINEAR TRAVEL (0.218" DIAMETER) | |
|---------------------------------|-------------|
| INCHES | MILLIMETERS |
| 0.000480 | 0.012192 |
| 0.000240 | 0.006096 |
| LINEAR TRAVEL (0.250" DIAMETER) | |
| 0.000240 (024) | 0.006096 |
| 0.000250 (025) | 0.006350 |
| 0.000315 (031) | 0.008001 |
| 0.000480 (048) | 0.012192 |
| 0.000500 (050) | 0.012700 |
| 0.000960 (096) | 0.024384 |
| 0.001250 (125) | 0.031750 |
| 0.001650 (165) | 0.041900 |
| 0.001920 (192) | 0.048768 |

PART NUMBER KEY



| TECHNOLOGY | Non-Captive or External Linear | | | | |
|-----------------------|--------------------------------|-------|--------|----------|--------|
| | BIPOLAR | | | UNIPOLAR | |
| WIRING | | | | | |
| OPERATING VOLTAGE | 2.33 VDC | 5 VDC | 12 VDC | 5 VDC | 12 VDC |
| CURRENT/PHASE | 1.5A | 0.7A | 0.29A | 0.7A | 0.29A |
| INDUCTANCE/PHASE | 1.9mH | 8.7mH | 54mH | 4.4mH | 27mH |
| POWER CONSUMPTION | 7W | | | | |
| ROTOR INERTIA | 37gcm ² | | | | |
| TEMPERATURE RISE | 135°F (75°C) Rise | | | | |
| WEIGHT | 8.5oz (241g) | | | | |
| INSULATION RESISTANCE | 20MΩ | | | | |

"The Company in Motion"™

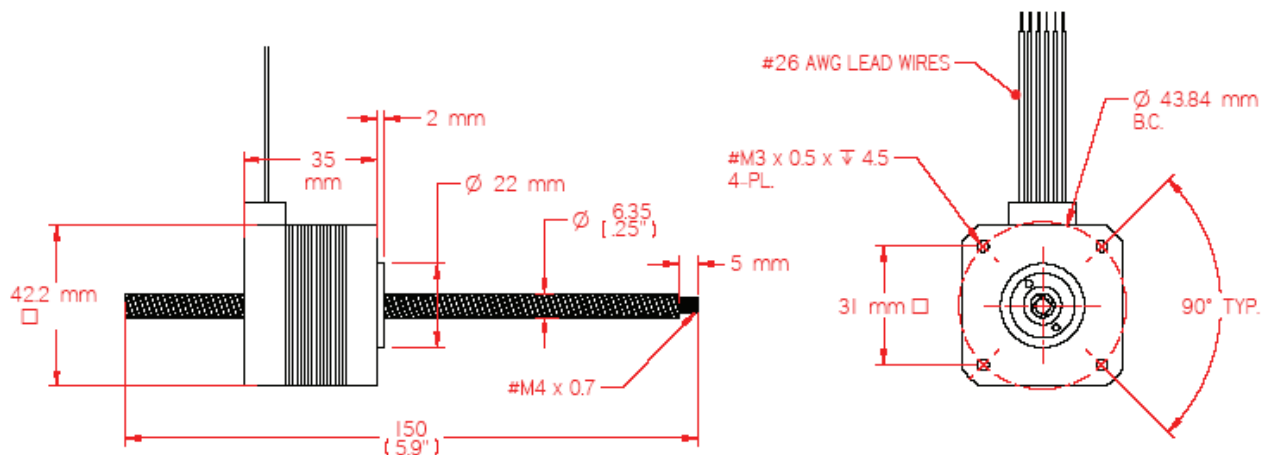
Pro-Dex, Inc. - OMS
 15201 NW Greenbrier Pkwy, B-1
 Beaverton, Oregon 97006

Phone: 503-629-8081
 Fax: 503-629-0688
 E-mail: SalesOR@Pro-Dex.com
 www.Pro-DexOMS.com

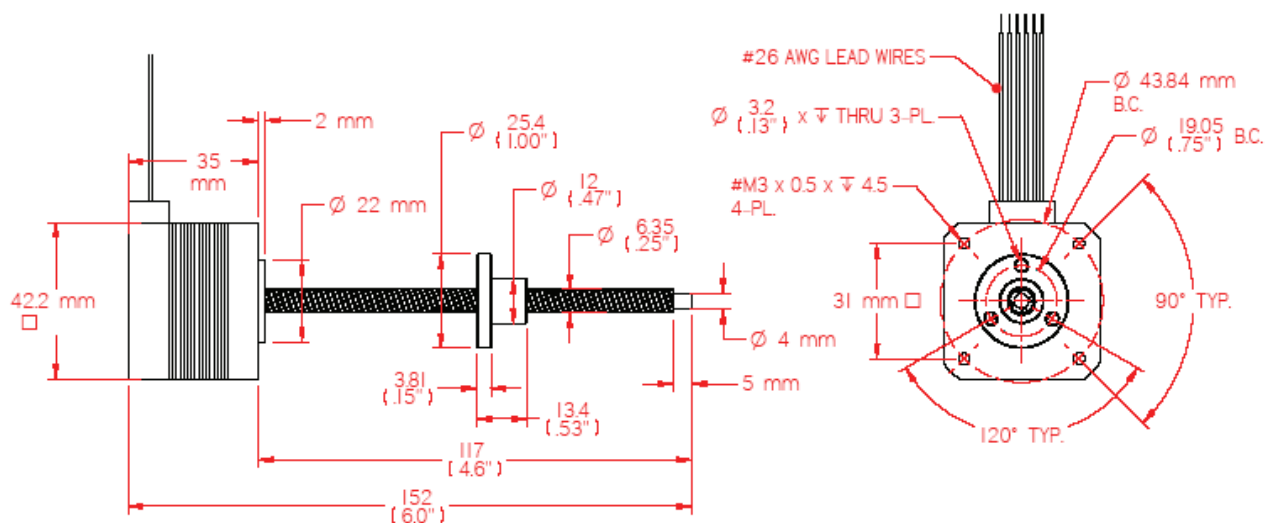


SIZE 17 NON-CAPTIVE - LINEAR ACTUATOR

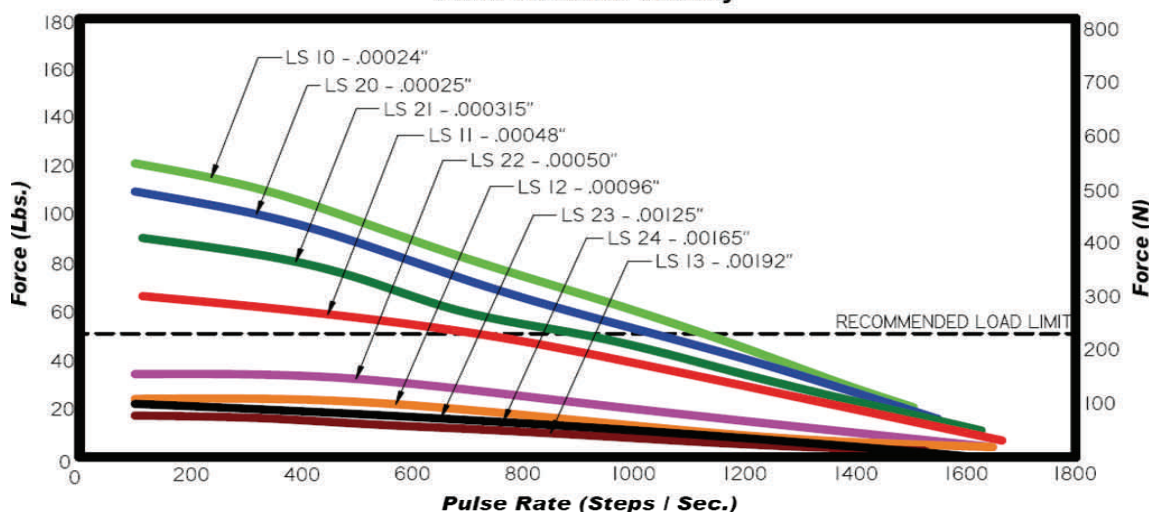
PLM17



SIZE 17 EXTERNAL - LINEAR ACTUATOR



Force vs. Linear Velocity



Pro-Dex, Inc. - OMS
 15201 NW Greenbrier Pkwy, B-1
 Beaverton, OR 97006

Phone: 1(800) 707-8111, 503-629-8081
 Fax: 503-629-0688
 www.Pro-DexOMS.com



3701-7170000 rev.A