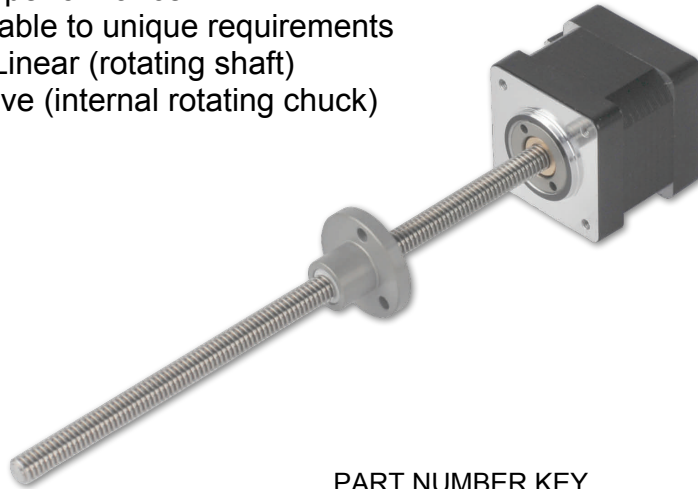


Linear Actuator Stepper Motor

PLM Size 14 Stepper Motor Actuator

Features:

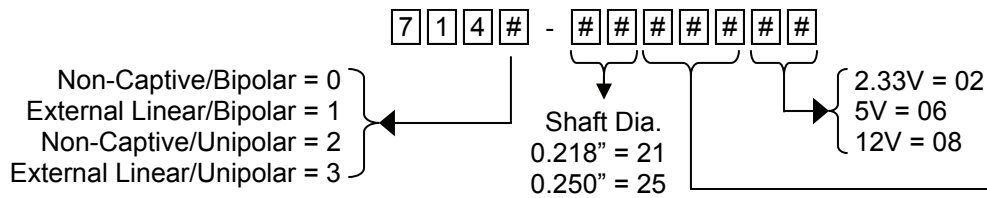
- Eliminates additional shaft couplings
- Reduced tolerance stack-up
- Improves performance
- Customizable to unique requirements
- External Linear (rotating shaft)
- Non-captive (internal rotating chuck)



avanzamenti per giro disponibili:

LINEAR TRAVEL (0.218" DIAMETER)	
INCHES	MILLIMETERS
0.000480 (048)	0.012192
0.000240 (024)	0.006096
LINEAR TRAVEL (0.250" DIAMETER)	
0.000240 (024)	0.006096
0.000250 (025)	0.006350
0.000315 (031)	0.008001
0.000480 (048)	0.012192
0.000500 (050)	0.012700
0.000960 (096)	0.024384
0.001250 (125)	0.031750
0.001650 (165)	0.041900
0.001920 (192)	0.048768

PART NUMBER KEY



TECHNOLOGY	Non-Captive or External Linear				
WIRING	BIPOLAR			UNIPOLAR	
OPERATING VOLTAGE	2.33 VDC	5 VDC	12 VDC	5 VDC	12 VDC
CURRENT/PHASE	1.25A	0.57A	0.24A	0.57A	0.24A
INDUCTANCE/PHASE	2.8mH	13mH	60mH	6.5mH	30mH
POWER CONSUMPTION	5.7W				
ROTOR INERTIA	27gcm ²				
TEMPERATURE RISE	135°F (75°C) Rise				
WEIGHT	5.7oz (162g)				
INSULATION RESISTANCE	20MΩ				

"The Company in Motion"™

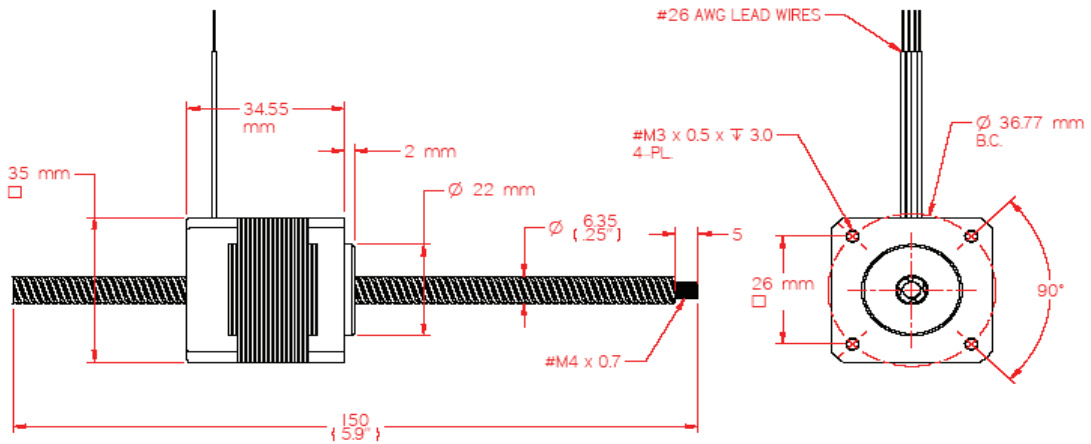
Pro-Dex, Inc. - OMS
 15201 NW Greenbrier Pkwy, B-1
 Beaverton, Oregon 97006

Phone: 503-629-8081
 Fax: 503-629-0688
 E-mail: SalesOR@Pro-Dex.com
 www.Pro-DexOMS.com

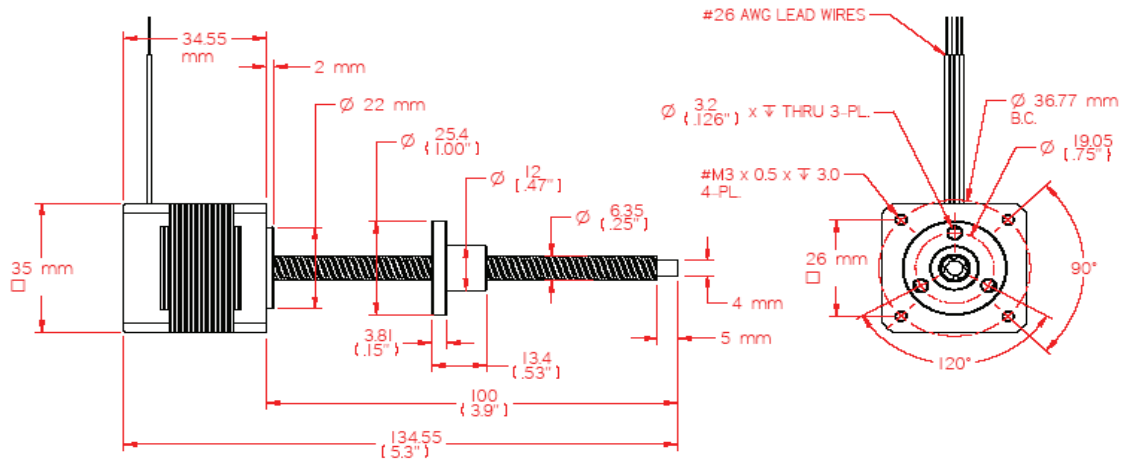


SIZE 14 NON-CAPTIVE - LINEAR ACTUATOR

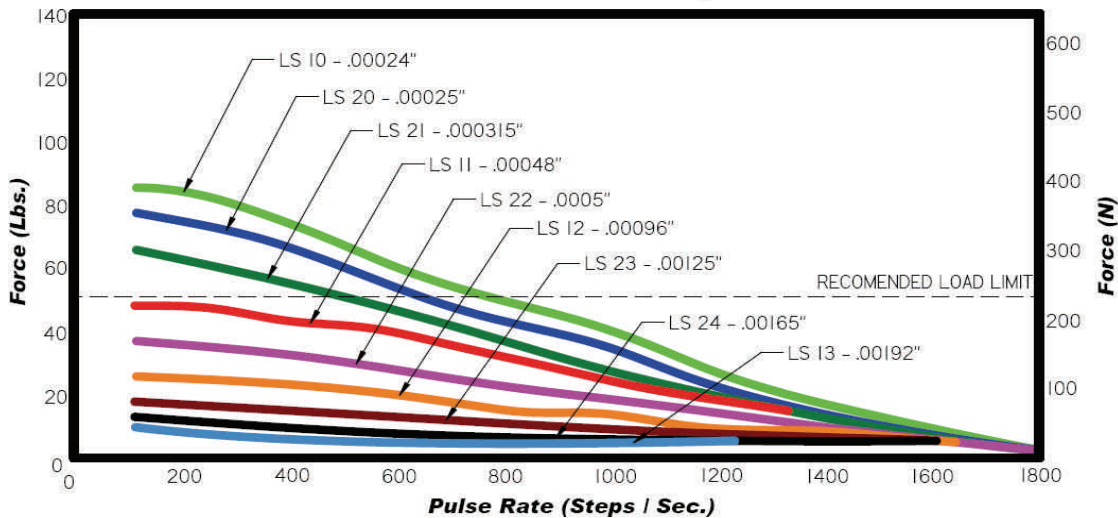
PLM14



SIZE 14 EXTERNAL - LINEAR ACTUATOR



Force vs. Linear Velocity



Pro-Dex, Inc. - OMS
 15201 NW Greenbrier Pkwy, B-1
 Beaverton, OR 97006

Phone: 1(800) 707-8111, 503-629-8081
 Fax: 503-629-0688
 www.Pro-DexOMS.com



3701-7140000 rev.A