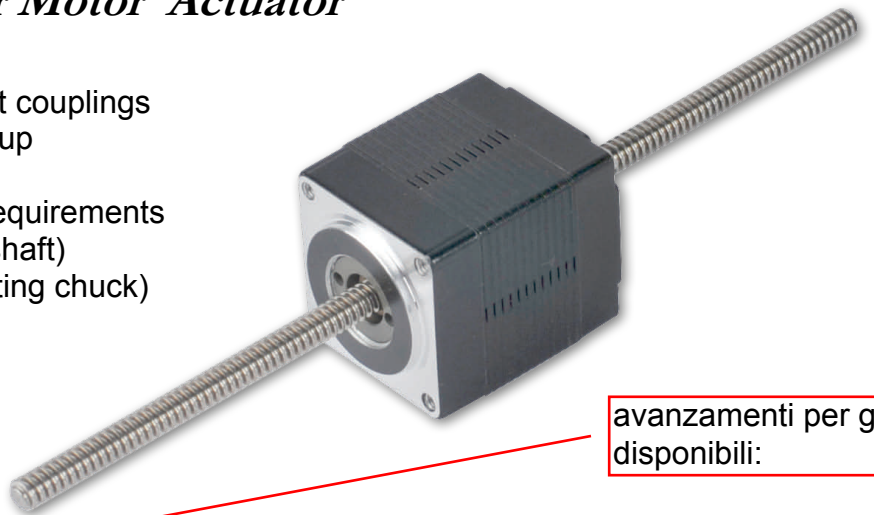


# Linear Actuator Stepper Motor

## PLM Size 11 Stepper Motor Actuator

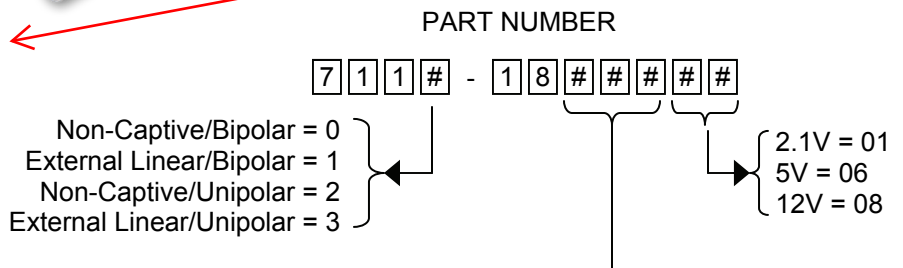
### Features:

- Eliminates additional shaft couplings
- Reduced tolerance stack-up
- Improves performance
- Customizable to unique requirements
- External Linear (rotating shaft)
- Non-captive (internal rotating chuck)



avanzamenti per giro disponibili:

LINEAR TRAVEL (0.188" DIAMETER)	
INCHES (###)	MILLIMETERS
0.000125 (012)	0.003175
0.000250 (025)	0.006250
0.000500 (050)	0.012700
0.001000 (100)	0.024500
0.002000 (200)	0.050800



TECHNOLOGY	Non-Captive or External Linear				
	BIPOLAR			UNIPOLAR	
WIRING					
OPERATING VOLTAGE	2.1 VDC	5 VDC	12 VDC	5 VDC	12 VDC
CURRENT/PHASE	1A	0.42A	0.18A	0.42A	0.18A
INDUCTANCE/PHASE	1.5mH	6.7mH	39mH	3.3mH	19.5mH
POWER CONSUMPTION	4.2W				
ROTOR INERTIA	9gcm <sup>2</sup>				
TEMPERATURE RISE	135°F (75°C) Rise				
WEIGHT	4.2oz. (119g)				
INSULATION RESISTANCE	20MΩ				

*"The Company in Motion"™*

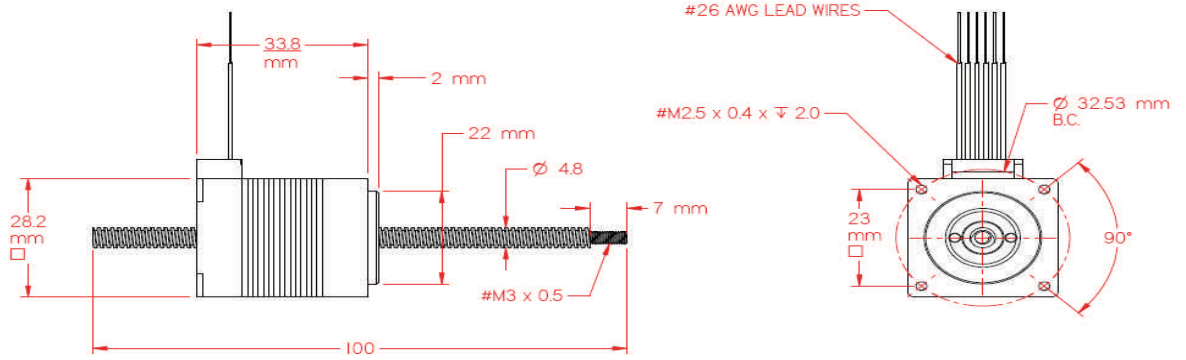
**Pro-Dex, Inc. - OMS**  
 15201 NW Greenbrier Pkwy, B-1  
 Beaverton, Oregon 97006

Phone: 503-629-8081  
 Fax: 503-629-0688  
 E-mail: SalesOR@Pro-Dex.com  
 www.Pro-DexOMS.com

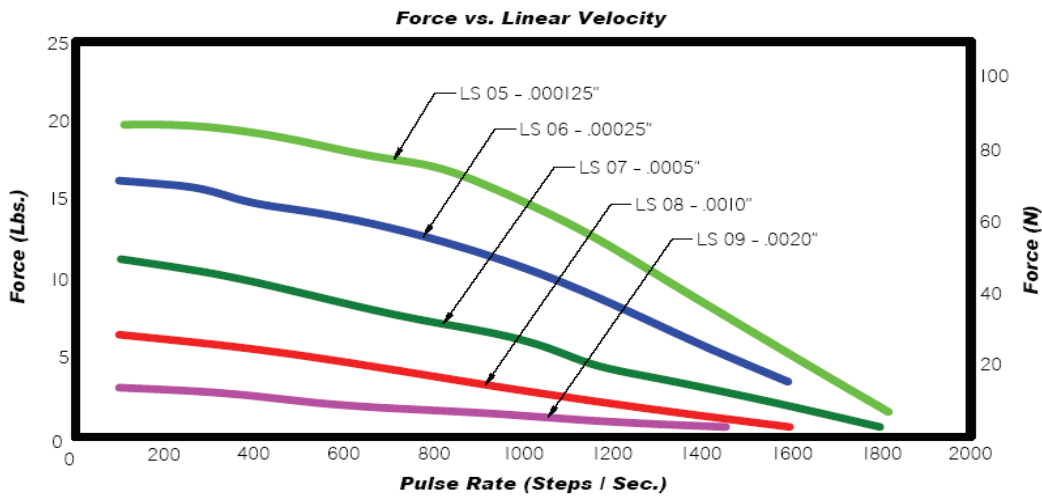
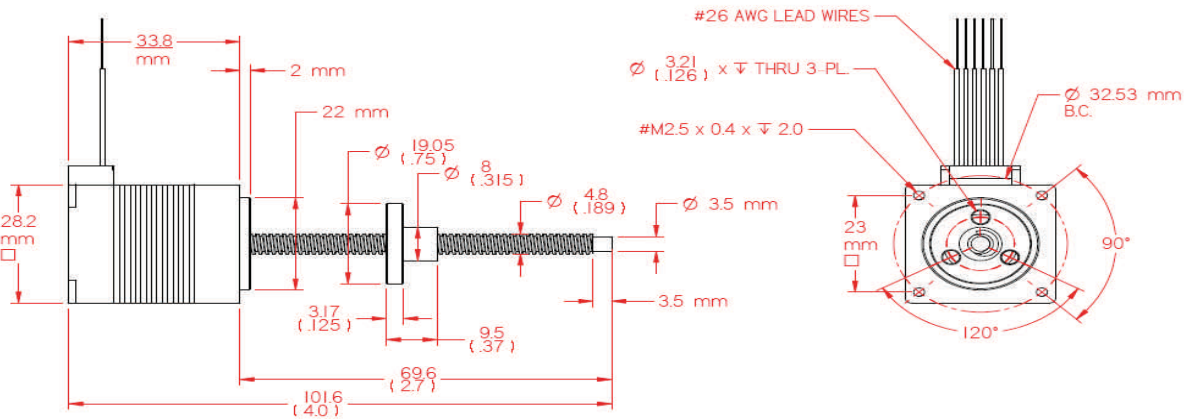


**SIZE 11 NON-CAPTIVE - LINEAR ACTUATOR**

PLM11



**SIZE 11 EXTERNAL - LINEAR ACTUATOR**



**Pro-Dex, Inc. - OMS**  
 15201 NW Greenbrier Pkwy, B-1  
 Beaverton, OR 97006

Phone: 1(800) 707-8111, 503-629-8081  
 Fax: 503-629-0688  
 www.Pro-DexOMS.com



3701-7110000 rev.A