

FACTS | FIGURES | DATA

Pressure reducer V782

V782



FRANK
PREMIUM-QUALITY PLASTIC

Pressure reducer V 782

DN 10 to DN 40



V782 PVDF



V782 PP



V782 PVC

USE

Pressure reducing valves reduce the system pressure to a defined value. Utilising the differential pressure, the pressure reducing valve sets itself to the set operating pressure. There is no direct relationship between the output pressure (operating pressure) and the inlet pressure.

FUNCTION

The output pressure is exerted onto the diaphragm surface through a control bore and counteracts the set spring force. Once balance of pressure has been achieved, the valve closes and keeps the operating pressure constant by doing so. If the pressure decreases at the output side, then the set spring force is greater, and the valve opens until the balance of pressure has once more been achieved.

SPECIAL FEATURES

- All parts that come into contact with the medium are made of highly-resistant plastics
- The control diaphragm separates the actuating drive from the flow section
- The operating pressure is set with an adjustment screw and secured with a lock nut - the setting can also be lead-sealed if desired
- The shape of the housing that assists flow results in good flow values
- Control deviations are kept low by the large control surface and the spiral springs
- No auxiliary energy is required in order to operate the valve
- The valve is largely maintenance-free and can be installed in any position

MATERIALS

Housing	Permissible operating temperature	Diaphragm /seal
PVC	0 to +60 °C	EPDM or EPDM/PTFE -coated/Viton
PP	-10 to +80 °C	EPDM or EPDM/PTFE -coated/Viton
PVDF	-20 to +100 °C	EPDM/PTFE -coated/Viton

TECHNICAL DATA

Type	Size	PN	Adjustment range in bar
V782	DN 10-40	10	0.5 - 9 bar

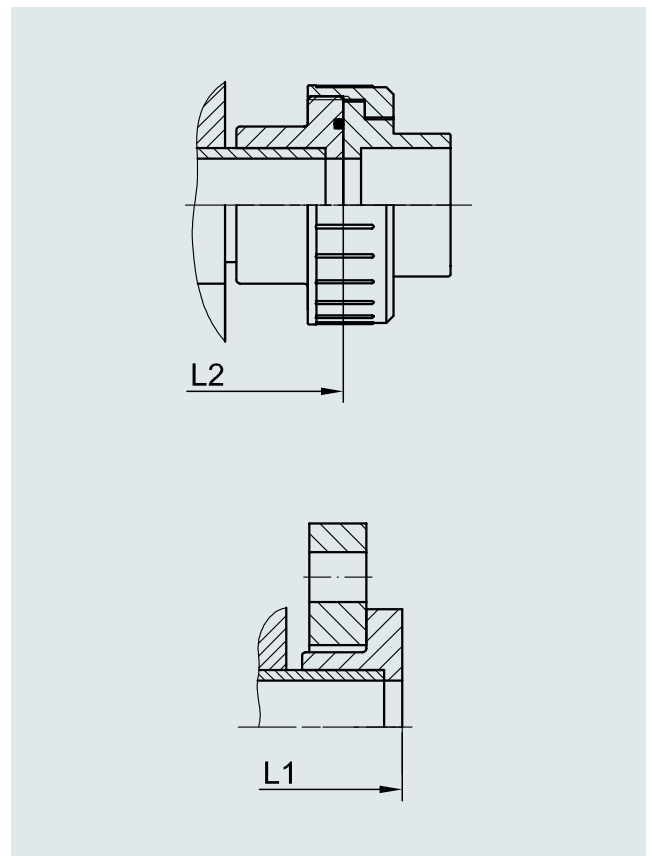
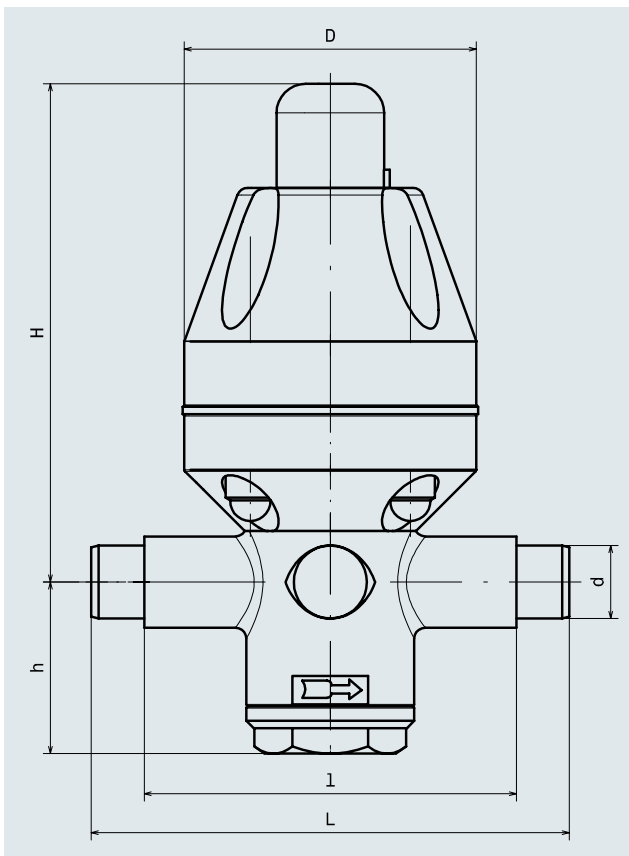
Hystereis max. ~ 0.4 bar

Pressure difference between input and output min. 1 bar

DIMENSIONS IN MM (GUIDELINE VALUES)

d	DN	L	Ls	L1	L2	l	H	h	D
16	10	134	-	140	154	102	138	48	83
20	15	134	172	140	154	102	138	48	83
25	20	154	190	160	174	110	205	65	112
32	25	154	190	160	174	110	205	65	112
40	32	224	262	230	248	162	248	95	165
50	40	224	262	230	252	162	248	95	165

L = standard connection, Ls = IR butt fusion spigot, L1 = with flange, L2 = with screw connection



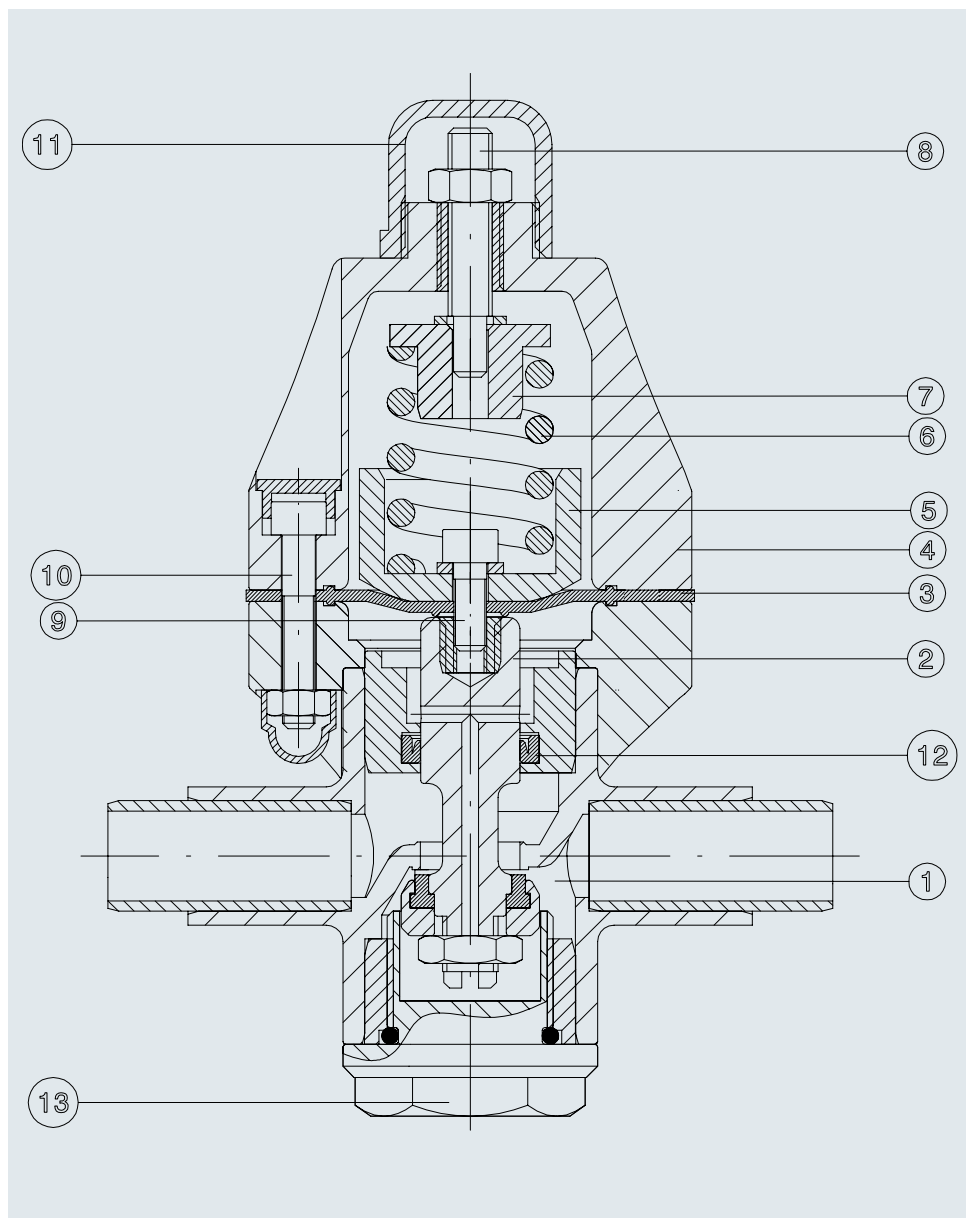
ARTICLE NUMBERS

d	DN	Adjustment range in bar	PVC/EPDM	PVC/PTFE	PP/EPDM IR-spigots	PP/PTFE IR-spigots	PVDF/PTFE IR-spigots
16	10	0.5 - 9	17.001.345	17.002.173	17.001.348	17.002.179	17.001.352
20	15	0.5 - 9	17.001.353	17.002.174	17.001.356	17.002.180	17.001.360
25	20	0.5 - 9	17.001.386	17.002.175	17.001.389	17.002.181	17.001.393
32	25	0.5 - 9	17.001.394	17.002.176	17.001.397	17.002.182	17.001.401
40	32	0.5 - 9	17.001.427	17.002.177	17.001.430	17.002.183	17.001.434
50	40	0.5 - 9	17.001.435	17.002.178	17.001.438	17.002.184	17.001.442

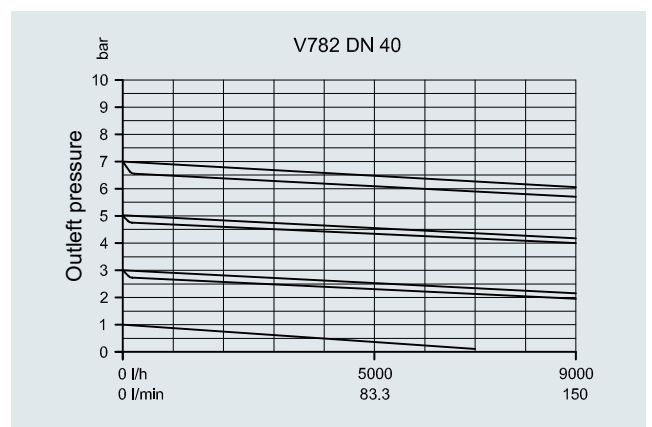
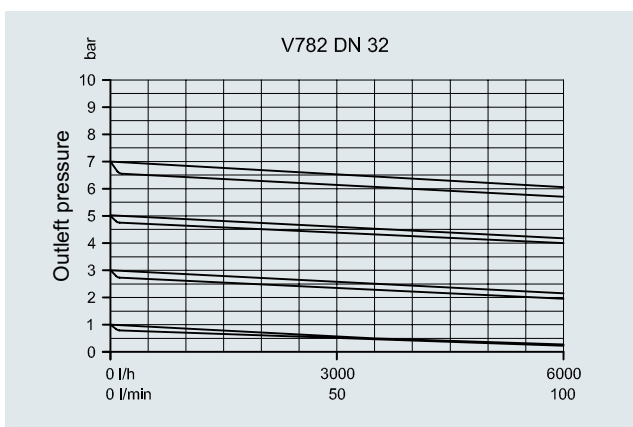
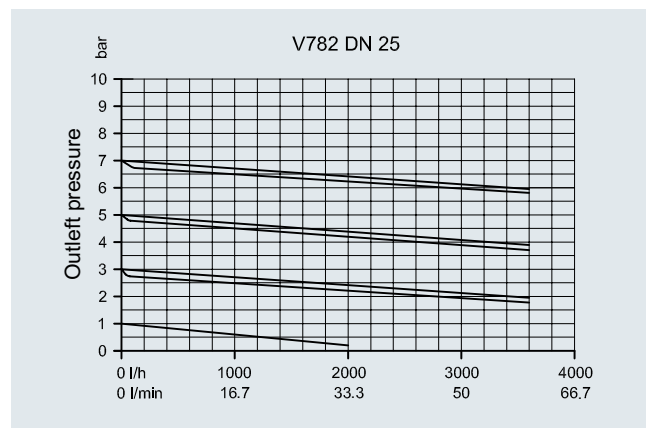
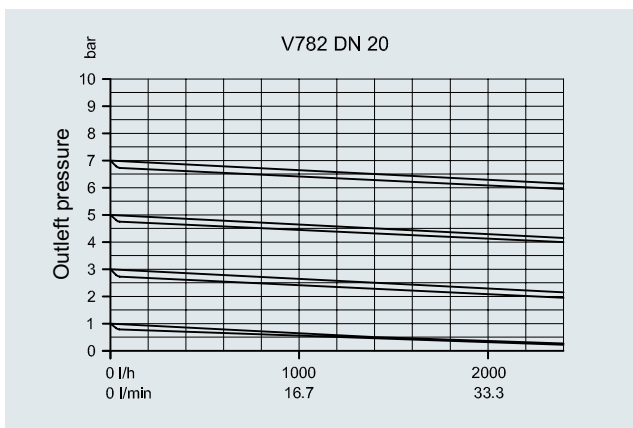
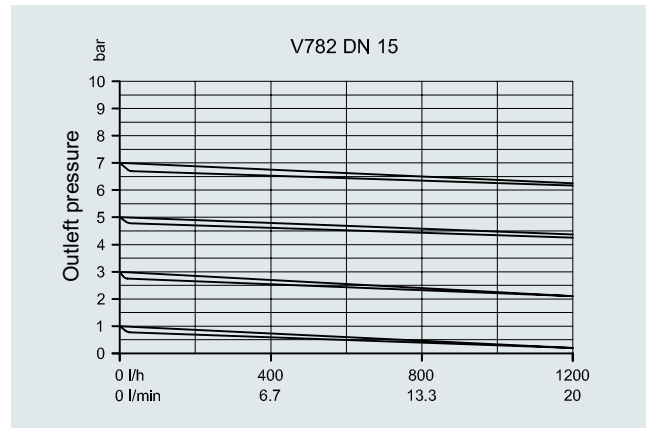
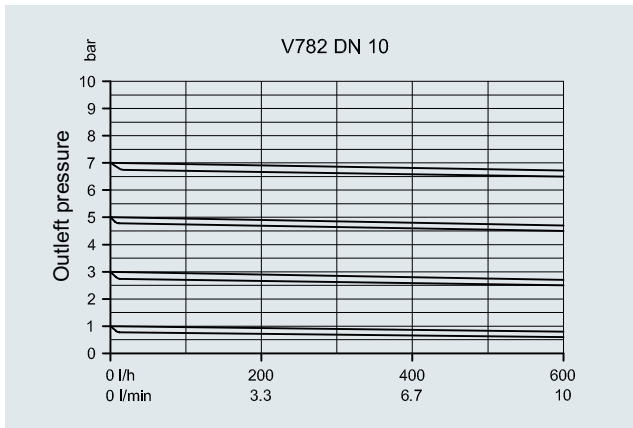
Other materials and connections on request.

INDIVIDUAL PARTS

- Pos. Designation
- 1 Valve lower body
 - 2 Piston, complete
 - 3 Diaphragm
 - 4 Valve upper body
 - 5 Compression plate PP
 - 6 Compression spring
 - 7 Spring plate, aluminium
 - 8 Adjustment screw, complete
 - 9 Hexagon socket screw
 - 10 Hexagon socket screw with nut and cap
 - 11 Cap
 - 12 Lip ring
 - 13 Plug with O-ring



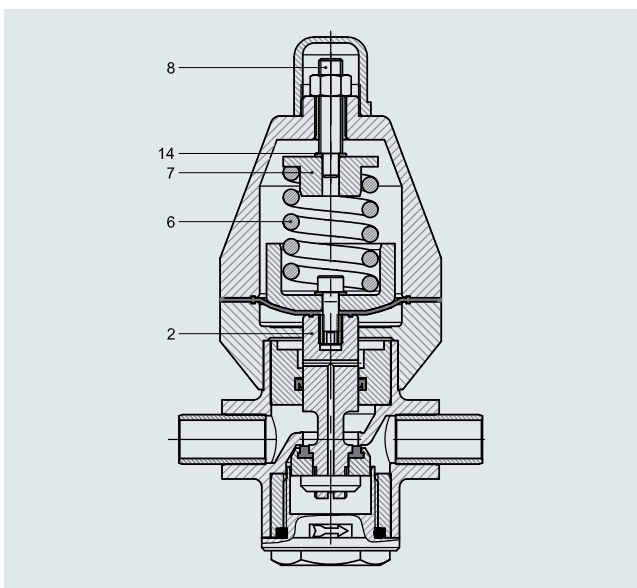
CHARACTERISTIC GRAPHS V782



The characteristic curves on the graphs show the decrease in the set outlet pressure from 0 through to the maximum permissible flow rate. The upper and lower lines plot the course of the opening and closing pressure respectively. All characteristic curves apply to water at a temperature of 20 °C.

SPARE PARTS REGULATOR SET FOR V782 PVC-U/PP/PVDF

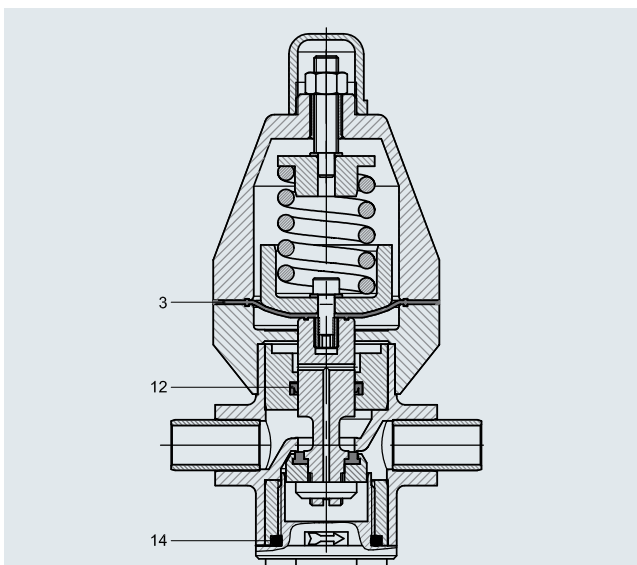
Set consisting of:	DN	PVC/EPDM Article No.	PVC/PTFE Article No.	PP/EPDM Article No.	PP/PTFE Article No.	PVDF/PTFE Article No.
Pos. 2 piston	10/15	17.006.161	17.006.164	17.006.173	17.006.176	17.006.179
Pos. 6 compression spring	20/25	17.006.162	17.006.165	17.006.174	17.006.177	17.006.180
Pos. 7 spring plate	32/40	17.006.163	17.006.166	17.006.175	17.006.178	17.006.181
Pos. 8 adjustment screw						
Pos. 14 washer						



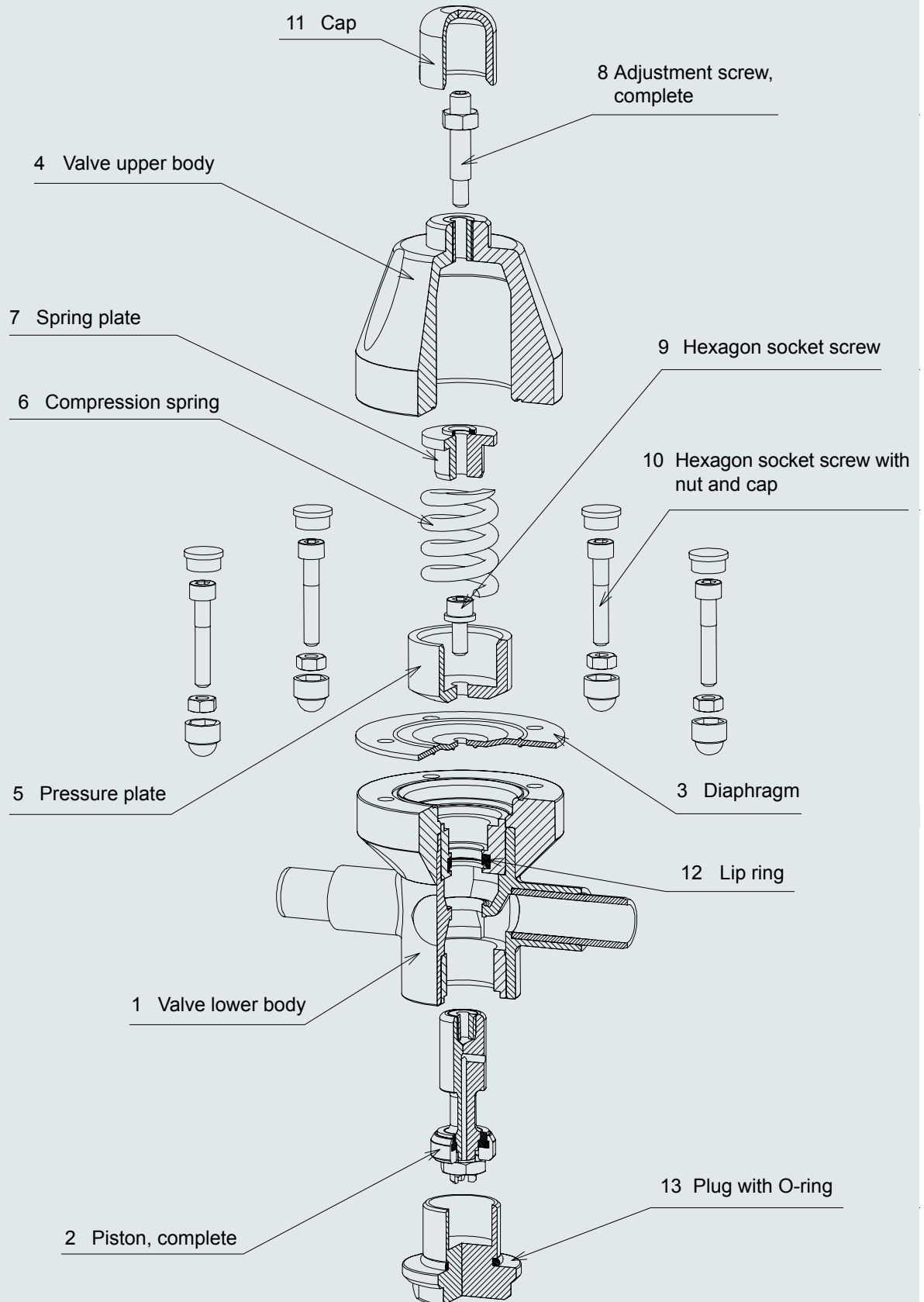
SPARE PARTS SEAL SET FOR V 782 PVC-U / PP / PVDF

Set consisting of:	DN	PVC/EPDM Article No.	PVC/PTFE Article No.	PP/EPDM Article No.	PP/PTFE Article No.	PVDF/PTFE Article No.
Pos. 3 diaphragm	10/15	17.006.167	17.006.170	17.006.167	17.006.170	17.006.170
Pos. 12 lip ring	20/25	17.006.168	17.006.171*	17.006.168	17.006.171*	17.006.171*
Pos. 14 O-ring	32/40	17.006.169	17.006.172*	17.006.169	17.006.172*	17.006.172*

* FPM



PRESSURE REDUCER V 782



V782



FRANK plastic AG

Herbert-Frank-Straße 26 | 72178 Waldachtal | Germany

Tel. +49 (0) 7486 181 0 | Fax +49 (0) 7486 181 337

info@frankplastic.de | www.frankplastic.de