

FACTS | FIGURES | DATA

Pressure retaining valve V786

V786



FRANK
PREMIUM-QUALITY PLASTIC

Pressure retaining valve V 786

DN 10 to DN 40



V 786 PVDF



V 786 PP



V 786 PVC

USE

Pressure retaining valves are normally used where a constant pressure is required in a system. The pressure retaining valve regulates the pressure upstream of the valve to the setpoint value.

FUNCTION

The set spring force presses the piston onto the seal seat. If the system pressure exceeds the operating pressure value, the valve opens.

SPECIAL FEATURES

- All parts that come into contact with the medium are made of highly-resistant plastics
- The control diaphragm separates the actuating drive from the flow section
- The operating pressure is adjusted with an adjustment screw and is secured with a lock nut. The setting can also be lead sealed if required
- The shape of the housing that assists flow results in good flow values
- Control deviations are kept low by the large control surface and the spiral spring
- No auxiliary energy is required in order to operate the valve
- The valve is largely maintenance-free and can be installed in any position

MATERIALS

Housing	Permissible operating temperature	Diaphragm /seal
PVC	0 to +60 °C	EPDM or EPDM/PTFE coated
PP	- 10 to +80 °C	EPDM or EPDM/PTFE coated
PVDF	-20 to + 100 °C	EPDM/PTFE coated

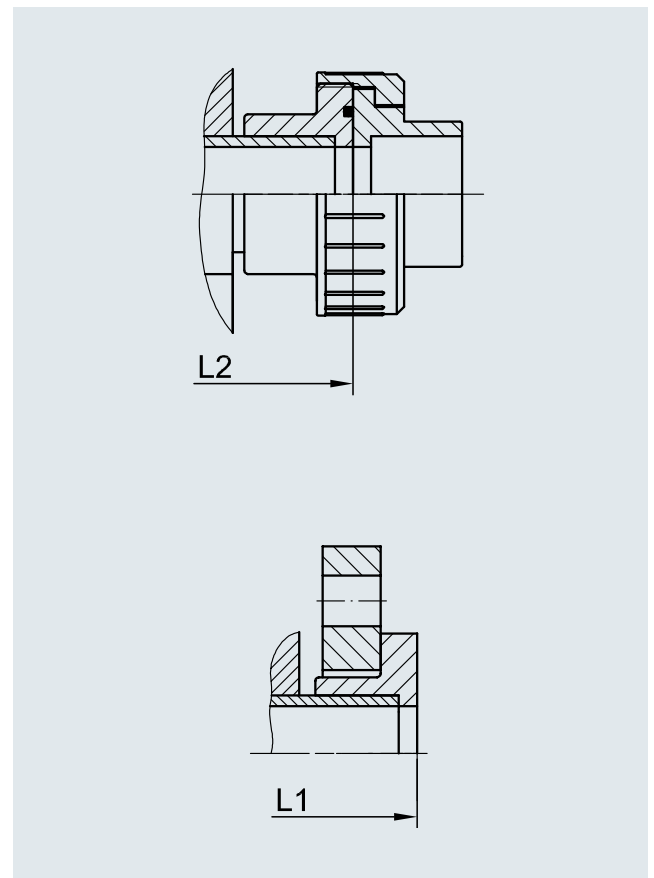
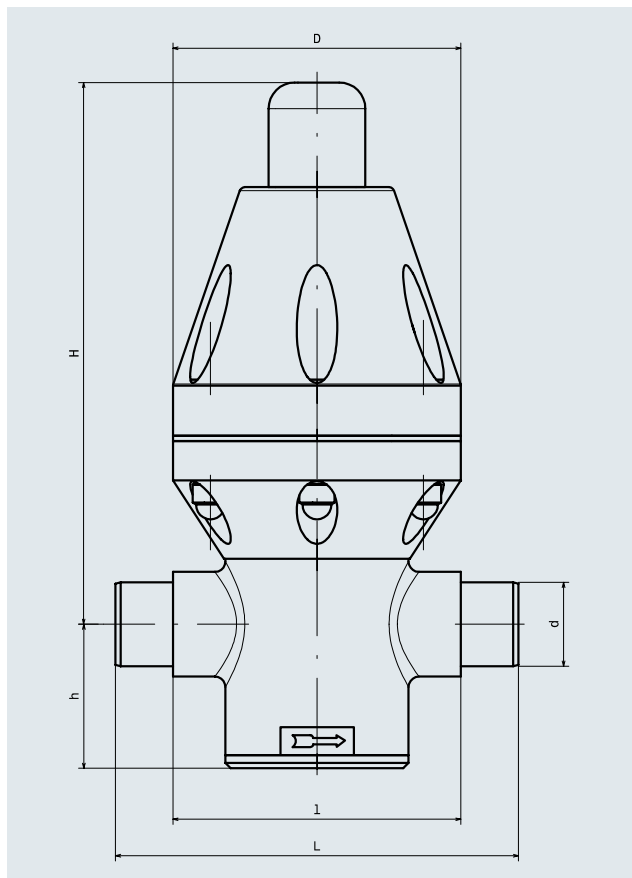
TECHNICAL DATA

Type	Size	PN	Adjustment range in bar
V786	DN 10 -25	10	0.5 - 10 bar
	DN 32 -40	4	0.5 - 4 bar

DIMENSIONS IN MM (GUIDELINE VALUES)

d	DN	L	Ls	L1	L2	l	H	h	D
16	10	134	—	140	154	102	138	38	83
20	15	134	172	140	154	102	138	38	83
25	20	154	190	160	174	110	200	55	112
32	25	154	190	160	174	110	200	55	112
40	32	224	262	230	248	162	248	85	165
50	40	224	262	230	252	162	248	85	165

L = standard connection, Ls = IR butt fusion spigot, L1 = with flange, L2 = with screw connection



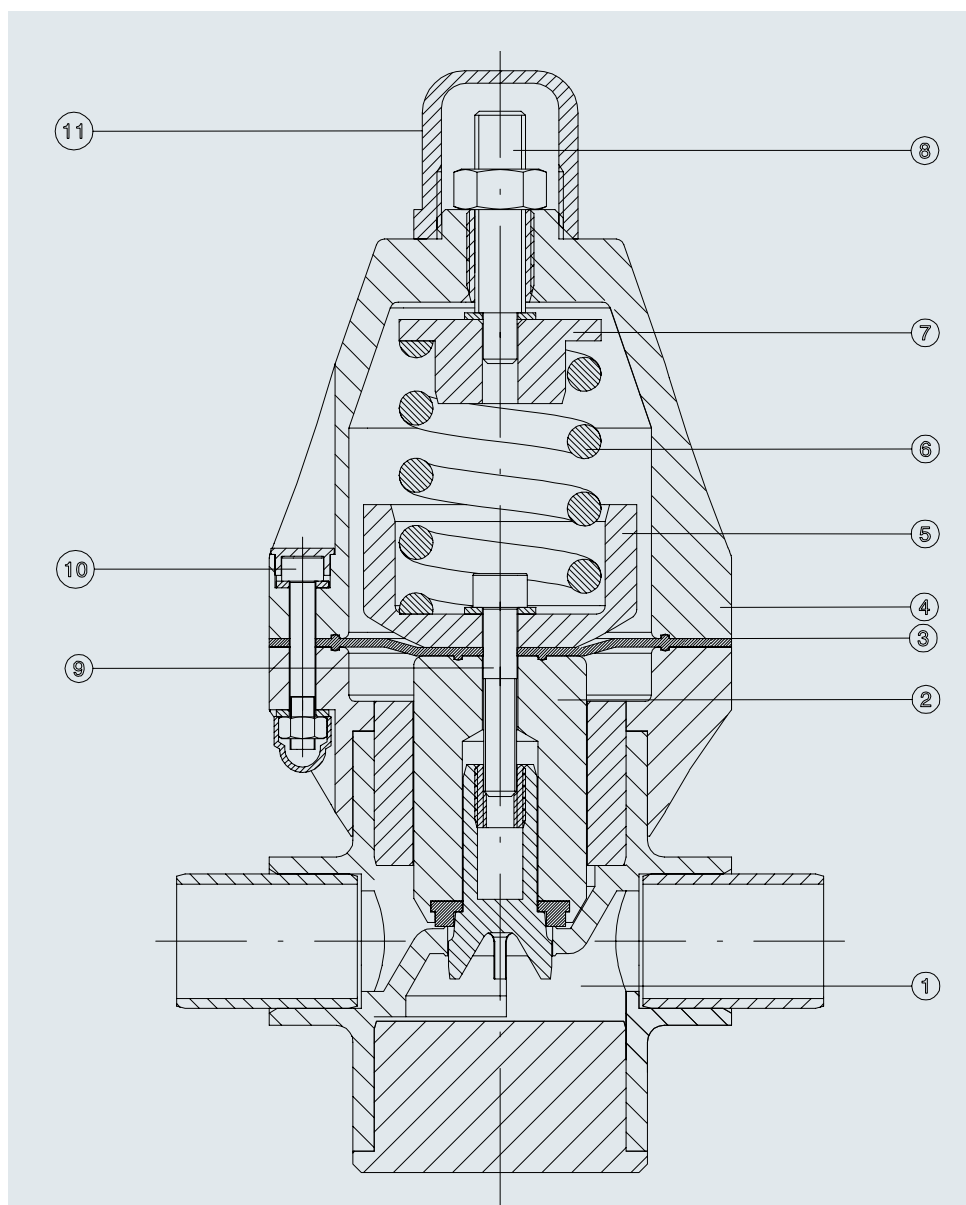
ARTICLE NUMBERS

d	DN	Adjustment range in bar	PVC/EPDM	PVC/PTFE	PP/EPDM IR-spigots	PP/PTFE IR-spigots	PVDF/PTFE IR-spigots
16	10	0.5 - 10	17.001.016	17.002.145	17.000.997	17.002.151	17.000.987
20	15	0.5 - 10	17.001.013	17.002.146	17.000.999	17.002.152	17.000.985
25	20	0.5 - 10	17.001.021	17.002.147	17.001.002	17.002.153	17.000.991
32	25	0.5 - 10	17.001.024	17.002.148	17.001.001	17.002.154	17.000.990
40	32	0.5 - 4	17.001.025	17.002.149	17.001.010	17.002.155	17.000.993
50	40	0.5 - 4	17.001.028	17.002.150	17.001.007	17.002.156	17.000.995

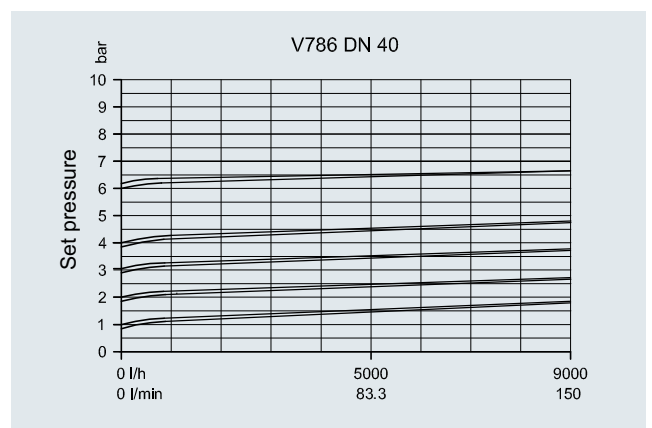
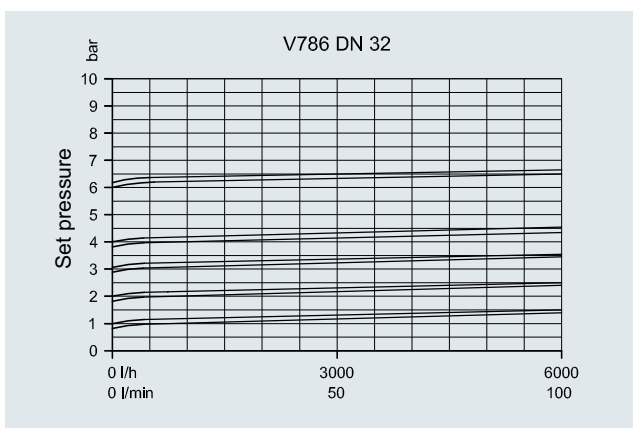
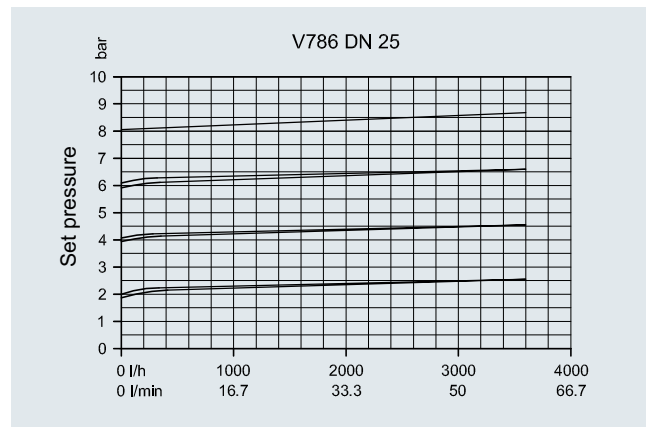
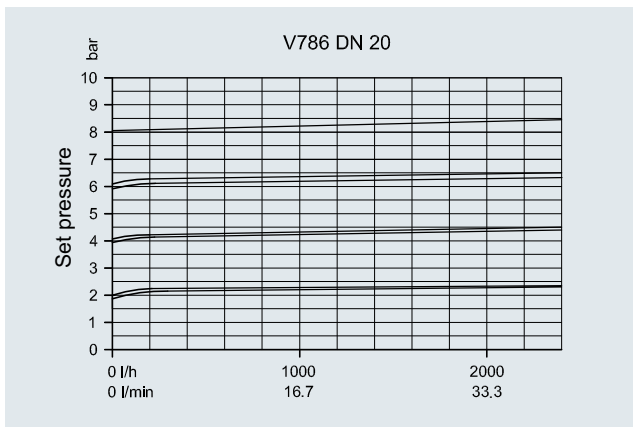
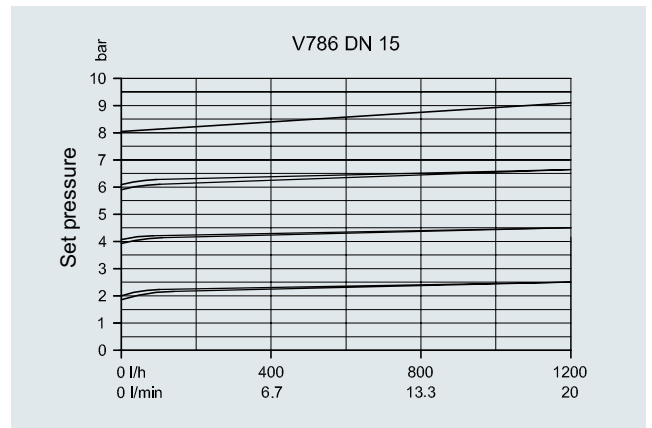
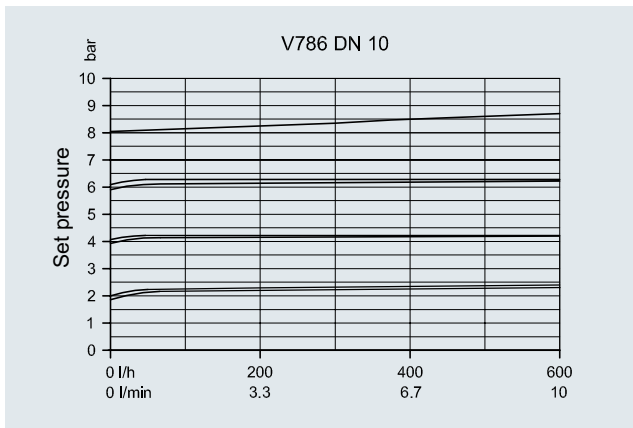
Other materials and connections on request.

INDIVIDUAL PARTS

- Pos. Designation
- 1 Valve lower body
- 2 Piston, complete
- 3 Diaphragm
- 4 Valve upper body
- 5 Compression plate
- 6 Compression spring
- 7 Spring plate
- 8 Adjustment screw, complete
- 9 Hexagon socket screw
- 10 Hexagon socket screw with nut and cap
- 11 Cap



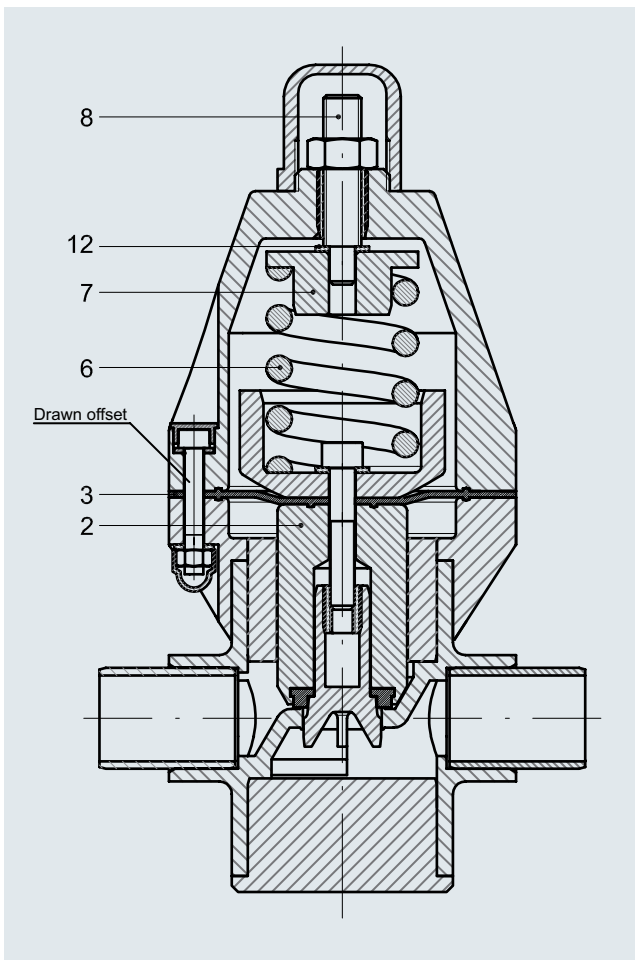
CHARACTERISTIC GRAPHS V786



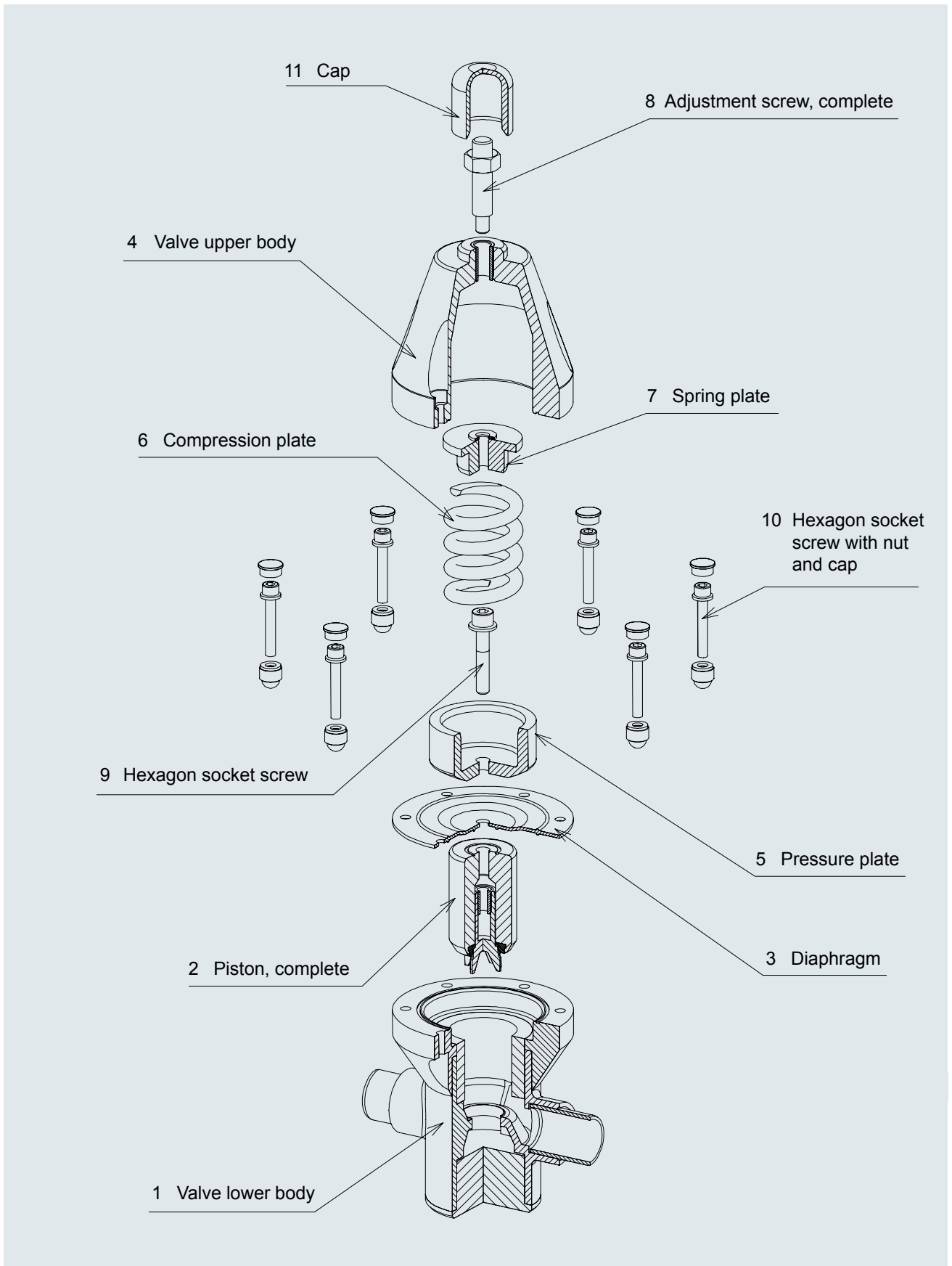
The characteristic curves on the graphs show the increase in the set pressure from 0 through to the maximum permissible flow rate. The upper and lower lines plot the course of the opening and closing pressure respectively. All characteristic curves apply to water at a temperature of 20 °C.

SPARE PARTS SET FOR V 786 PVC-U / PP / PVDF

Set consisting of:	DN	PVC/EPDM Article No.	PVC/PTFE Article No.	PP/EPDM Article No.	PP/PTFE Article No.	PVDF/PTFE Article No.
Pos. 2 piston, complete	10/15	17.006.146	17.006.149	17.006.152	17.006.155	17.006.158
Pos. 3 diaphragm	20/25	17.006.147	17.006.150	17.006.153	17.006.156	17.006.159
Pos. 6 compression spring	32/40	17.006.148	17.006.151	17.006.154	17.006.157	17.006.160
Pos. 7 spring plate						
Pos. 8 adjustment screw						
Pos. 12 washer						



Pressure retaining valve V786



V786



FRANK plastic AG

Herbert-Frank-Straße 26 | 72178 Waldachtal | Germany

Tel. +49 (0) 7486 181 0 | Fax +49 (0) 7486 181 337

info@frankplastic.de | www.frankplastic.de