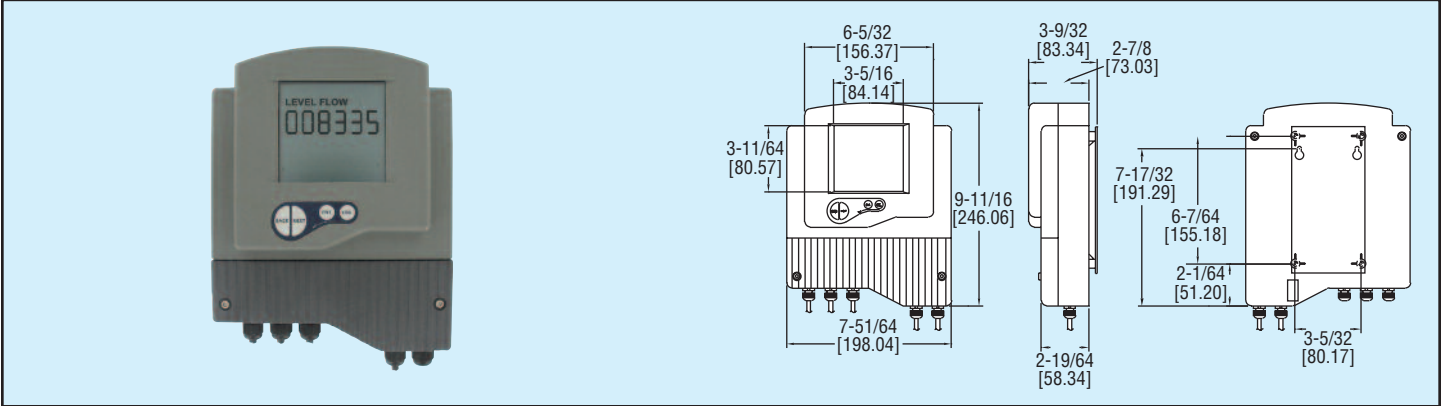




Series
UTC

Ultrasonic Liquid Transmitter & Controller

No Moving Parts, 5 Independent SPDT Relays, Liquid Level & Flow In One



Series UTC Ultrasonic Liquid Transmitter Controller provides reliable, accurate, non-contact measurement of liquid level and open channel flow even under extremely harsh conditions. Overcoming vapors, agitators or light foam, with no moving parts to wear or jam. It supports a full range of process monitoring and storage level measurement applications, such as high process tanks and large storage vessels. The UTC has a 6-digit LCD display and a simple menu structure with multiple indications, making programming simple. Its dual part system allows for the control unit to be located up to 656 ft (200 m) away from sensor (model UTS purchased separately), and installation is simple with included mounting bracket. In addition, this series also supports the Modbus RTU* communication protocol, and offers RS-232 and 4 to 20 mA communications. Featuring five independent SPDT relays and embedded firmware for volume and flow totalization, this series is perfect for liquid level and open channel flow applications.

*Controller only, Series UTS sensor must be purchased in conjunction.
Controller UTC-1XX-XXXX-X compatible with sensor UTS-1XX-XXXX-X only, and controller UTC-2XX-XXXX-X compatible with sensor UTS-2XX-XXXX-X only.

*UTC-1XX-XXX-X modbus read only

Model	Description
UTC-111-111-1	18 to 30 VDC Power Requirement, RS-232
UTC-111-211-1	100 to 240 VAC Power Requirement, RS-232

ⓑ Items are subject to Schedule B discounts.

SPECIFICATIONS

Ranges: (Series UTS Sensor Dependent) 2 to 82 ft (0.6 to 25 m).

Accuracy: 0.25% of max range.

Resolution: 0.04" (1 mm).

Temperature Limits:

UTC-XXX-1XX-X: -40 to 140°F (-40 to 60°C);

UTC-XXX-2XX-X: -4 to 140°F (-20 to 60°C).

Temperature Compensation: Automatic.

Power Requirement:

UTC-XXX-1XX-X: 18 to 30 VDC 6 W;

UTC-XXX-2XX-X: 100 to 240 VAC 50/60 Hz.

Switch Type: 5 SPDT relays.

Electrical Rating: 1 A @ 300 VAC, 1 A @ 150 VDC.

Output Signal: 4 to 20 mA.

Max. Loop Resistance: 750 Ω @ 24 VDC.

Electrical Connections: Screw terminal.

Conduit Connection: 1/2" female NPT, M20 x 2.5 (optional).

Enclosure Material: ECTFE.

Enclosure Rating: NEMA 4X (IP65).

Mounting Orientation: Vertical.

Memory: Non-volatile.

Display: LCD (6 digit).

Units: m, in, ft, m³/hr, GPM interchangeable.

Programming: 4 button.

Weight: (3.5 lb) 1.6 kg.