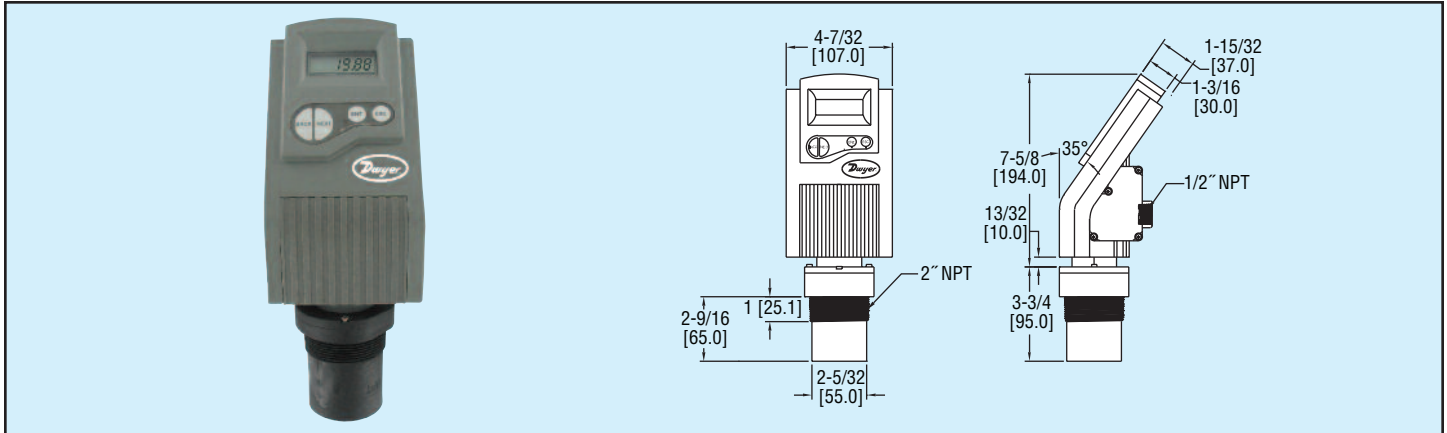




Series
ULL

Ultrasonic Level Transmitter for Liquids

Integrated LCD Display, Non-Contact Level Sensing, Automatic Temperature Compensation



The Series ULL is a direct-install level transmitter designed for non-contact measurement of liquid levels. The ULL utilizes ultrasonic technology paired with automatic temperature compensation to provide reliable and accurate measurements in virtually all conditions. Sophisticated algorithms are used to overcome acoustic interferences and false echoes. An integrated LCD screen and four push buttons allow for quick and easy programming on a simple menu structure. Diagnostic capabilities and a fail-safe output signal make the ULL an essential choice in critical applications.

FEATURES

- Direct installation
- Integral LCD display
- High accuracy (0.25% of max. range)
- Automatic ambient temperature compensation

Model	Description	Max. Range
ULL-1KFN	Ultrasonic Level Transmitter	16.4 ft (5 m)
ULL-2KFN	Ultrasonic Level Transmitter	49.2 ft (15 m)

SPECIFICATIONS

Service: Compatible liquids.

Wetted Materials:

- Sensor: Polypropylene;
- Acoustic window: ECTFE.

Ranges:

- ULL-1XXX: 0.82 to 16.4 ft (0.25 to 5 m);
- ULL-2XXX: 1.96 to 49.2 ft (0.6 to 15 m).

Accuracy: 0.25% of max. range (at 20°C).

Resolution: 0.04" (1 mm).

Blind Zone:

- ULL-1XXX: 0.8' (0.25 m);
- ULL-2XXX: 1.96' (0.6 m).

Beam Angle: 5° @ 3 db point.

Temperature Limits: -40 to 158°F (-40 to 70°C).

Temperature Compensation: Automatic.

Pressure Limits: 13.5 to 30 psi (0.9 to 2 bar).

Power Requirement: 18 to 28 VDC.

Output Signal: 4 to 20 mA.

Loop Resistance: Max. 727 Ω @ 28 VDC.

Electrical Connections: Screw terminal.

Conduit Connection: 1/2" NPT, cable gland (optional).

Process Connection: 2" NPT, 2" BSP (optional).

Enclosure: Plastic enclosure: ABS & UV resistant body.

Enclosure Rating: NEMA 4 (IP65).

Mounting Orientation: Vertical.

Fail-safe: 3 min delay before transmission of an error signal.

Memory: Non-volatile.

Display: 4 digit LCD.

Units: ft, m (optional).

Programming: 4 button.

Weight: 3.1 lb (1.4 kg).