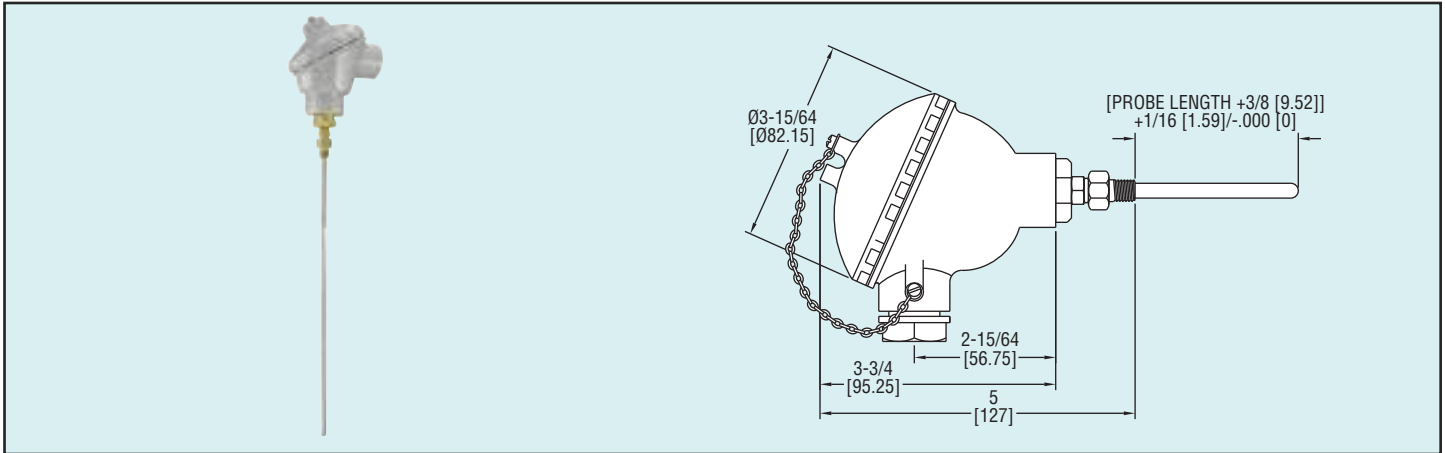




Series
TTW

Weatherproof Immersion Temperature Transmitter

Pt100 RTD, PC Programmable Transmitter



The Series TTW Immersion Temperature Transmitter combines three popular products into a single package. Our TBU series head mounted temperature transmitter is factory mounted into our A-709 enclosure. A Pt100 RTD version of our TE series is wired to the transmitter, giving insertion lengths up to 18". Each transmitter is factory programmed and calibrated to output a 4 to 20 mA signal proportional to the 32 to 212°F (0 to 100°C) temperature range.

| Model | Probe Length |
|---------|--------------|
| TTW-104 | 4" |
| TTW-106 | 6" |
| TTW-108 | 8" |
| TTW-112 | 12" |
| TTW-118 | 18" |

Thermowells

| Model | Length | Connection (Internal/ External) (NPT) |
|-----------------|--------|---------------------------------------|
| TE-TNS-N044N-14 | 4" | 1/4" / 1/2" |
| TE-TNS-N064N-14 | 6" | 1/4" / 1/2" |
| TE-TNS-N094N-14 | 9" | 1/4" / 1/2" |
| TE-TNS-N124N-14 | 12" | 1/4" / 1/2" |

ACCESSORY

TBV-90, Programming Cable and Software

SPECIFICATIONS

Temperature Sensor

Accuracy: DIN Class B: $\pm 0.3^{\circ}\text{C}$ @ 0°C ($\pm 0.54^{\circ}\text{F}$ @ 32°F).

Temperature Limits: Operating: -40 to 302°F (-40 to 150°C).

Sensor Curves: Pt100 RTD (TE Series Curve D).

Temperature Transmitter

Input Range: -328 to 986°F (-200 to 530°C).

Output: Two-wire 4 to 20 mA.

Output Impedance: $600\ \Omega$ @ 24 VDC.

Power Requirements: 12 to 35 VDC.

Accuracy: $\pm 0.2\%$ FS.

Temperature Limits: -40 to 185°F (-40 to 85°C).

Response Time: < 100 msec.

Enclosure

Temperature Limits: -40 to 212°F (-40 to 100°C).

Rating: NEMA 4X (IP65).

Material: Painted aluminum housing.

TEMPERATURE

Temperature Transmitters