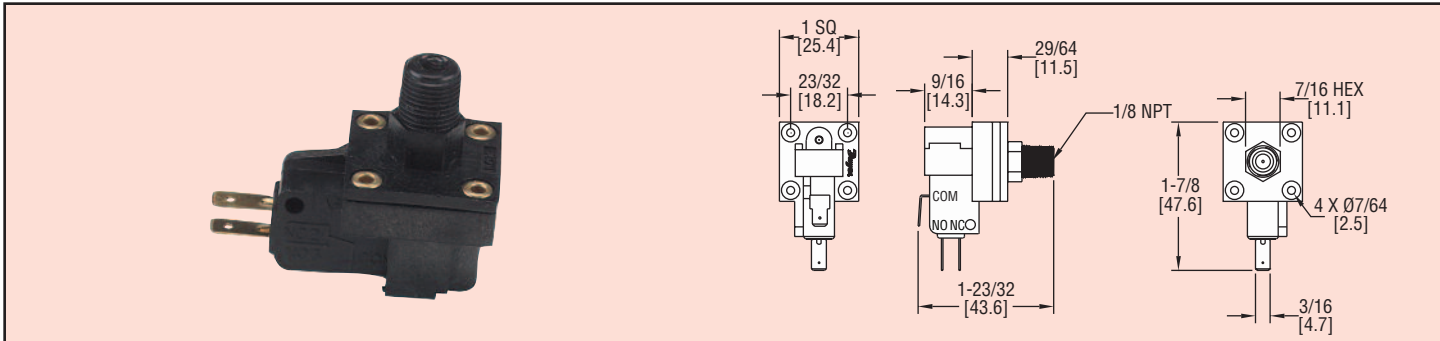




Series
MHS

Miniature High Sensitivity Pressure Switch

SPDT N/O or N/C Switch, Adjustable Set Points from 3 in H₂O to 60 PSI



The Series MHS Miniature High Sensitivity Pressure Switch offers a wide range of field adjustable pressure set point options. The compact switch can be used with air or other compatible fluids. Ideal application is for turning pumps and compressors on and off when levels change. The Series MHS models offer a variety of electrical ratings to suit application needs. The switch is easy to install and easy to adjust, with a long mechanical life of over 10 million cycles.

| Model | Set Point in H ₂ O (mbar) | |
|-------|--------------------------------------|-----------|
| | Minimum | Maximum |
| MHS-1 | 3 (7.5) | 10 (25) |
| MHS-2 | 10 (25) | 28 (69) |
| MHS-3 | 28 (69) | 111 (276) |

SPECIFICATIONS

- Service:** Air or compatible fluids.
- Wetted Materials:**
 - Enclosure: polycarbonate;
 - Diaphragm: polyurethane.
- Temperature Limits:** 40 to 150°F (4 to 66°C).
- Pressure Limits:** Up to maximum range.
- Repeatability:** ±20%.
- Switch Type:** SPDT normally open or normally closed.

- Electrical Rating:** MHS-1: 3A; MHS-2: 10A; MHS-3, -4, -5: 15A, 125/250 VAC.
- Contacts:** Silver with brass terminals.
- Electrical Connections:** Terminals 0.187" x 0.20" spade for use with quick disconnects.
- Process Connections:** All models 1/8" NPT port.
- Mounting:** Use #2 screws through eyelets.
- Weight:** 0.71 oz (20 g).
- Agency Approval:** cUL, UL.